

FireStar Store #4950 NEWCOMB OIL CO., LLC.

38 DEAD READY LANE
LEBANON KY 40033

ARCHITECT:

KEYES ARCHITECTS AND ASSOCIATES
4717 PRESTON HIGHWAY
LOUISVILLE, KENTUCKY 40213
PH: (502) 636-5113
CONTACT: HAROLD COOPER, PROJECT MANAGER
EMAIL: HCOOPER@KEYESARCHITECTS.COM
ARCHITECT: CHARLES J. KEYES III

GENERAL CONTRACTOR:

BCD, INC.
1962 FILIATREAU LANE
BARDSTOWN, KENTUCKY 40004
PH: (502) 348-2305
WEB: www.bcdinc.com
EMAIL:

MEP ENGINEERS

CMTA Engineering Consultants
10411 MEETING STREET
PROSPECT, KENTUCKY 40059
PH: (502) 326-3085
WEB: cmtaengrs.com
EMAIL:

OWNER

NEWCOMB OIL COMPANY, LLC.
951 WITHROW CT.
BARDSTOWN, KENTUCKY 40004
PH: (502) 348-3961

CONSULTING ENGINEER

RICHARD BARRIOS
10202 WORTHINGTON LANE
PROSPECT, KENTUCKY 40059
PH: (502) 873-5741
RICHARD BARRIOS
EMAIL: rbarrios6@att.com



PROJECT INFORMATION

APPLICABLE BUILDING CODES
BUILDING CODE IBC 2015 / KBC 2018
ACCESSIBILITY CODE ADA 2010 / ANSI 2009
ENERGY CODE IECC 2012

USE AND OCCUPANCY: M - MERCANTILE

CONSTRUCTION TYPE: V-B

BUILDING INFORMATION

BUILDING: 5,000 s.f.
TOTAL BUILDING SIZE: 5,000 s.f.
FIRE SUPPRESSION: NONE

OCCUPANCY ALLOWANCE

FUNCTION OF SPACE	ALLOWANCE	AREA	OCCUPANCY
MERCANTILE	60 GROSS	5,000	83
TOTAL OCCUPANCY ALLOWANCE:			83

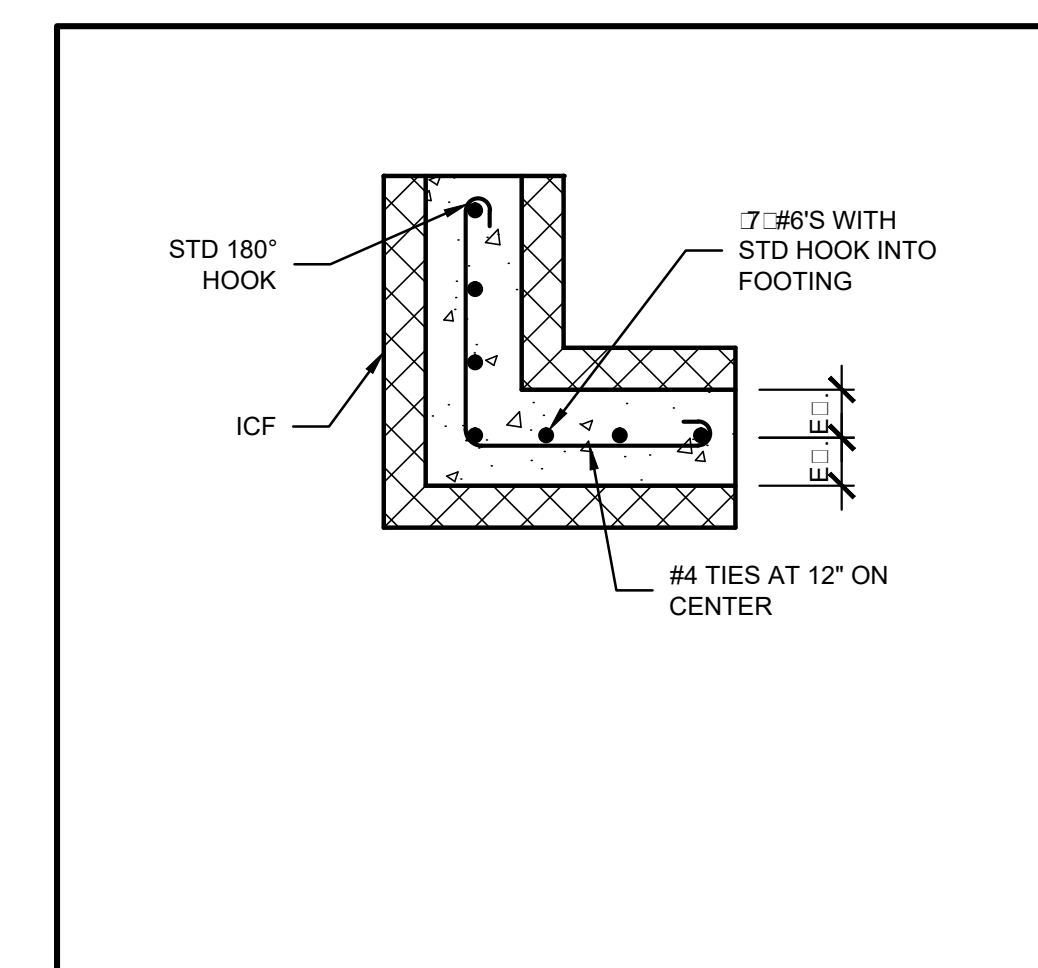
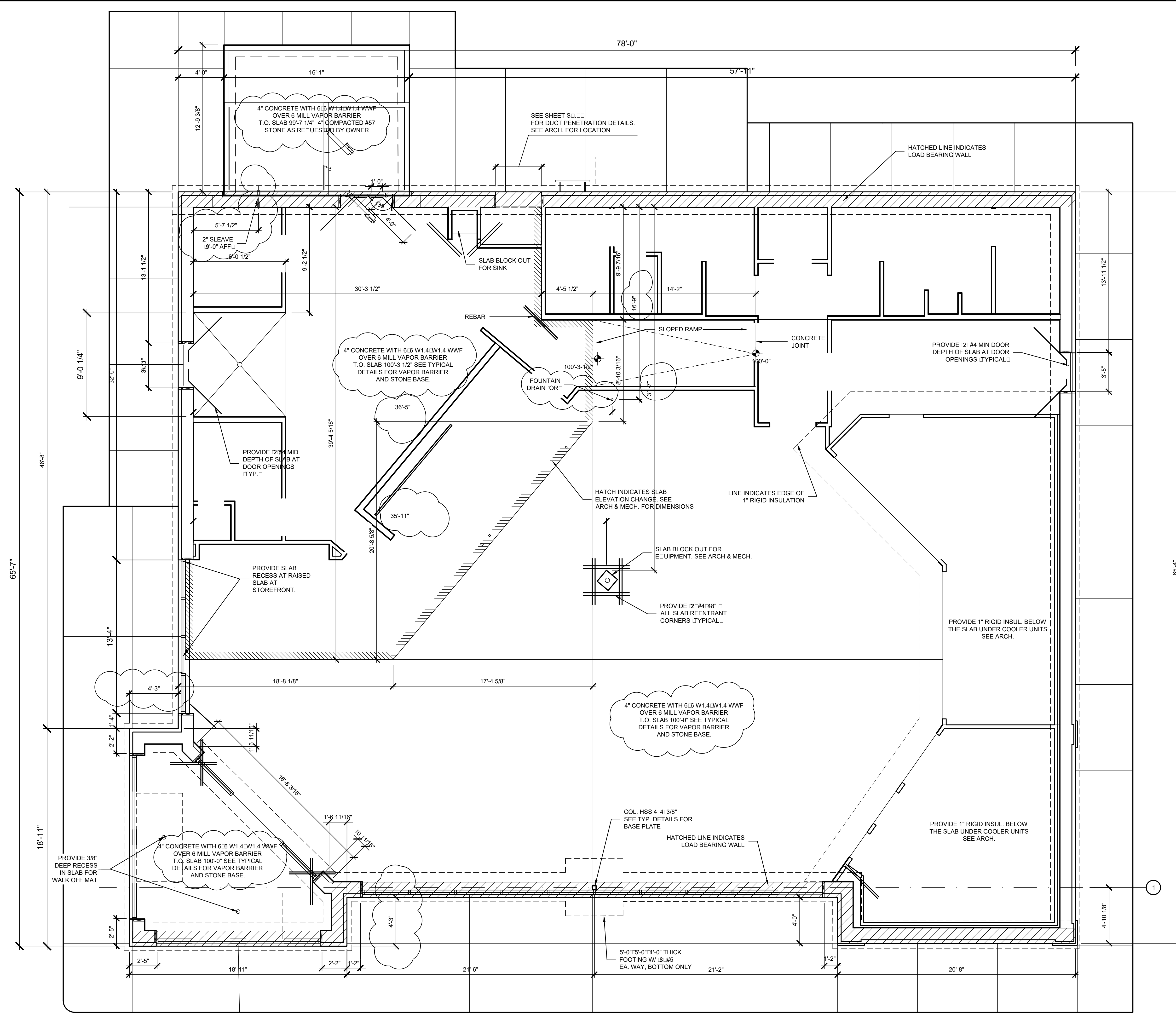
REVISIONS:

NO.	DATE	DESCRIPTION
△	00-00-00	

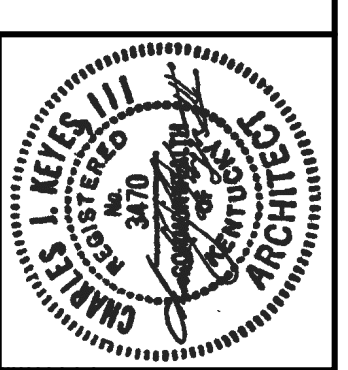
Sheet List Table

Sheet Number	Sheet Title
T1.01	Title Sheet
Foundation Plans & Details	
F1.01	Foundation Plan
F2.01	Foundation Details
Structural	
S1.01	General Notes
S1.02	Structural Details
S1.03	Structural Details
S1.04	Low Roof Plan
S1.05	Structural Misc. Details
S1.06	Structural Sections & Details
S1.07	Structural Sections & Details
S3.01	Structural Sections & Details
Floor Plans	
A1.01	Floor Plan
A1.02	Dimension Floor Plan
A1.03	Equipment & Casework Plan
A1.04	Finish Plan
A1.05	Reflected Ceiling Plan
A1.06	Roof Plan
Interior Elevations	
A2.01	Interior Elevations
A2.02	Interior Elevations
A2.03	Interior Elevations
A2.04	Interior Elevations
A2.05	Interior Elevations
A2.06	Interior Elevations
Schedules and Standards	
A3.03	Schedules
A3.04	Schedules
Details & Sections	
A5.01	Building Sections
A5.03	Wall Sections & Details
A5.04	Wall Sections & Details
A5.05	Wall Sections & Details
A5.06	Wall Sections & Details
A5.07	Wall Sections & Details
A5.08	Wall Sections & Details

Mechanical	
M1.01	Mechanical Legend & Schedules
M2.01	Floor Plan
M3.01	Mechanical Sections and Details
Electrical	
E1.00	Electrical Legend & Details
E2.00	Electrical Lighting
E3.00	Electrical Power & Systems
E4.00	Electrical Riser Diagram
E5.00	Electrical Schedules
Plumbing	
P1.01	Plumbing Legend & Details
P2.01	Floor Plan - Sanitary, Waste & Vent
P2.02	Floor Plan - Water & Gas
Specifications	
SP1.01	Specifications
SP1.02	Specifications
SP1.03	Specifications
SP1.04	Specifications



NOTE: GENERAL CONTRACTOR RESPONSIBLE FOR COORDINATION OF ALL SUB TRADES AND REQUIREMENTS BY OWNER
NOTE: ELECTRICAL, HVAC AND PLUMBING TO BE RELOCATED PER FEDERAL, STATE AND LOCAL CODES. GENERAL CONTRACTOR TO COORDINATE.



KEYES ARCHITECTS & ASSOCIATES
 4717 PRESTON HIGHWAY
 LOUISVILLE, KENTUCKY 40213 (502) 636-5113

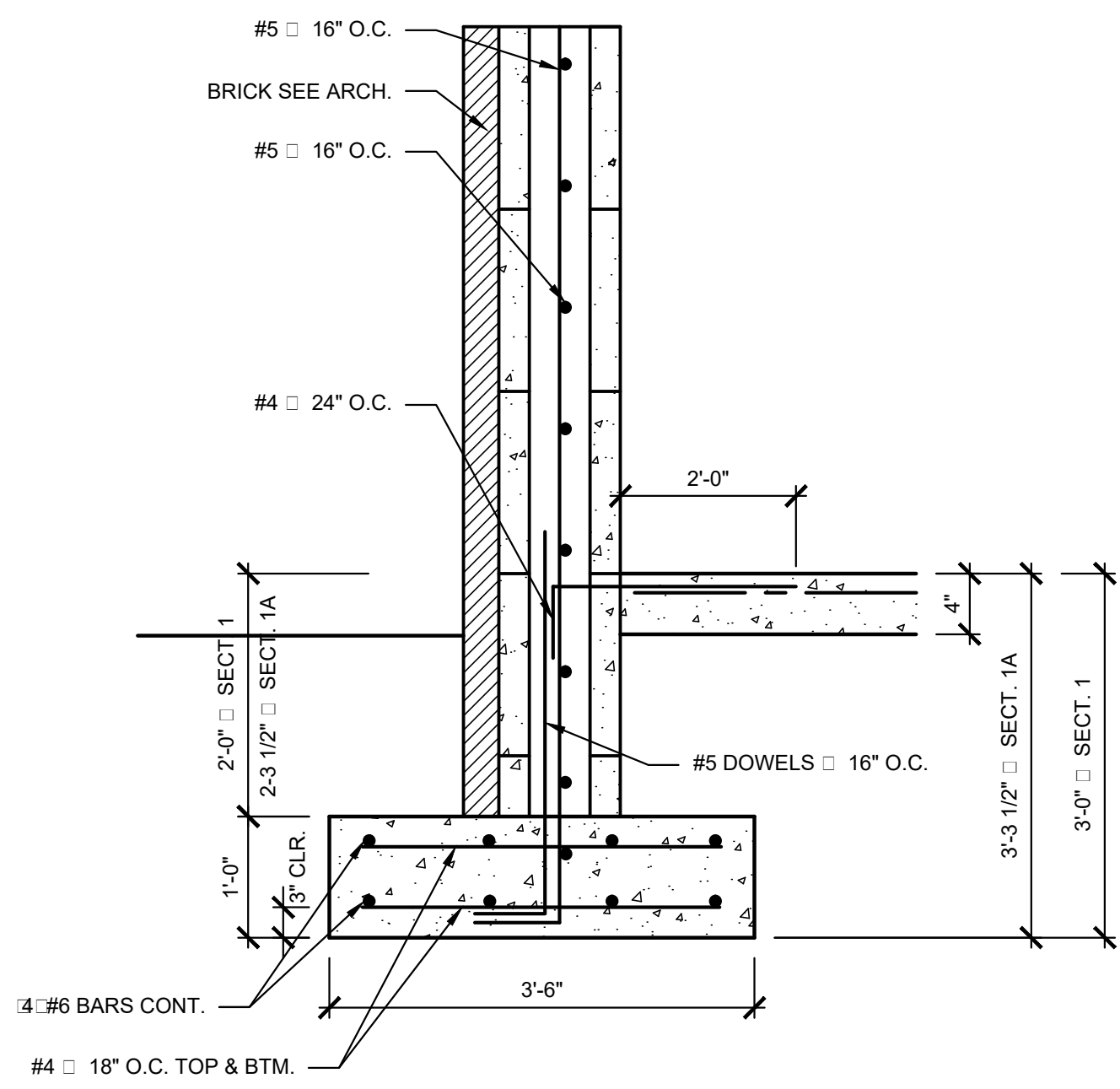
NEWCOMB OIL CO., LLC.
 38 DEAD READY LANE
 LEBANON KY 40033

PROJECT: NEWCOMB OIL CO., LLC. - FILE: F1.01 Foundation Plan.dwg - DATE: Jan 25, 2021 8:30AM - BY: HAROLD CO.

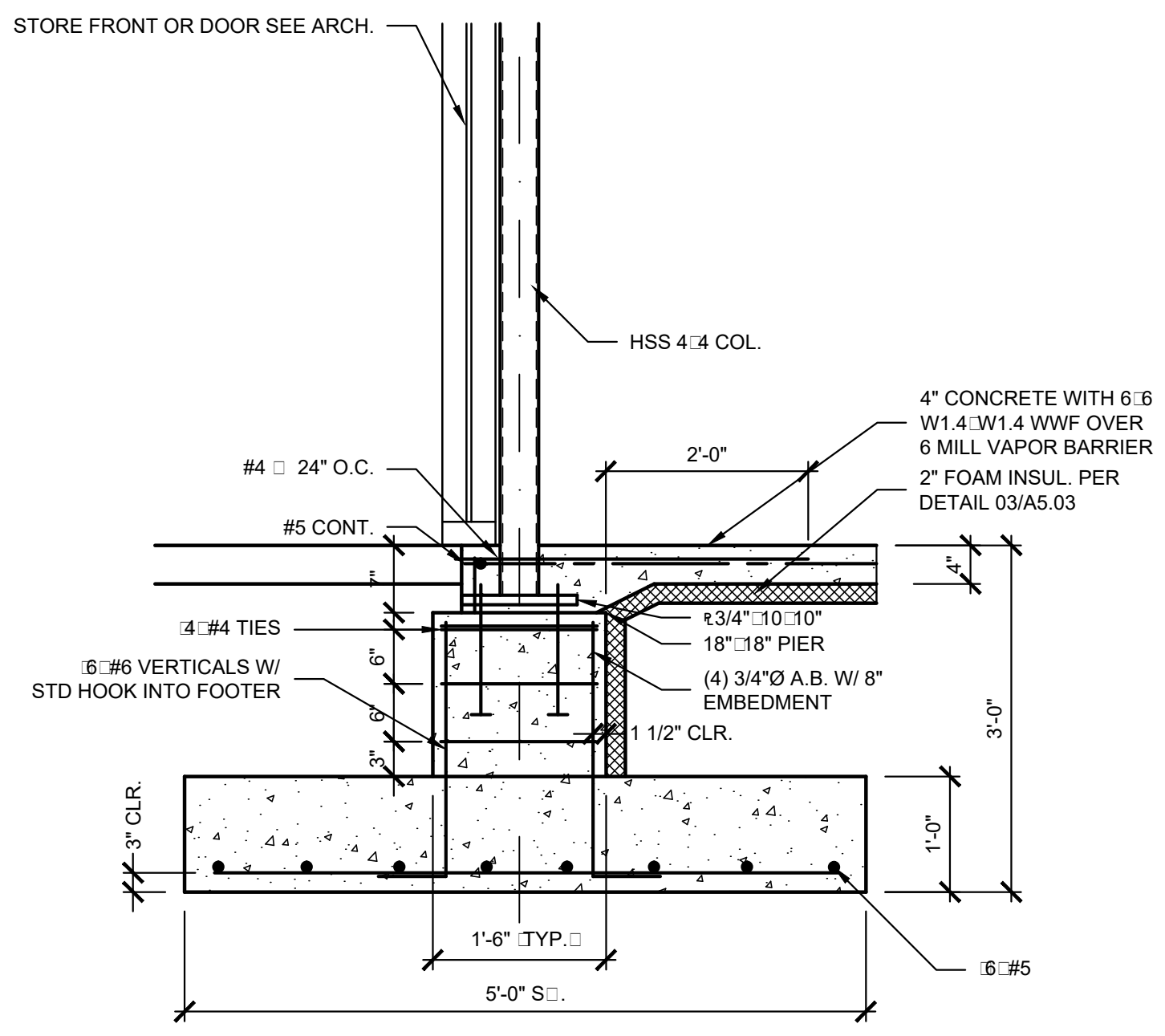


KEYES ARCHITECTS & ASSOCIATES
4717 PRESTON HIGHWAY
LOUISVILLE, KENTUCKY 40213 (502) 636-5113

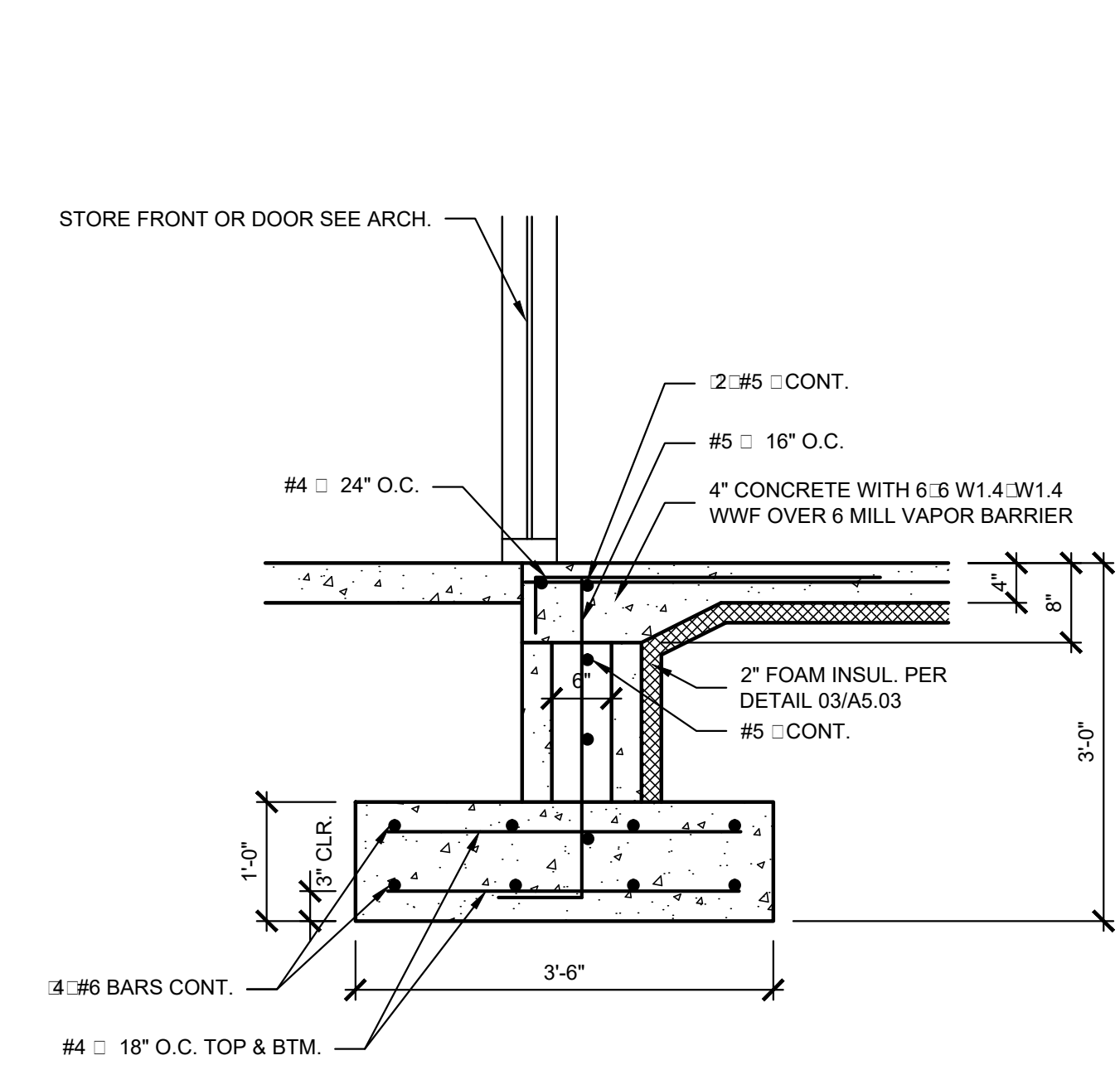
NEWCOMB OIL CO., LLC.
38 DEAD READY LANE
LEBANON KY 40033



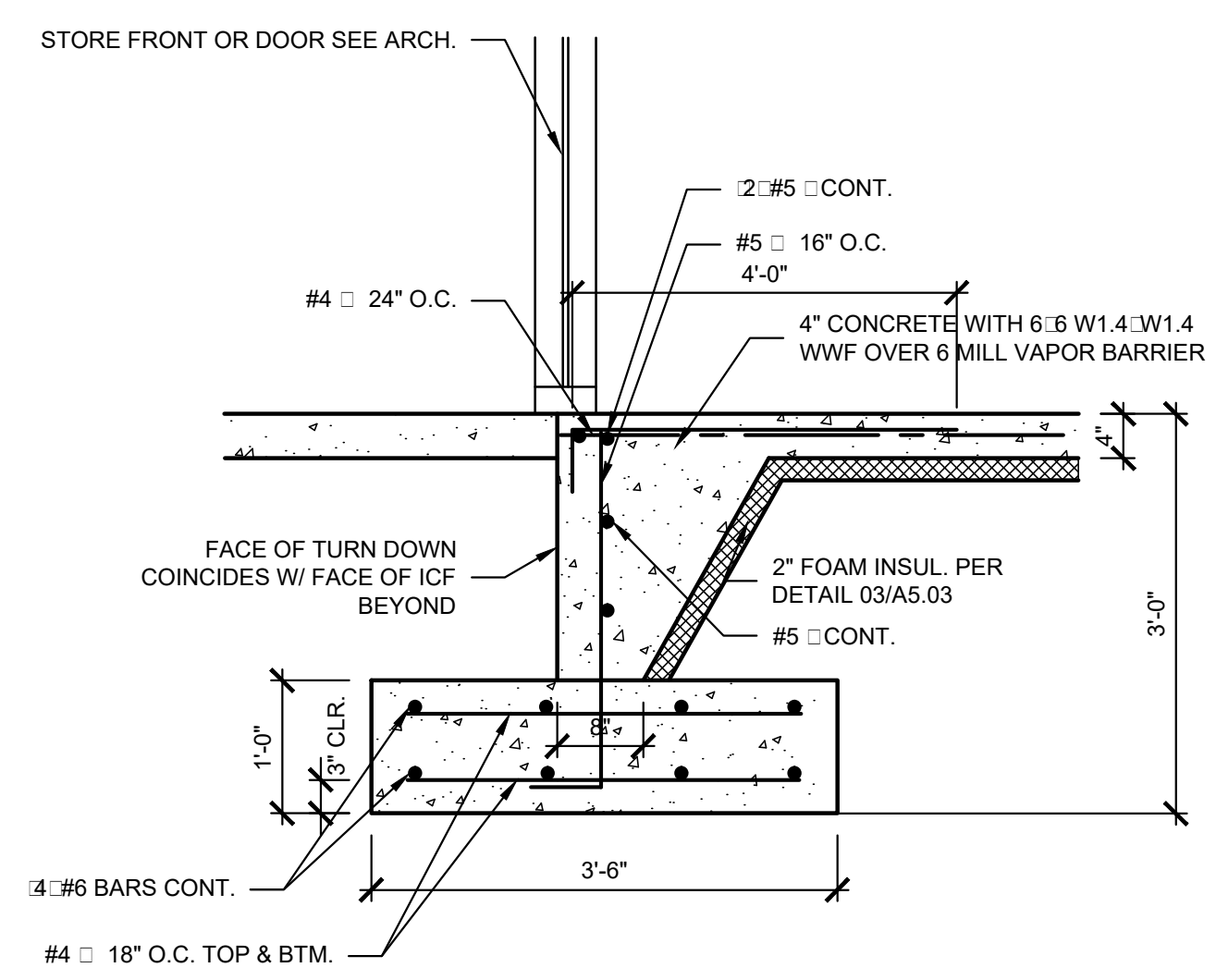
01/01A SECTION
SCALE: 3/4" = 1'-0"



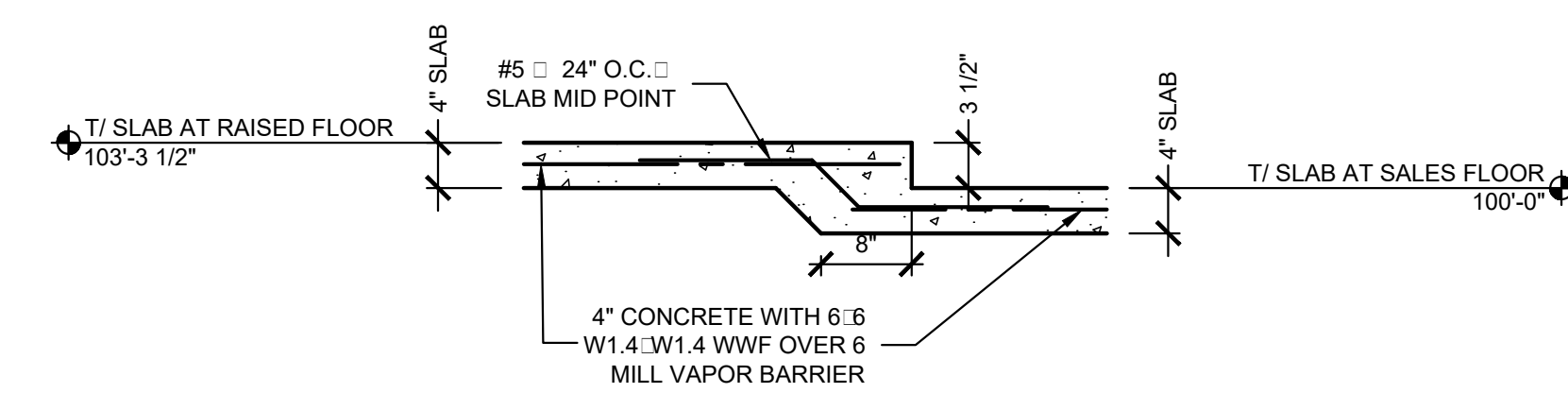
02 SECTION
SCALE: 3/4" = 1'-0"



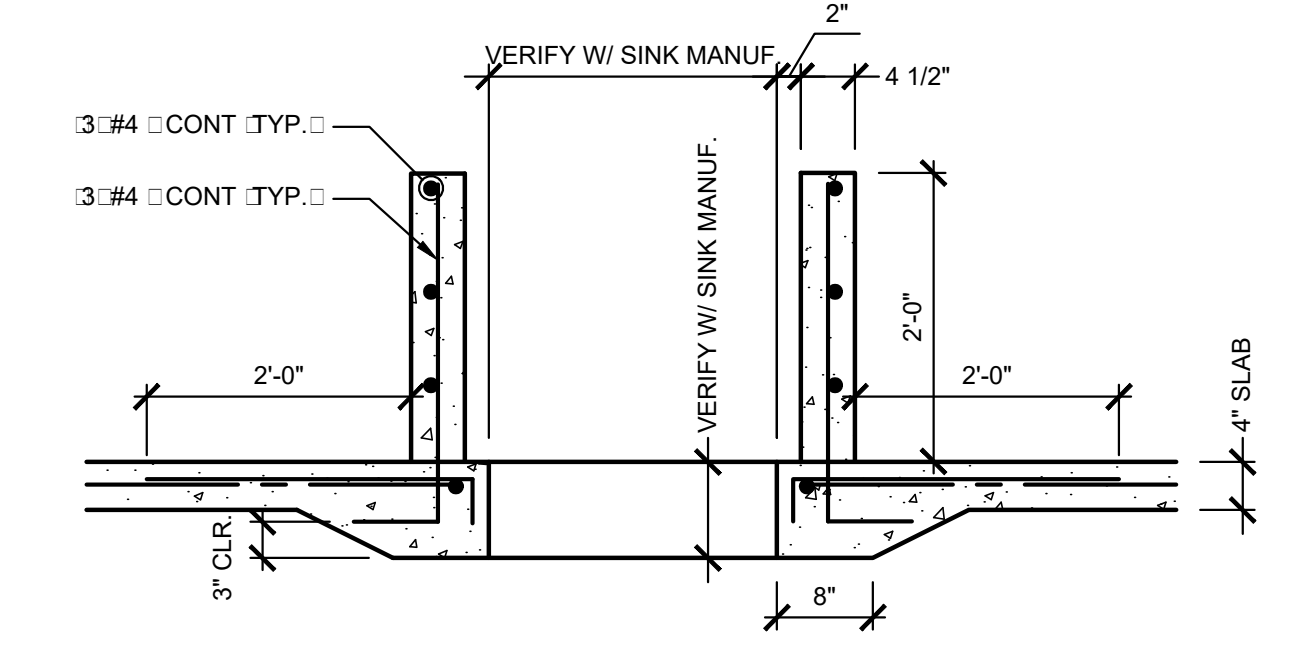
03 SECTION
SCALE: 3/4" = 1'-0"



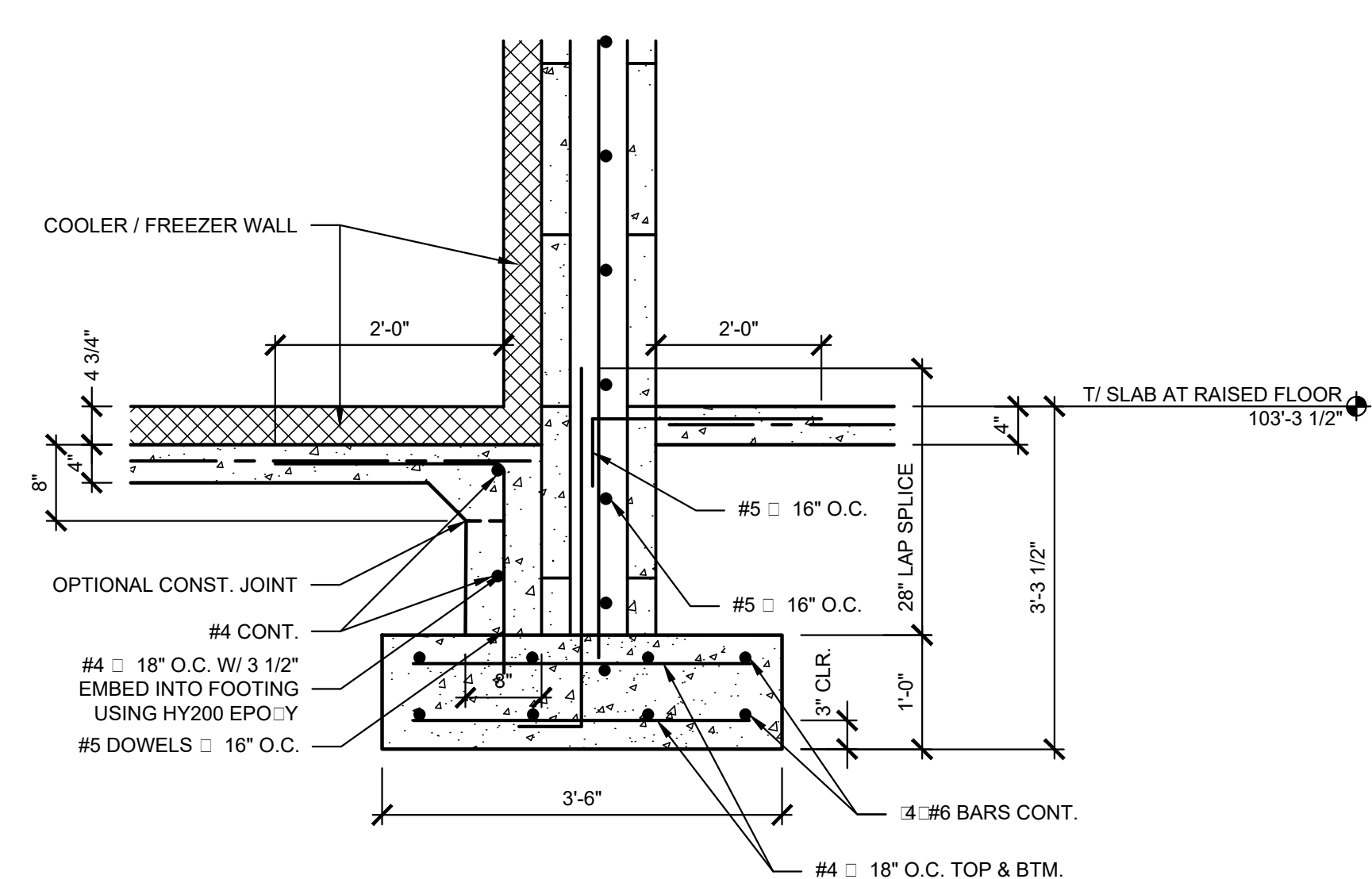
04 SECTION
SCALE: 3/4" = 1'-0"



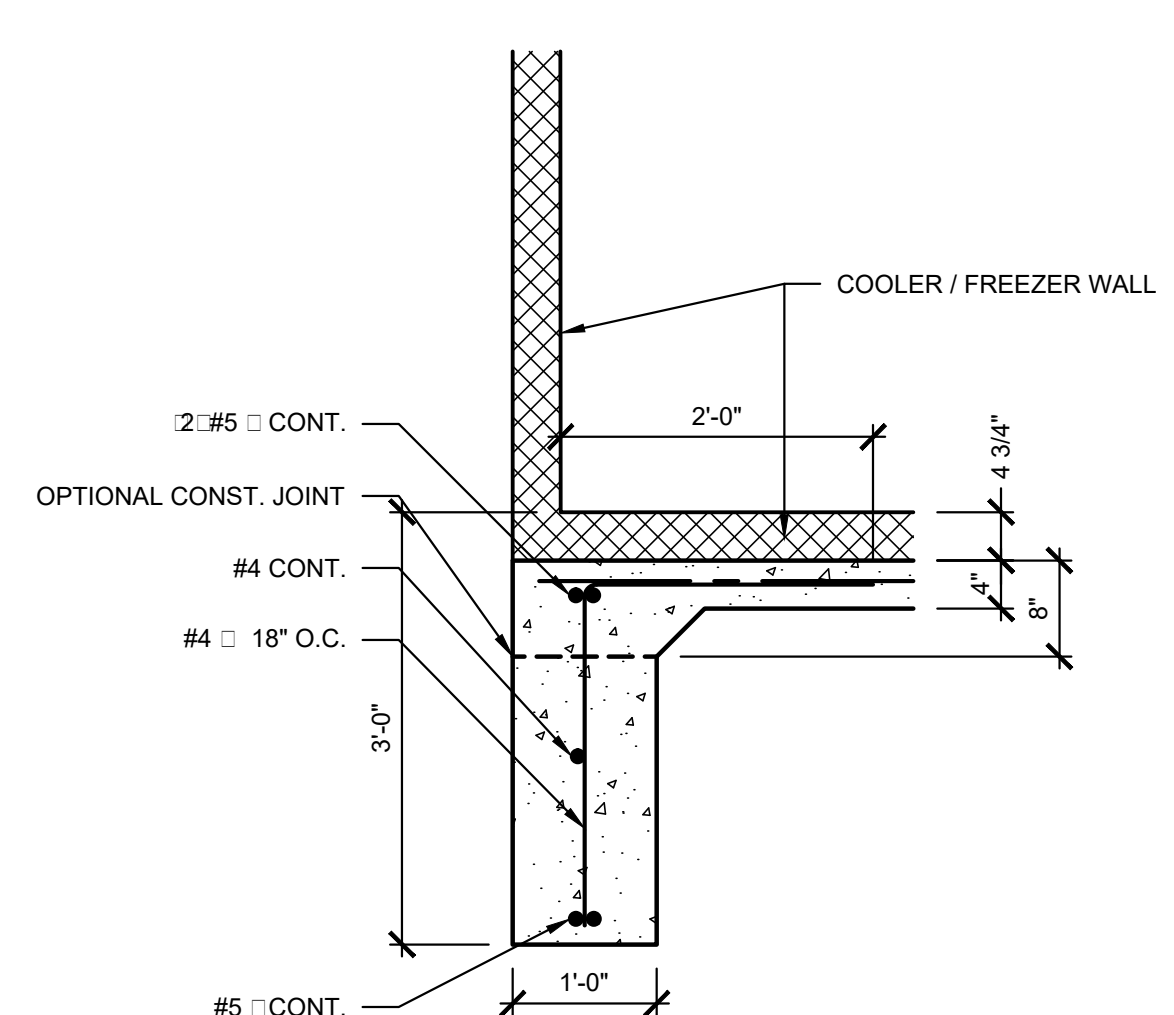
05 SECTION
SCALE: 3/4" = 1'-0"



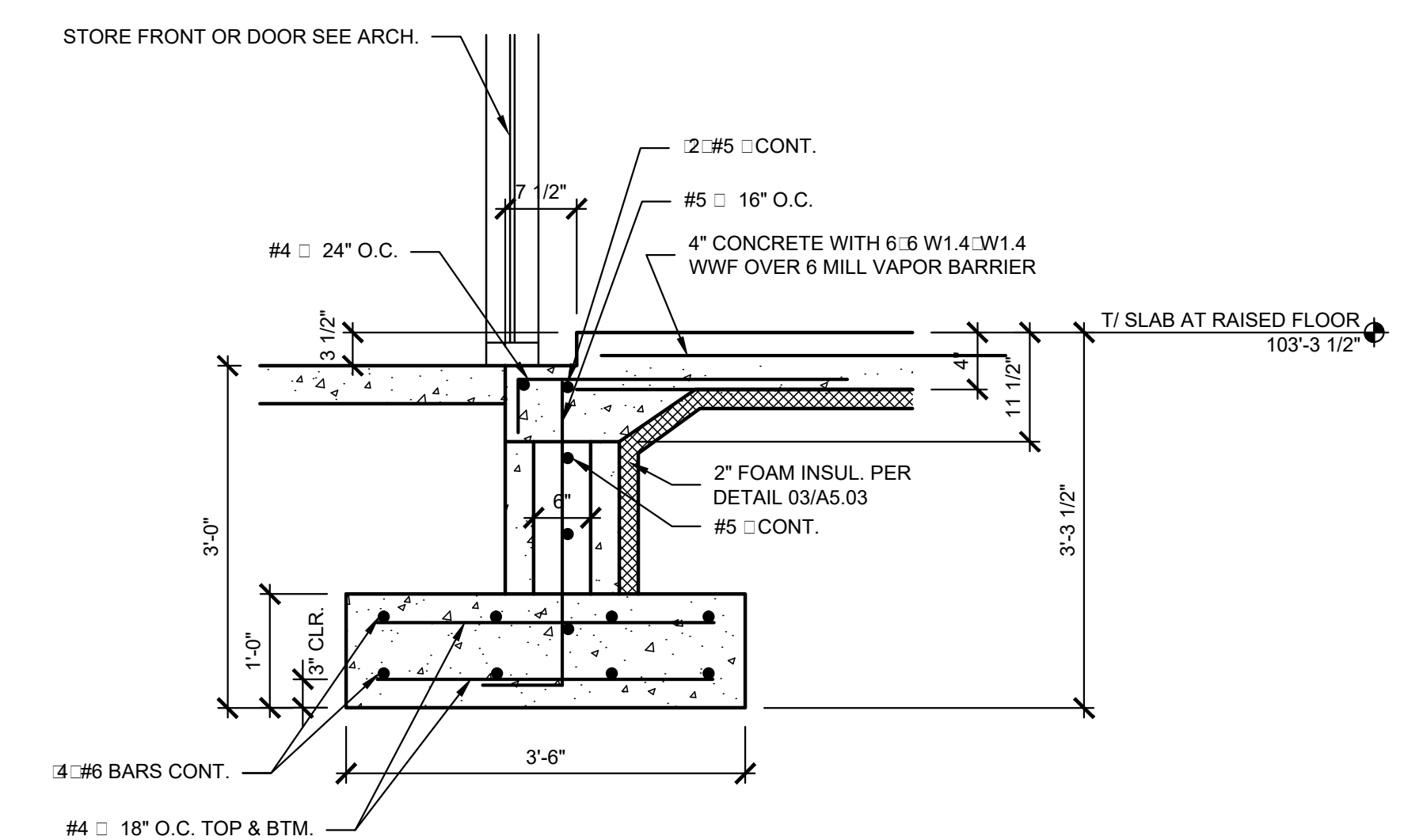
06 SECTION
SCALE: 3/4" = 1'-0"



07 SECTION
SCALE: 3/4" = 1'-0"



08 SECTION
SCALE: 3/4" = 1'-0"



09 SECTION
SCALE: 3/4" = 1'-0"

Keyes Architects and Associates expressly reserves its common law copyright and other property rights in these documents. These documents are considered proprietary information and shall not be upgraded, changed or copied in any form or matter without the express written permission and consent of Keyes Architects and Associates, 3005 Tay or Boulevard, Louisville, Kentucky 40208

PROJECT: NEWCOMB OIL CO., LLC. - FILE: F2.01 Foundation Details.dwg - DATE: Jan 25, 2021 9:30AM - BY: HAROLD CO.

GENERAL NOTES:

BUILDING CODE, 2018 KENTUCKY BUILDING CODE (2015 IBC).

1. MINIMUM DESIGN LIVE LOADS:

Table with 2 columns: Minimum Design Live Load, Value. Includes Slab on Grade (20 PSF), Ground Snow Load (15 PSF), Flat Roof Snow Load (15.5 PSF), Exposure Factor (1.0), Thermal Factor (1.0), Importance Factor (1.0).

2. SNOW LOADS:

Table with 2 columns: Snow Load Type, Value. Includes Ground Snow Load (15 PSF), Flat Roof Snow Load (15.5 PSF), Exposure Factor (1.0), Thermal Factor (1.0), Importance Factor (1.0).

3. WIND LOADS:

Table with 2 columns: Wind Load Type, Value. Includes Basic Wind Speed (115 MPH).

UPLIFT INFORMATION:

BECAUSE OF THE MATERIALS, STRUCTURE AND COVERINGS AND THE LOCAL LOW WIND SPEED THE ENGINEER (RICHARD BARRIOS, LOUISVILLE KY) IS SAYING THAT THE UP-LIFT IS A NET OF (0) OR BETTER.

Table with 2 columns: Wind Directionality Factor, Exposure, Topographic Factor, Internal Pressure Coefficient, Gust Effect Factor, Components and Cladding Load, Roof, Walls.

4. SEISMIC:

Table with 2 columns: Seismic Parameters, Value. Includes Kentucky County (Davies), Spectral Response Acceleration Coefficient, Seismic Risk Group (II), Importance Factor (1.0), Site Class (D), Spectral Response Coefficient, Analysis Procedure (ELFP), Basic Seismic Force Resisting System (Special Reinforced Cast in Place Concrete Shear Walls), Response Modification Coefficient (5), Seismic Base Shear (53.7k(ASD)), Seismic Base Shear Coefficient (0.085).

5. THE CONTRACTOR SHALL BE RESPONSIBLE FOR COORDINATING ARCHITECTURAL,

STRUCTURAL, MECHANICAL AND ELECTRICAL DETAILS AND DIMENSIONS. ANY DISCREPANCY BETWEEN SUCH DETAILS AND DIMENSIONS AS MAY OCCUR SHALL BE REPORTED TO THE ARCHITECT FOR CLARIFICATION BEFORE WORK PROCEEDS.

FOUNDATION DESIGN:

1. ALLOWABLE SOIL BEARING CAPACITY (PER SOILS REPORT):

Table with 2 columns: Column Footings (1,800 PSF), Wall Footings (1,200 PSF).

2. ALLOWABLE SOIL BEARING PRESSURES AND SEISMIC SOIL CLASSIFICATION NOTED ABOVE ARE ASSUMED AND SHALL BE VERIFIED PRIOR TO CONSTRUCTION. FOOTINGS TO BEAR ON UNDISTURBED SOIL OR ON ENGINEERED FILL.

CONCRETE GENERAL:

- 1. ALL STRUCTURAL CONCRETE (INCLUDING SLABS ON GRADE, FOUNDATIONS, FOUNDATION WALLS, ICF WALLS, ETC.) SHALL BE NORMAL WEIGHT AND SHALL HAVE A 28 DAY COMPRESSIVE STRENGTH OF 4,000 PSI.
2. MATERIAL PROPERTIES - REINFORCING AND CONNECTION STEEL:

Table with 4 columns: Reinforcing Steel Properties, Fy (psi), ASTM, All Bars, U.N., Welded Wire Reinforcement, Welding for Steel Reinf. Bars, Deformed Anchor Bars.

*PREHEAT PER AWS D1.4

3. LAP LENGTHS OF BAR SPLICES SHALL BE AS FOLLOWS:

#3 = 15", #4 = 20", #5 = 25", #6 = 30". LAP SPLICES WHICH HAVE DIFFERENT BAR SIZES SHALL BE THE LAP LENGTH OF THE LARGER BAR.

- 4. DETAILING, FABRICATION AND PLACING OF REINFORCING SHALL CONFORM TO APPLICABLE PROVISIONS OF ACI 315 AND ACI 318.
5. SLABS, FOOTINGS SHALL HAVE NO HORIZONTAL JOINTS. ANY STOP IN CONCRETE WORK MUST BE MADE NEAR CENTER OF SPAN, OR AS INDICATED ON THE DRAWINGS, WITH VERTICAL KEYS BULKHEADS. ALL REINFORCEMENT SHALL CONTINUE THRU JOINTS.
6. BEFORE PLACING CONCRETE, THE CONTRACTOR SHALL NOTIFY ALL SUB-CONTRACTORS TO BE SURE ALL SLEEVES, CONDUIT, CHASES, EMBEDS, EQUIPMENT ANCHOR BOLTS, ETC., ARE PROPERLY INSTALLED.
7. ATTENTION IS CALLED TO THE FACT THAT ANY CONCRETE THAT WILL BE EXPOSED MUST HAVE SPECIAL CARE TAKEN TO PREVENT EXPOSURE OF THE TIE WIRE OR OTHER MATERIAL THAT MAY CAUSE STAINING. PROPER CONCRETE COVER ON ALL REINFORCING STEEL MUST BE MAINTAINED.
8. ANCHOR BOLTS FOR ALL COLUMNS AND EQUIPMENT SHALL BE SET BY TEMPLATE AND SHALL BE WIRED IN PLACE.

CONCRETE PRODUCTS:

- 1. PORTLAND CEMENT TYPE 1, ASTM C150.
2. FLYASH ASTM C618, TYPE "C" OR TYPE "F", IF USED, QUANTITY SHALL NOT BE LESS THAN 15% NOR MORE THAN 25% BY WEIGHT OF TOTAL CEMENTITIOUS MATERIALS.
3. AIR ENTRAPMENT ADMIXTURE, ASTM C260.
4. WATER REDUCING ADMIXTURE: ASTM C494, TYPE "A".
5. HIGH RANGE WATER REDUCING ADMIXTURE, ASTM C494, TYPE "F" OR TYPE "G".
6. WATER REDUCING NON-CORROSIVE, NON-CHLORIDE ACCELERATOR ADMIXTURE, ASTM C494 TYPE "C" OR TYPE "E".
7. WATER REDUCING, RETARDING ADMIXTURE, ASTM C494 TYPE "D".
8. PROHIBITED ADMIXTURES ARE ANY THAT CONTAIN CALCIUM CHLORIDE, THIOCYANATES OR MORE THAN 0.05% CHLORIDE IONS.

CONCRETE MIX DESIGNS:

- 1. MAXIMUM W/C RATIO - 0.45
2. MINIMUM CEMENTITIOUS MATERIALS CONTENT, LB/CY BASED ON MAXIMUM AGGREGATE SIZE:
1.5 INCHES 470 LB/CY
1.0 520
0.75 540
0.375 610
3. AIR ENTRAPMENT 5% ± 1% FOR EXTERIOR CONCRETE EXPOSED TO FREEZING.
4. SLUMP AT POINT OF DISCHARGE: 4" ±1" (7" MAX SLUMP WITH WATER REDUCING ADMIXTURE).
5. DO NOT ADD WATER TO CONCRETE DURING DELIVERY. WATER MAY BE ADDED ON SITE ONLY IF A TICKET WITH THE WATER UNDER RUN NOTED IS PROVIDED. WATER ADDED MUST NOT EXCEED THE AMOUNT OF WATER NOTED ON THE TICKET. CONCRETE MUST STILL MEET SPECIFICATIONS AFTER THE WATER IS ADDED. CONCRETE ADMIXTURES OF ANY KIND SHALL NOT BE ADDED ON SITE OR DURING DELIVERY.
6. CLEAR COVER FOR STEEL REINFORCEMENT
6.1. IN EXTERIOR FACE OF CONCRETE = 3"
6.2. IN INTERIOR FACE OF CONCRETE = 1.5"

CONCRETE PLACEMENT:

- 1. BEFORE PLACING CONCRETE, INSPECT AND COMPLETE FORMWORK INSTALLATION. VERIFY REINFORCING STEEL PLACEMENT, SIZES, SPLICES AND EMBEDS TO BE CAST IN.
2. COMPLY WITH ACI 304R "RECOMMENDED PRACTICE FOR MEASURING, MIXING, TRANSPORTING AND PLACING CONCRETE".
3. DEPOSIT AND CONSOLIDATE CONCRETE IN FORMS IN HORIZONTAL LAYERS NOT DEEPER THAN 18" AND IN A MANNER TO PREVENT INCLINED CONSTRUCTION JOINTS.
4. DEPOSIT AND CONSOLIDATE SLABS IN A CONTINUOUS OPERATION WITHIN LIMITS OF CONSTRUCTION JOINTS UNTIL PLACEMENT OF PANEL OR SECTION IS COMPLETED.
5. PROTECT CONCRETE FROM PHYSICAL DAMAGE OR REDUCED STRENGTH WHICH COULD BE CAUSED BY FROST, FREEZING ACTIONS OR LOW TEMPERATURES IN COMPLIANCE ACI 306R.
6. WHEN HOT WEATHER CONDITIONS EXIST THAT WOULD IMPAIR QUALITY AND STRENGTH OF CONCRETE, PLACE CONCRETE IN COMPLIANCE WITH ACI 305R. CONCRETE AT TIME OF PLACEMENT SHALL BE LESS THAN 90 DEF "F" AND SHALL BE MAINTAINED SO THAT THE TEMPERATURE DOES NOT EXCEED 90 DEF "F".
7. CONSOLIDATE CONCRETE BY MECHANICAL VIBRATING EQUIPMENT SUPPLEMENTED BY HAND-SPADING OR RODDING OR TAMPING. DO NOT USE VIBRATORS INSIDE FORMS. DO NOT INSERT VIBRATORS INTO LOWER LAYERS OF CONCRETE THAT HAVE BEGUN TO SET.

FINISH OF HORIZONTAL CONCRETE SURFACES:

- 1. EXTERIOR SLABS UNDER CANOPY SHALL RECEIVE A FINE BROOM FINISH. APPLY A TROWEL FINISH, STOPPING AFTER A SECOND TROWELING, AND WHEN CONCRETE IS STILL PLASTIC, SLIGHTLY SCARIFY SURFACE WITH FINE BROOM.
2. INTERIOR SLABS SHALL RECEIVE A TROWEL FINISH, APPLY HARD TROWEL FINISH TO SLAB ON GRADE.
3. WATER SHALL NOT BE APPLIED TO HORIZONTAL SURFACES TO RETEMPER PRIOR TO FINISHING.
4. DRY CEMENT SHALL NOT BE ADDED TO HORIZONTAL SURFACES TO STIFFEN SURFACE PRIOR TO FINISH.
5. CONTROL JOINTS FOR SIDEWALKS SHALL BE PROVIDED BY SAW CUTTING TO A MINIMUM DEPTH OF 1/4" x SLAB THICKNESS. ELIMINATE TOOL MARKS ON CONCRETE SURFACES.

CONCRETE CURING AND PROTECTION:

- 1. PROTECT CONCRETE FROM PREMATURE DRYING AND EXCESSIVE COLD OR HOT TEMPERATURES.
2. START INITIAL CURING IMMEDIATELY AFTER FINAL FINISHING IS COMPLETE. CURE CONCRETE WITH KURE N HARDEN BY SONNERBORNE.

QUALITY CONTROL TESTING OF CONCRETE DURING CONSTRUCTION:

- 1. THE OWNER MAY RETAIN A TESTING LABORATORY TO PERFORM TESTS AND TO SUBMIT TEST REPORTS. THE CONTRACTOR SHALL ALLOW TESTING AGENCY ACCESS TO ALL MATERIALS AND SHALL ASSIST IN OBTAINING SAMPLES.
2. TESTING AGENCY HAS THE AUTHORITY TO REJECT A LOAD OF CONCRETE THAT DOES NOT MEET SPECIFICATIONS. REJECTED CONCRETE SHALL BE REPLACED AT NO COST TO THE OWNER.

STRUCTURAL STEEL:

- 1. STRUCTURAL STEEL HAS BEEN DESIGNED AND SHALL BE FABRICATED AND ERECTED IN ACCORDANCE WITH THE AISC SPECIFICATION FOR THE STRUCTURAL STEEL BUILDINGS 15TH EDITION.
2. ALL MATERIALS SHALL CONFORM TO THE FOLLOWING SPECIFICATIONS: LATEST EDITIONS OF THE 2018 KENTUCKY BUILDING CODE SHALL BE APPLY:

Table with 2 columns: Structural Steel Specifications, Value. Includes Structural Wide Flange Shapes (ASTM A992), Structural Angles, Channels, Plate & Misc. Items (ASTM A36), Anchor Bolts (A36 or A307), Structural Tubing & Pipe (ASTM A500, Grade "B"), Welding Electrodes (E70XX).

- 3. ALL BOLTED CONNECTIONS SHALL BE DESIGNED BY THE FABRICATOR IN ACCORDANCE WITH THE "SPECIFICATION FOR STRUCTURAL JOINTS USING ASTM A325 BOLTS" USING 3/4" INCH DIAMETER BOLTS. WASHERS SHALL BE LOAD INDICATOR TYPE OR BOLTS SHALL BE TENSION CONTROL TYPE.
4. ALL WELDING SHALL BE IN ACCORDANCE WITH "THE STRUCTURAL WELDING CODE" AWS D1.1.
5. ALL CONNECTIONS SHALL BE DESIGNED FOR 1/2" OF THE MAXIMUM UNIFORM LOAD FOR THE SIZE, SPAN, AND GRADE OF STEEL LISTED IN TABLE 3-6 "MAXIMUM TOTAL UNIFORM LOAD" FROM THE AISC MANUAL (15TH EDITION) UNLESS OTHERWISE NOTED.
6. ALL CONDITIONS AND DIMENSIONS PRIOR TO FABRICATION AND ERECTION OF STEEL SHALL BE VERIFIED. ANY AMBIGUITY FOUND SHALL BE IMMEDIATELY BROUGHT TO THE NOTICE OF NEWCOMB OIL COMPANY.
7. GROUT SHALL BE PRE-MIXED, NON-METALLIC, NON-CORROSIVE, NON-STAINING PRODUCT CONTAINING SELECTED SILICA SANDS, PORTLAND CEMENT, SHRINKAGE COMPENSATING AGENTS, PLASTICIZING AND WATER REDUCING AGENTS, COMPLY WITH CE-CRD-C621.
8. BEFORE SHIPPING FROM THE STEEL SHOP ALL STEEL SHALL BE CLEANED. REMOVE HEAVY RUST AND MILL SCALE, SPATTER, SLAG OR FLUX DEPOSITS. COMPLY WITH STEEL FABRICATORS SP-3 "POWER TOOL CLEANING". REMOVE OIL, GREASE AND SIMILAR CONTAMINATES; COMPLY WITH SSPC SP-1 "SOLVENT CLEANING".
9. IMMEDIATELY AFTER CLEANING APPLY MANUFACTURERS OR FABRICATOR'S STANDARD, FAST CURING, LEAD FREE, UNIVERSAL MODIFIED ALKYD PRIMER SELECTED FOR GOOD RESISTANCE TO NORMAL ATMOSPHERIC CORROSION, FOR COMPATIBILITY WITH ALKYD FINISH PAINT SYSTEMS, AND FOR THE CAPABILITY OF PROVIDING A SOUND FOUNDATION FOR FIELD APPLIED TOPCOATS DESPITE PROLONGED EXPOSURE. APPLICATION SHALL BE NOT LESS THAN 1.5 MILS. DRY FILM THICKNESS.

STEEL JOISTS:

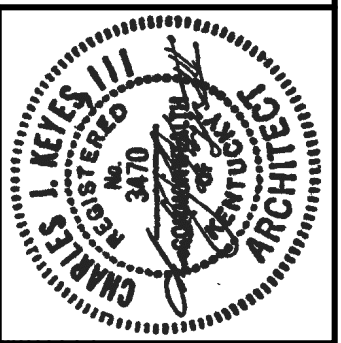
- 1. ALL STEEL JOISTS, JOIST GIRDERS, REQUIRED ACCESSORIES SHALL BE DESIGNED, DETAILED AND FABRICATED IN ACCORDANCE WITH THE "STANDARD SPECIFICATIONS FOR OPEN WEB STEEL JOISTS. ACCORDING TO THE STEEL JOIST INSTITUTE". CURRENT EDITIONS SHALL APPLY.
2. PROVIDE JOISTS FABRICATED IN COMPLIANCE WITH THE STEEL JOIST INSTITUTE (SJI) STANDARD SPECIFICATIONS, LOAD TABLES AND WEIGHT TABLES FOR: OPEN WEB STEEL JOISTS (K-SERIES) AND LONGSPAN STEEL JOISTS (LH SERIES).
3. EXTENT OF WORK IS INDICATED ON THE PLANS INCLUDING BASIC LAYOUT AND TYPE OF JOISTS REQUIRED. UNLESS OTHERWISE INDICATED, THE FOLLOWING ITEMS ARE INCLUDED: STEEL JOISTS, JOIST EXTENDED ENDS, CEILING EXTRUSIONS, EXTENDED BOTTOM CHORES USED AS STRUTS, BRIDGING AND BRIDGING ANCHOR, JOIST BOTTOM CHORD BRACING, JOIST WALL AND BEAM ANCHORS, HEADERS, LOOSE BEARING PLATES AND ANCHOR BOLTS FOR PLACEMENT.;
4. JOISTS SHALL BE DESIGNED BY JOIST MANUFACTURER TO INSURE THAT CHORD MEMBERS ARE SUFFICIENT TO WITHSTAND FORCES INDICATED ON THE DRAWINGS. ALL JOISTS SHALL BE REVIEWED AND SEALED BY A LICENSED ENGINEER REGISTERED IN THE STATE OF TENNESSEE. JOISTS MANUFACTURER SHALL DESIGN CONNECTIONS ON SHOP DRAWINGS. CONNECTION DESIGN SHALL BE COORDINATED WITH THE STRUCTURAL STEEL FABRICATOR. ALL WELDS OR BOLTS REQUIRED SHALL BE CLEARLY INDICATED.
5. DESIGN AND FABRICATE STEEL JOISTS IN ACCORDANCE WITH SJI SPECIFICATIONS, INCLUDING HEADERS AND OTHER SUPPORT FRAMING. VERIFY DRAWING DIMENSIONS AND FIELD CONDITIONS PRIOR TO FABRICATION.
6. PROVIDE HORIZONTAL OR DIAGONAL TYPE BRIDGING FOR JOISTS, COMPLYING WITH SJI "SPECIFICATIONS". PROVIDE BRIDGING ANCHORS FOR ENDS OF BRIDGING LINES TERMINATING AT WALLS OR BEAMS.
7. PROVIDE END ANCHORAGES TO SECURE JOISTS TO ADJACENT CONSTRUCTION, COMPLYING WITH SJI "SPECIFICATIONS", UNLESS OTHERWISE INDICATED.
8. CAMBER JOISTS TO ALLOW FOR DEAD-LOAD DEFLECTION AS PROVIDED IN THE SJI "STANDARD SPECIFICATIONS".
9. REMOVE LOOSE SCALE, HEAVY RUST, AND OTHER FOREIGN MATERIALS FROM THE FABRICATED JOISTS AND ACCESSORIES BEFORE APPLICATION OF SHOP PAINT. APPLY ONE COAT SHOP COAT OF PRIMER TO STEEL JOISTS AND ACCESSORIES, BY SPRAY, OR OTHER METHOD WHICH COMPLES WITH STEEL STRUCTURES PAINTING COUNCIL SPECIFICATION, SSPC NO. 15.

STEEL DECKING:

- 1. COMPLY WITH PROVISIONS OF THE FOLLOWING CODES AND STANDARDS, EXCEPT AS OTHERWISE INDICATED OR SPECIFIED:
A. ANSI "SPECIFICATION FOR THE DESIGN OF COLD-FORMED STEEL STRUCTURAL MEMBERS".
B. AWS "STEEL WELDING CODE".
C. SDI "DESIGN MANUAL FOR FLOOR AND ROOF DECKS".
2. PROTECT DECKING FROM CORROSION (WHITE RUST), DEFORMATION AND OTHER DAMAGE DURING DELIVERY, STORAGE AND HANDLING. STORE DECKING ON WOOD SLEEPERS WITH SLOPE FOR POSITIVE DRAINAGE. DECKING SHALL BE FREE OF CORROSION (WHITE RUST) PRIOR TO INSTALLATION.
3. BASIC STEEL SHALL BE FLAT ROLLED, GALVANIZED SHEETS OF STRUCTURAL QUALITY, MEETING THE REQUIREMENTS OF ASTM A653. GALVANIZING SHALL MEET ASTM A924, G90 COATING. STEEL BLOCK SUPPLIER TO PROVIDE GALVANIZED DECK WHICH IS SHOP AND FIELD PAINTABLE.
4. ROOF DECKING SHALL BE A MINIMUM OF 20 GAUGE METAL DECK, TYPE "B" WIDE RIB, WITH A FABRICATED DEPTH OF 1-1/2" INCHES. FORM DECK UNITS IN LENGTHS TO SPAN 3 OR MORE SUPPORTS, WITH FLUSH, TELESCOPED OR NESTED 2" LAPS AT ENDS AND SIDE LAPS, UNLESS OTHERWISE INDICATED.
5. FABRICATE METAL DECKING IN ACCORDANCE WITH SDI DESIGN MANUAL TO ACCOMMODATE MAXIMUM WORKING STRESS OF 0.6FY AND MAXIMUM SPAN DEFLECTION OF L/240. FOR ROOF DECKING, MAXIMUM FIBER STRESS SHALL NOT EXCEED 20,000 PSI UNDER A TOTAL DEAD AND LIVE LOAD OF 50PSF AND DEFLECTION SHALL NOT EXCEED L/360 OF THE SPAN UNDER A LIVE LOAD OF 25 PSF. FOR FLOORING DECKING, MAXIMUM FIBER STRESS SHALL NOT EXCEED 0.6FY UNDER A TOTAL DEAD AND LIVE LOAD OF 150 PSF AND DEFLECTION SHALL NOT EXCEED L/360 OF THE SPAN UNDER LIVE LOAD OF 100 PSF.
6. ERECT AND ATTACH METAL DECKING IN ACCORDANCE WITH SDI DESIGN MANUAL FOR FLOOR AND ROOF DECK, AS WELL AS WITH MANUFACTURER'S RECOMMENDATIONS AND FINAL SHOP DRAWINGS. PROVIDE WELDING IN ACCORDANCE WITH SDI SPECIFICATIONS AND AWS D1.3.
7. STEEL ROOF DECK UNITS SHALL BE ANCHORED TO SUPPORTING STRUCTURAL STEEL MEMBERS TO PROVIDE LATERAL STABILITY TO THE TOP FLANGE OF THE SUPPORTING STRUCTURAL MEMBERS AND TO RESIST UPLIFT WIND FORCES INDICATED ON THE PLANS. THE DEAD LOAD OF THE ROOF DECK CONSTRUCTION PLUS THE DEAD LOAD OF THE ROOFING MATERIAL PLUS RIGID INSULATION MAY BE DEDUCTED FROM THE SPECIFIED UPLIFT FORCES.
8. INSTALL 6" INCH WIDE 18ga SHEET STEEL COVER PLATES WHERE DECK CHANGES DIRECTION. SCREW IN PLACE 12" INCHES ON CENTER MAXIMUM.
9. AFTER DECKING INSTALLATION, WIRE BRUSH, CLEAN AND PAINT SCARRED AREAS, WELDS AND RUST SPOTS ON TOP AND BOTTOM SURFACES OF DECKING UNITS AND SUPPORTING STEEL MEMBERS. TOUCH UP GALVANIZED SURFACES WITH GALVANIZING REPAIR PAINT APPLIED IN ACCORDANCE WITH MANUFACTURER'S INSTRUCTIONS.

PROJECT: NEWCOMB OIL CO., LLC. - FILE: S1.01 Genera Notes.dwg - DATE: Jan 25, 2021 9:30AM - BY: HAROLD CO.

PROJECT NO: 20-4089
DRAWN BY: HWC/
DATE: 01/15/2021



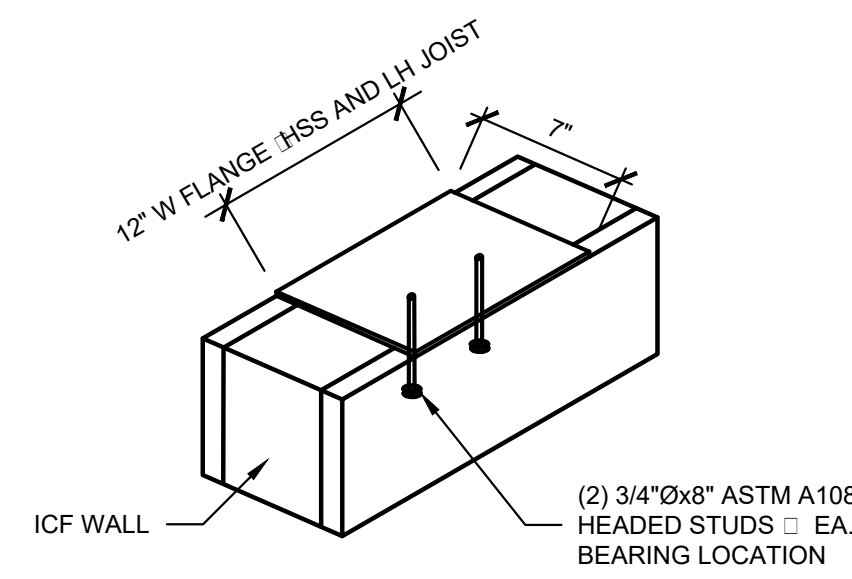
KEYES ARCHITECTS & ASSOCIATES
4717 PRESTON HIGHWAY
LOUISVILLE, KENTUCKY 40213 (502) 636-5113

NEWCOMB OIL CO., LLC.
38 DEAD READY LANE
LEBANON KY 40033
FIVESTAR STORE #4950

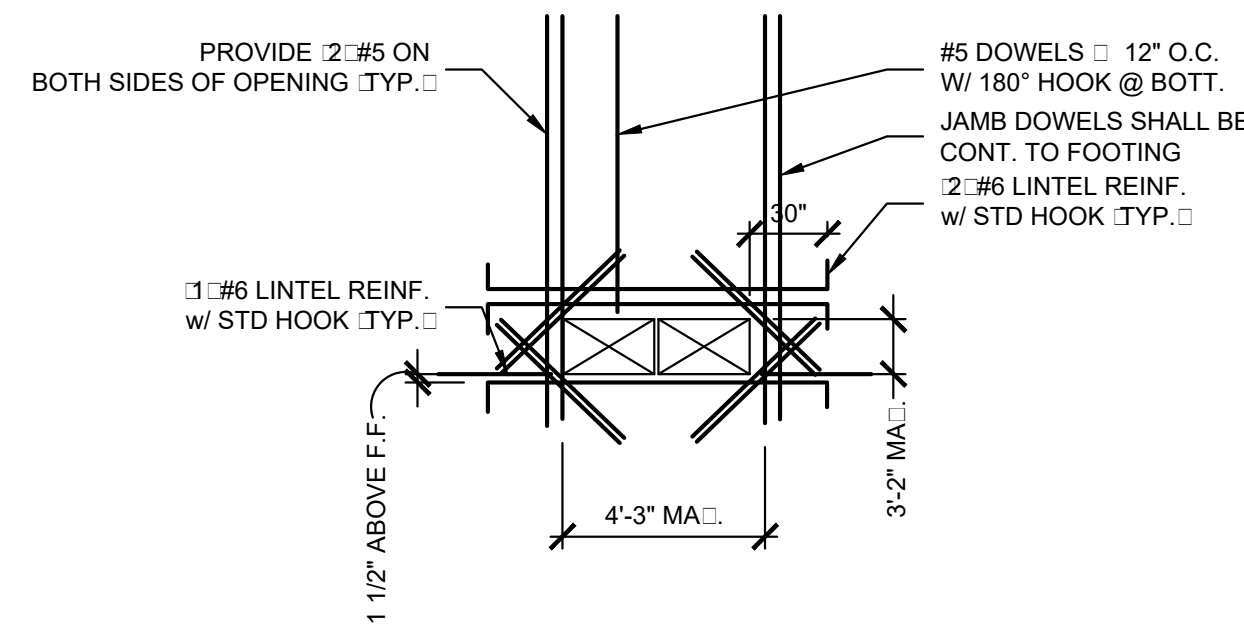
Keyes Architects and Associates expressly reserves its common law copyright and other property rights in these documents. These documents are considered proprietary information and shall not be upgraded, changed or copied in any form or matter without our prior written permission and consent of Keyes Architects and Associates, 3005 Tay or Boulevard, Louisville, Kentucky 40208

GENERAL NOTES

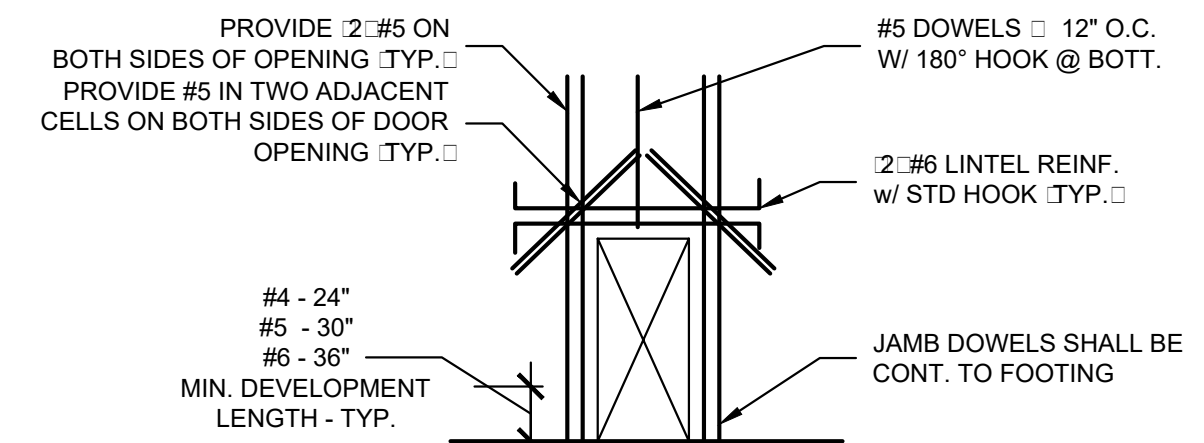
\$1.01



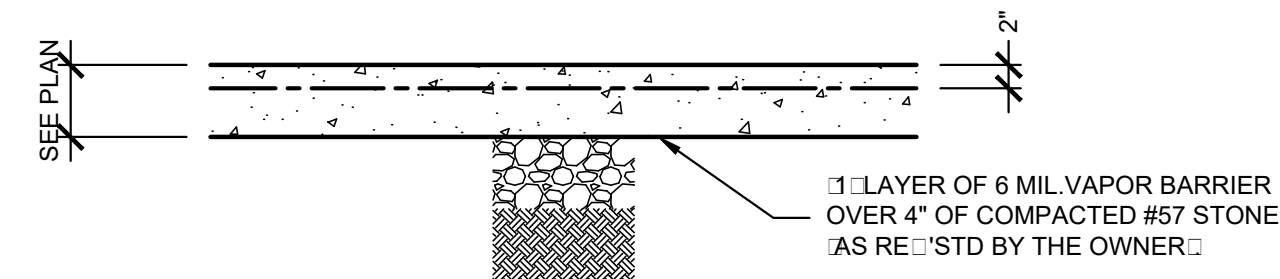
01 TYP. WIDE FLANGE, HSS, AND JOIST BEARING PLT. DET.
SCALE: 3" □ 1'-0"



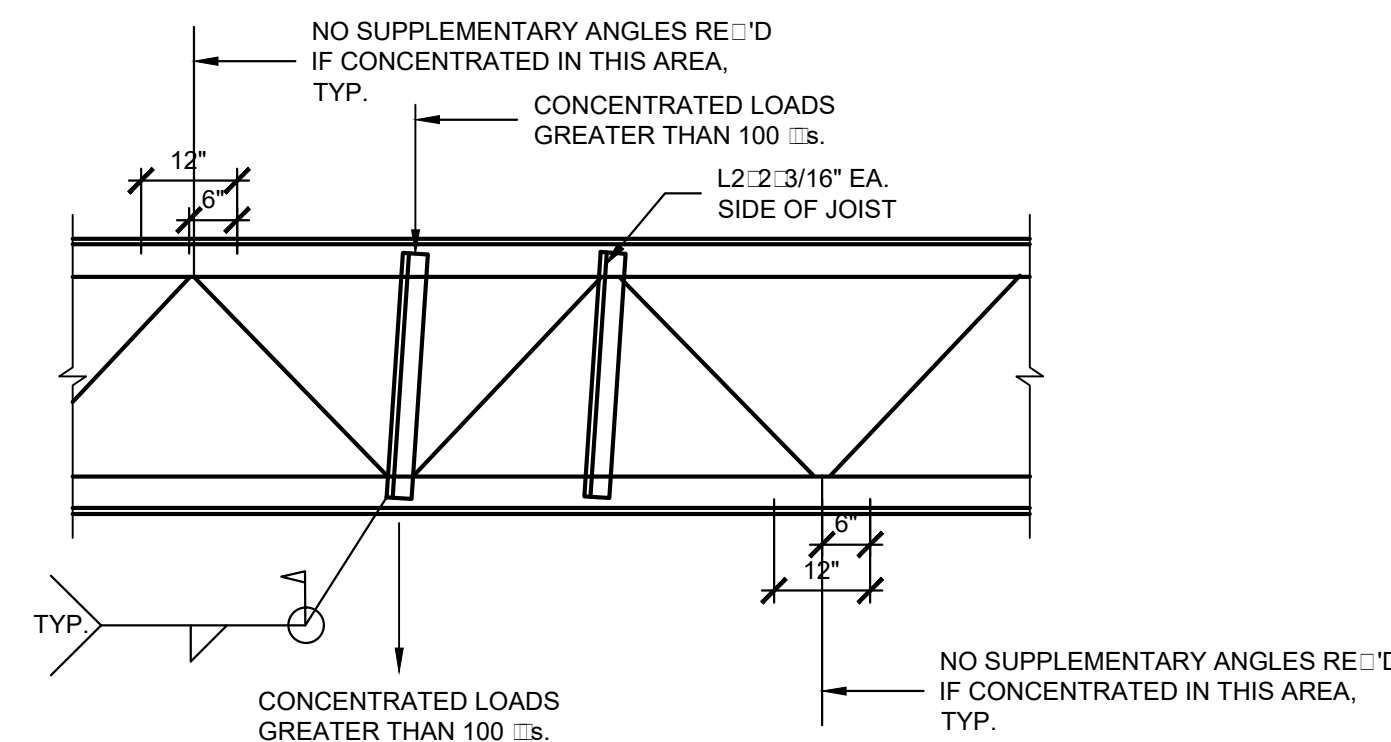
02 TYP. REINFORCEMENT @ HVAC OPENING IN ICF
SCALE: 3" □ 1'-0"



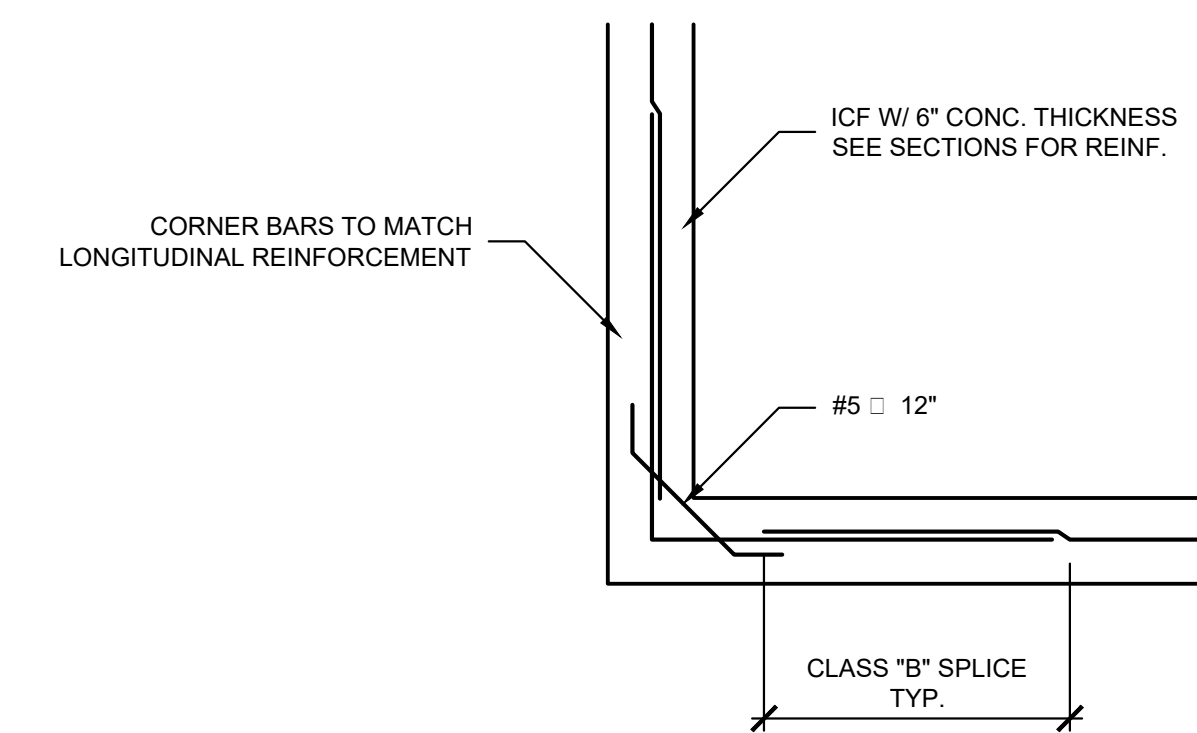
03 TYP. AROUND DOOR/STOREFRONT OPENING IN ICF
SCALE: 3" □ 1'-0"



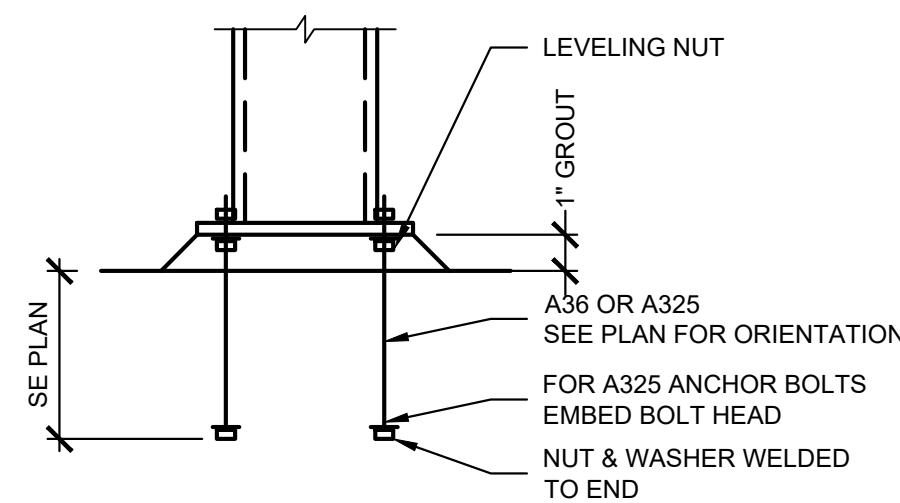
04 TYP. SLAB ON GRADE, SUB-GRADE, VAPOR BARRIER AND CONTROL JOINT
SCALE: 3" □ 1'-0"



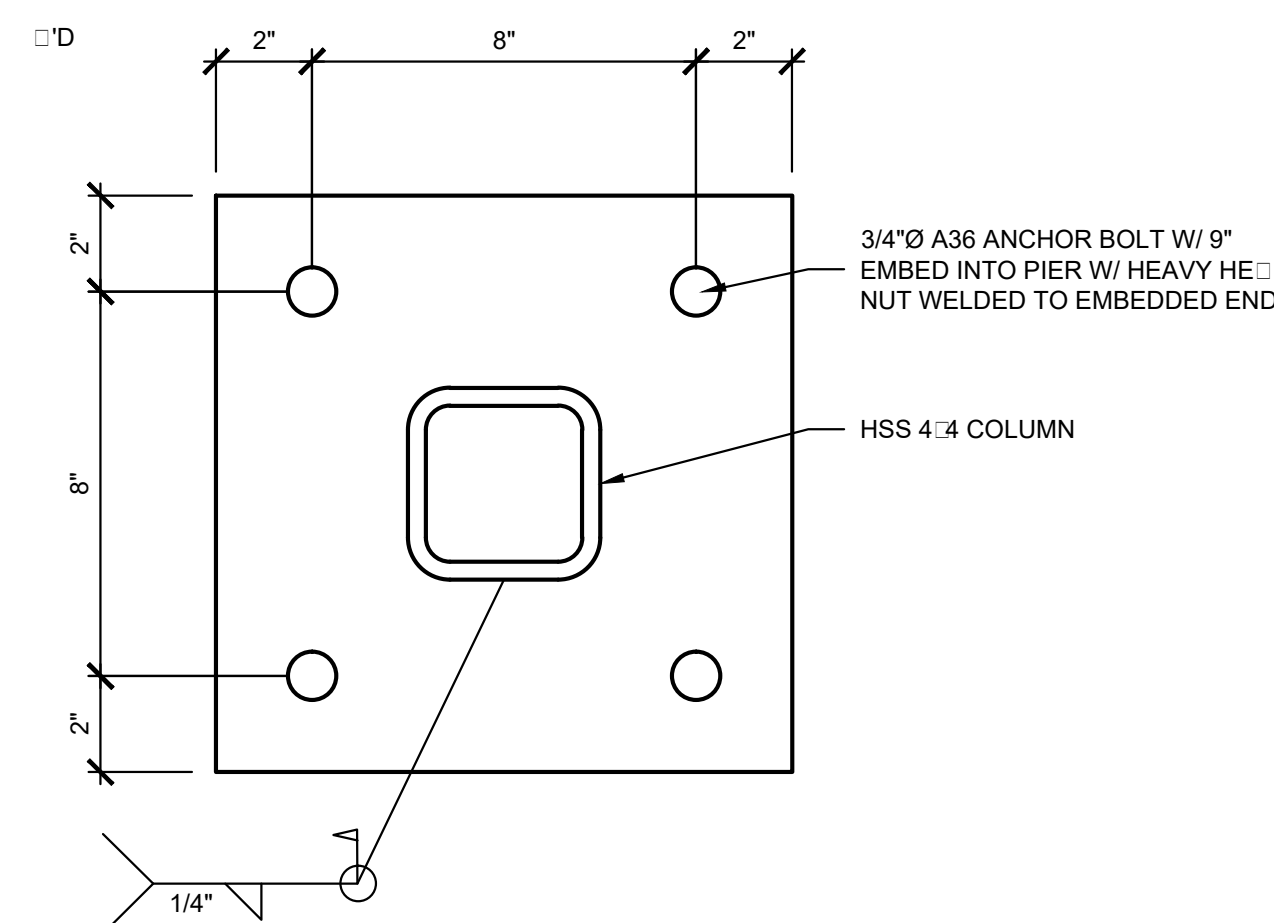
05 TYP. JOIST REINFORCEMENT
SCALE: 3" □ 1'-0"



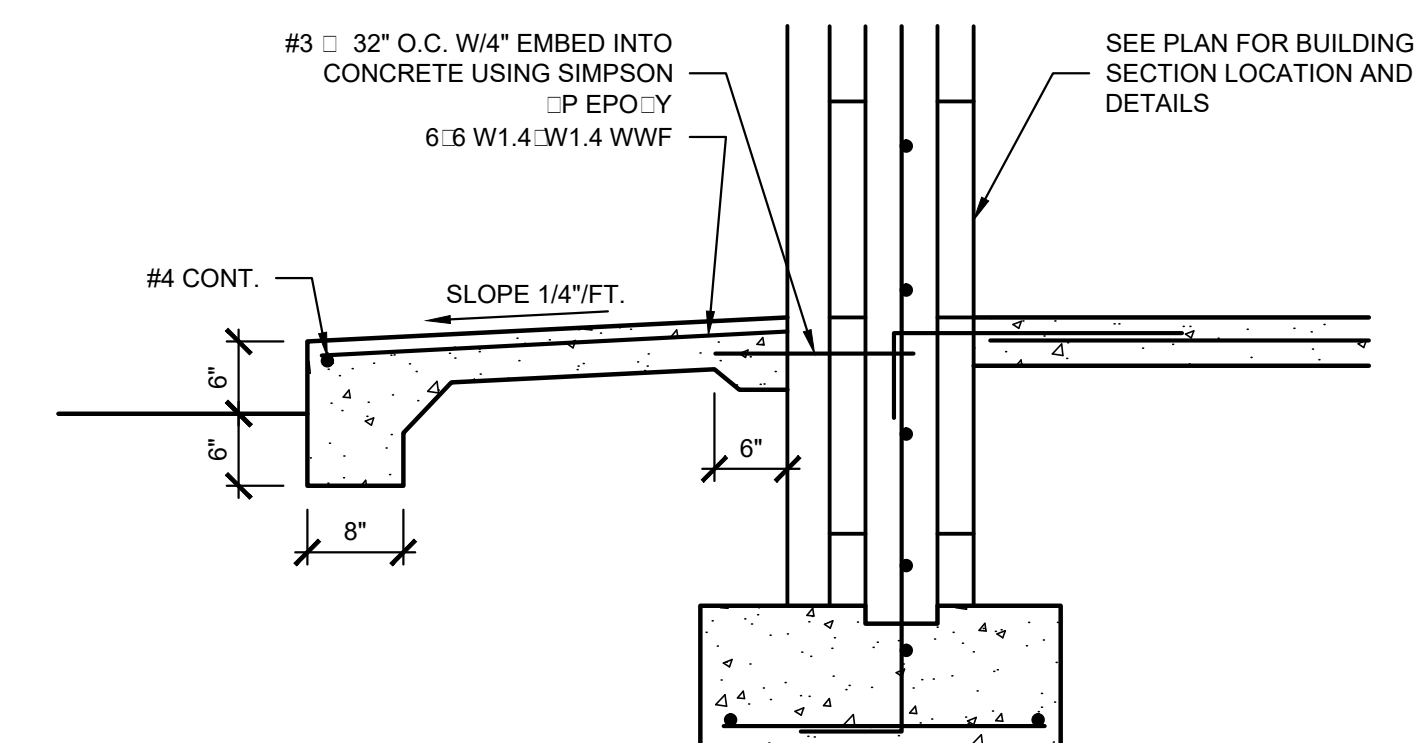
06 TYP. WALL CORNER REINFORCEMENT DETAIL
SCALE: 3" □ 1'-0"



07 TYP. STEEL COLUMN BASE DETAIL
SCALE: 3" □ 1'-0"



08 TYP. HSS 4x4 BASE PLATE DETAIL
SCALE: 3" □ 1'-0"



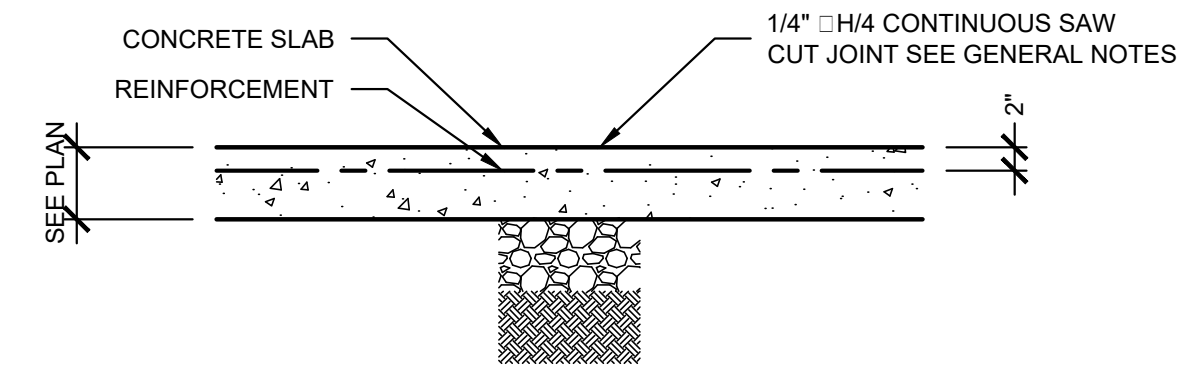
09 TYP. SIDEWALK DETAIL
SCALE: 3" □ 1'-0"

BRICK LINTEL SCHEDULE	
OPENING WIDTH	ANGLE SIZE
LESS THAN 6'-0"	L4:3/14"
6'-0" TO 8'-0"	L6:4:3/8"

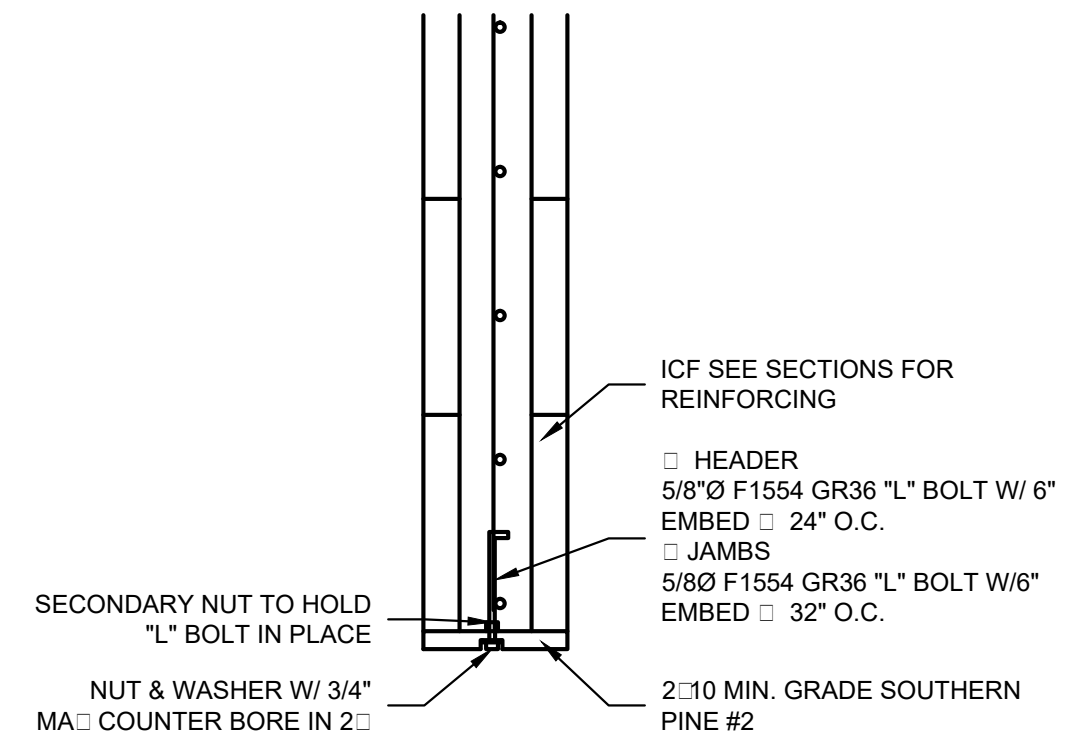


KEYES ARCHITECTS & ASSOCIATES
4717 PRESTON HIGHWAY
LOUISVILLE, KENTUCKY 40213 (502) 636-5113

NEWCOMB OIL CO., LLC.
FIVESTAR STORE #4950
38 DEAD READY LANE
LEBANON KY 40033



01 TYP. SIDEWALK & EXTERIOR PAVEMENT, CONTROL JOINT DETAIL
SCALE: 3" = 1'-0"

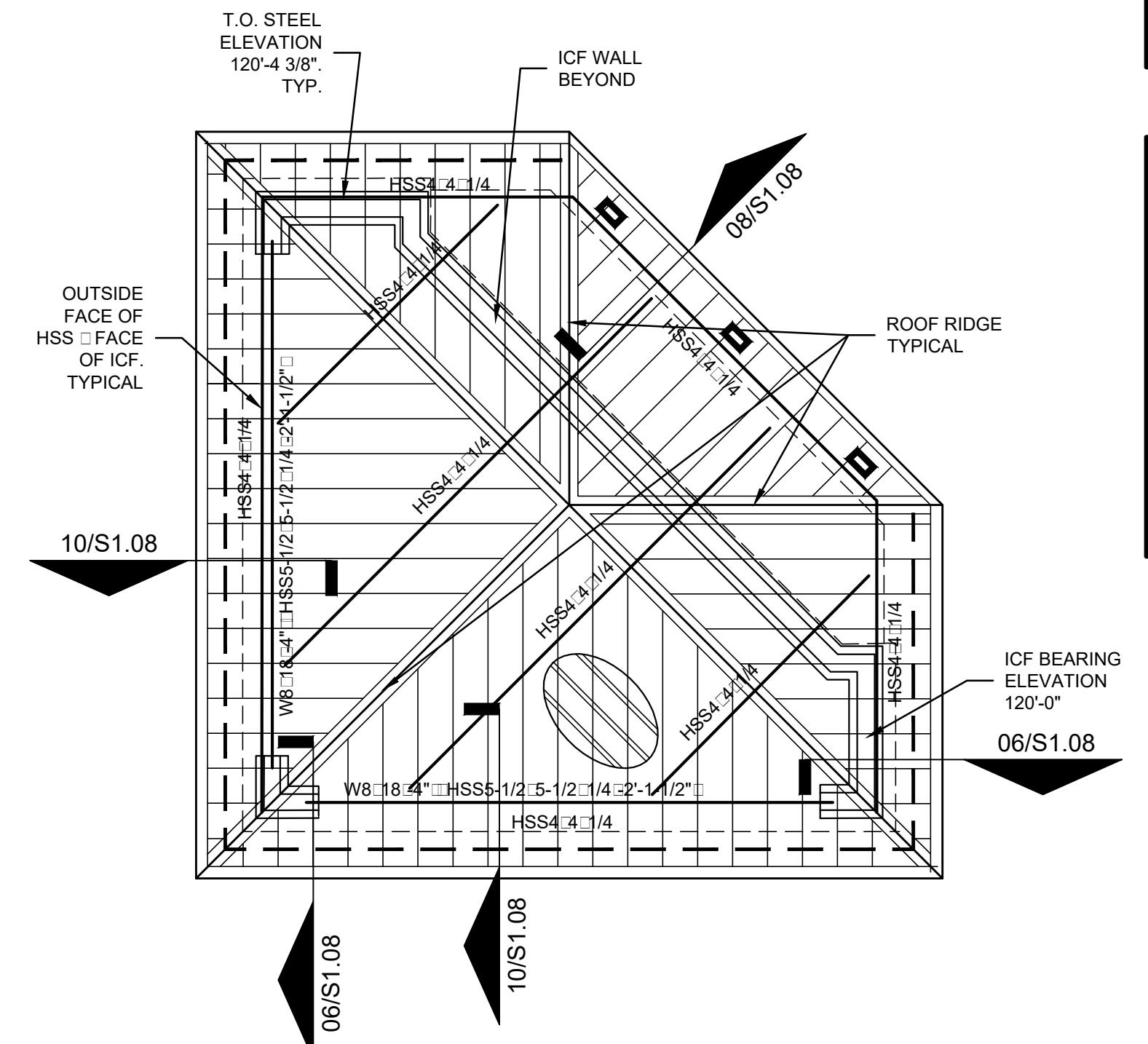


02 TYP. 2x ATTACHMENT TO ICF @ NEW OPENING PERIMETER
SCALE: 3" = 1'-0"

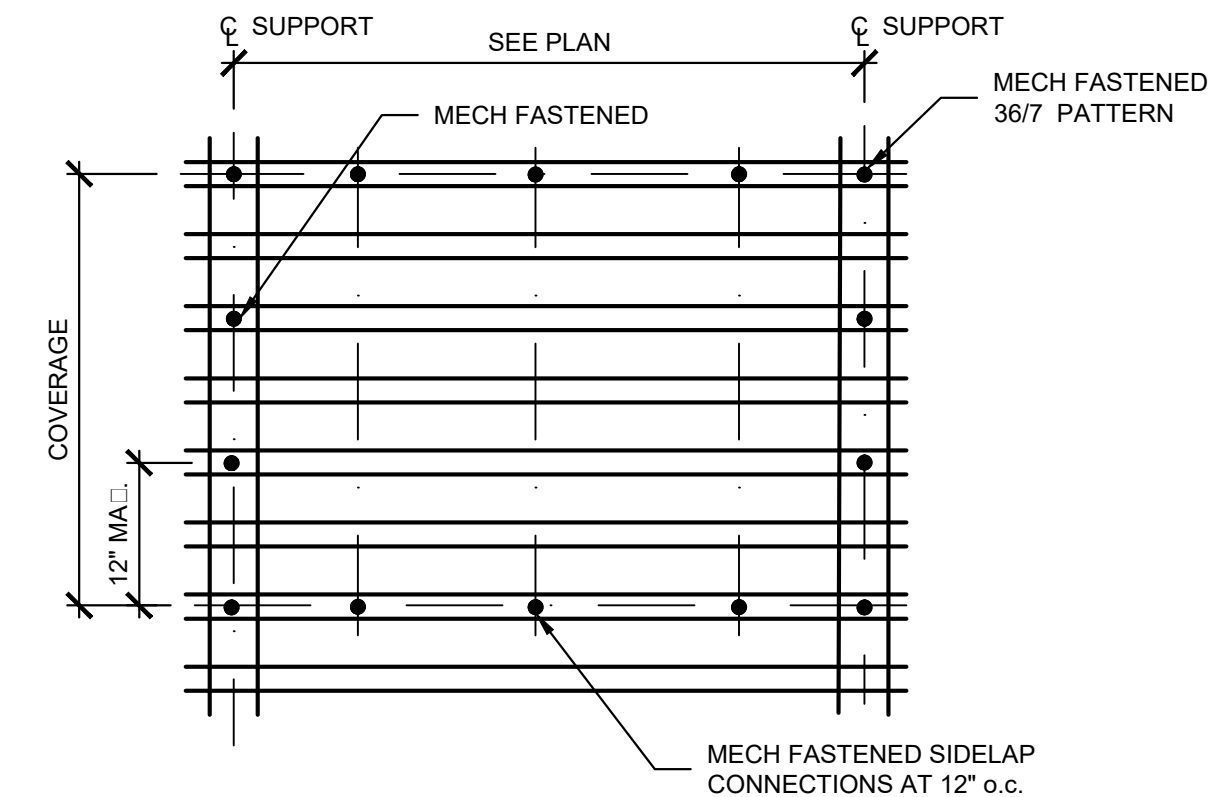


KEYES ARCHITECTS & ASSOCIATES
4717 PRESTON HIGHWAY
LOUISVILLE, KENTUCKY 40213 (502) 636-5113

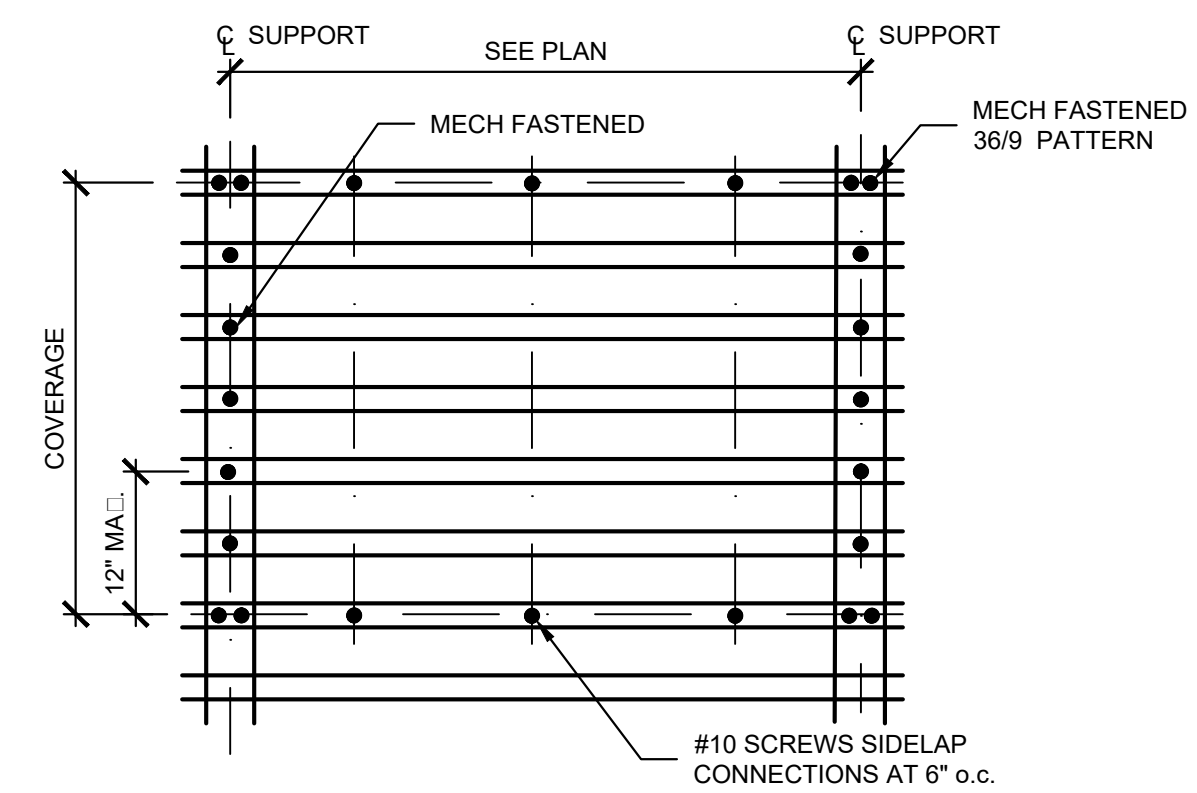
FIVESTAR STORE #4850
NEWCOMB OIL CO., LLC.
38 DEAD READY LANE
LEBANON KY 40033



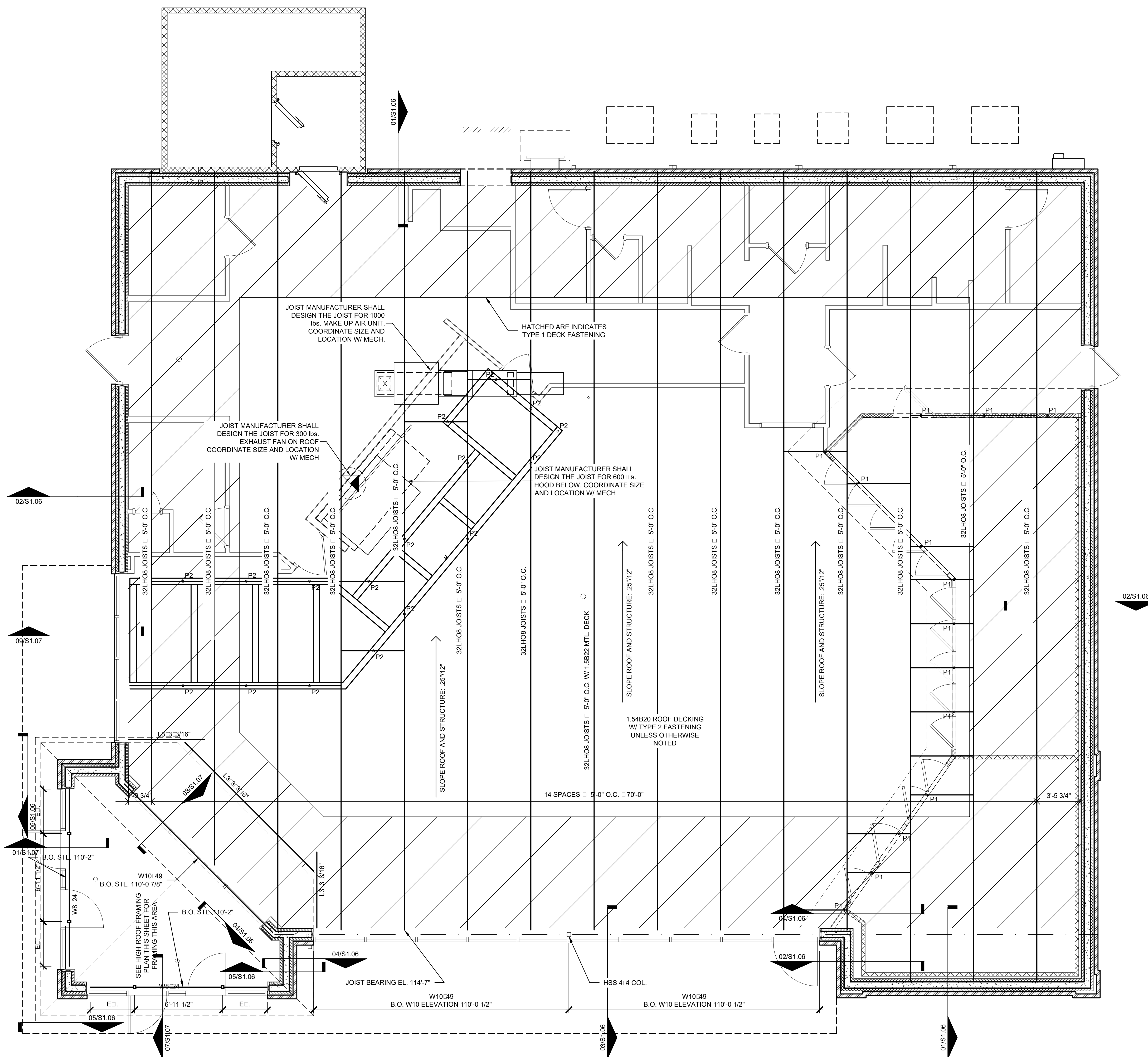
02 HIGH ROOF FRAMING PLAN
SCALE: 1/4" = 1'-0"



PROVIDE 5/8" DIA. PERIMETER FASTENING @ 12" o.c.
TYPE 2 METAL ROOF DECK FASTENING PATTERN
SCALE: 1/4" = 1'-0"



PROVIDE 5/8" DIA. PERIMETER FASTENING @ 6" o.c.
TYPE 1 HATCHED AREA METAL ROOF DECK FASTENING PATTERN
SCALE: 1/4" = 1'-0"



01 LOW ROOF FRAMING PLAN
SCALE: 1/4" = 1'-0"

NOTES:
1. MANUFACTURER SHALL PROVIDE BRIDGING PER SJI REQUIREMENTS
2. P1 ON THE PLAN INDICATES A 250 LB. POINT LOAD FROM PARTITION WALLS ABOVE THE COOLER WALLS TO BE SUSPENDED FROM THE BOTTOM CHORD OF THE JOISTS. WHERE HANGERS DO NOT LINE UP DIRECTLY WITH JOIST PROVIDE P5500 UNISTRUT BETWEEN JOIST SIMILAR TO 1/S113.
3. P2 ON THE PLAN INDICATES A 150 LB. LOAD TO BE SUSPENDED FROM THE BOTTOM CHORD OF THE JOISTS. SEE SHEET S113 FOR ADDITIONAL INFORMATION.

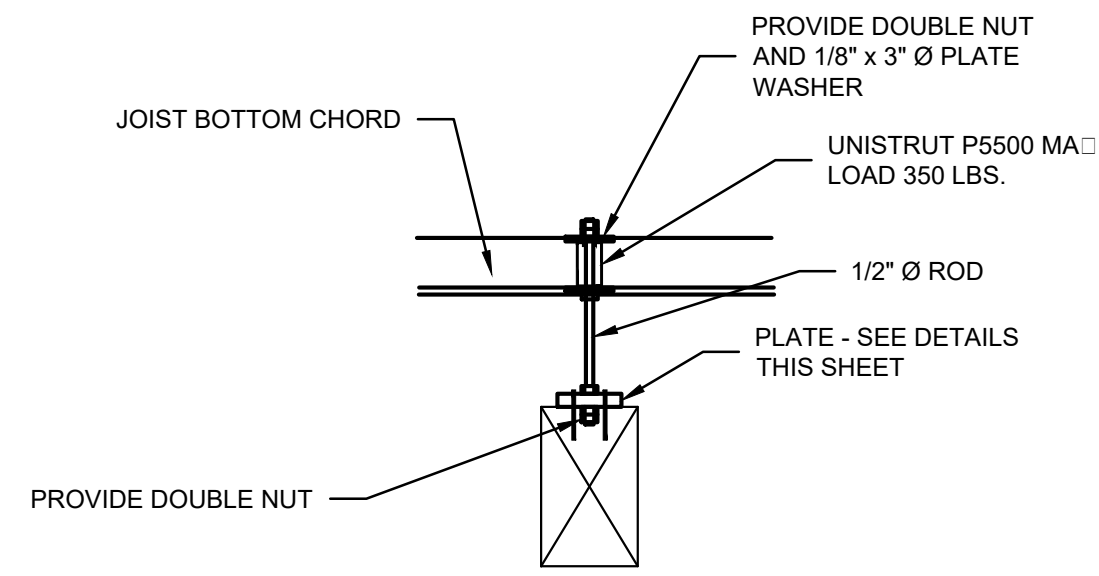
NOTES:
MTL. ROOF DECK FASTENING, USE 36/7 #12 TEK SCREW FASTENER PATTERN AT EA. JOIST.



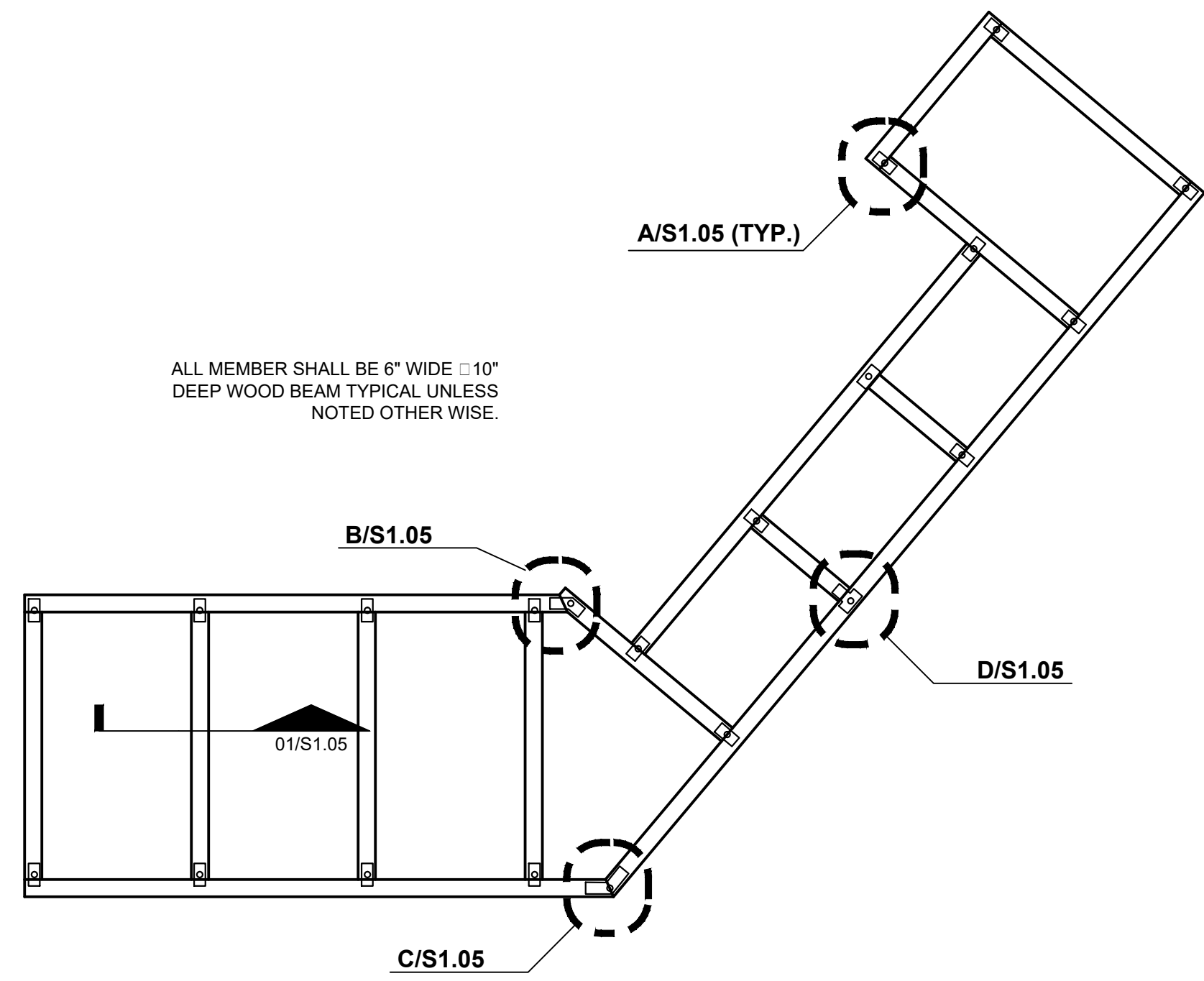
KEYES ARCHITECTS & ASSOCIATES
4717 PRESTON HIGHWAY
LOUISVILLE, KENTUCKY 40213 (502) 636-5113

NEWCOMB OIL CO., LLC.
FIVESTAR STORE #4950
38 DEAD READY LANE
LEBANON KY 40033

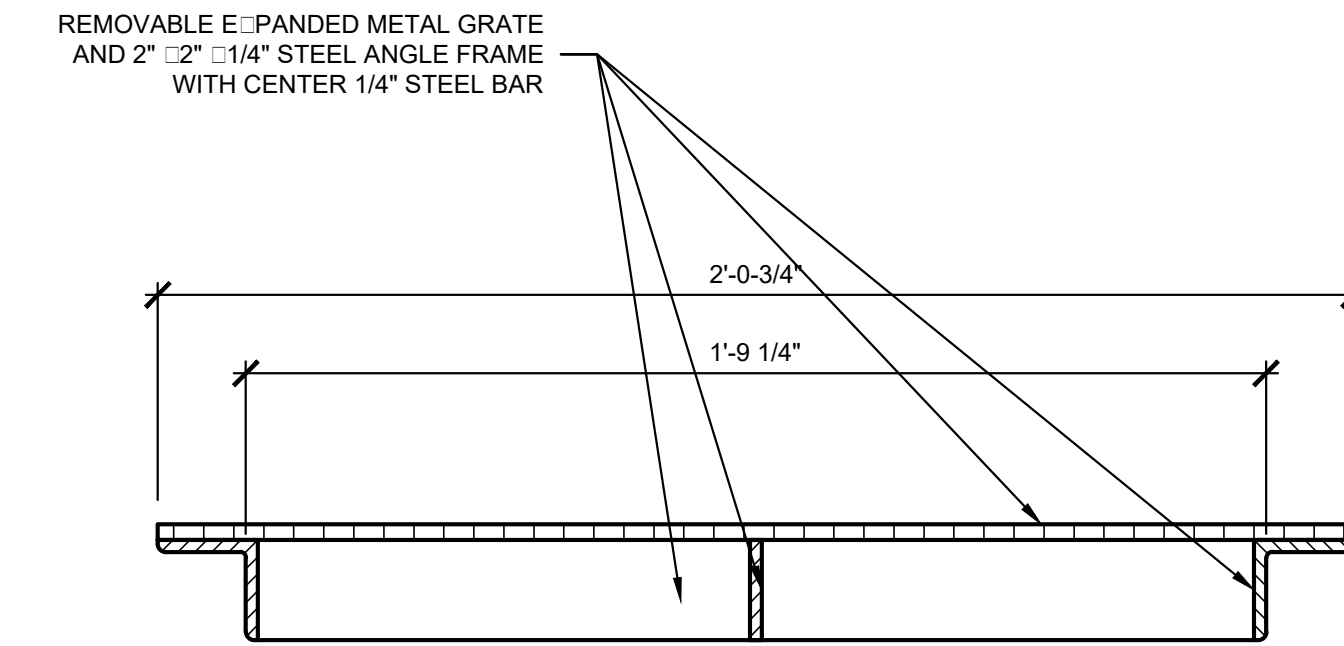
Keyes Architects and Associates expressly reserves its common law copyright and other property rights in these documents. These documents are considered proprietary information and shall not be upgraded, changed or copied in any form or matter without the express written permission and consent of Keyes Architects and Associates, 3005 Tay or Boulevard, Louisville, Kentucky 40208



01 SECTION
SCALE: 1" □ 1'-0"



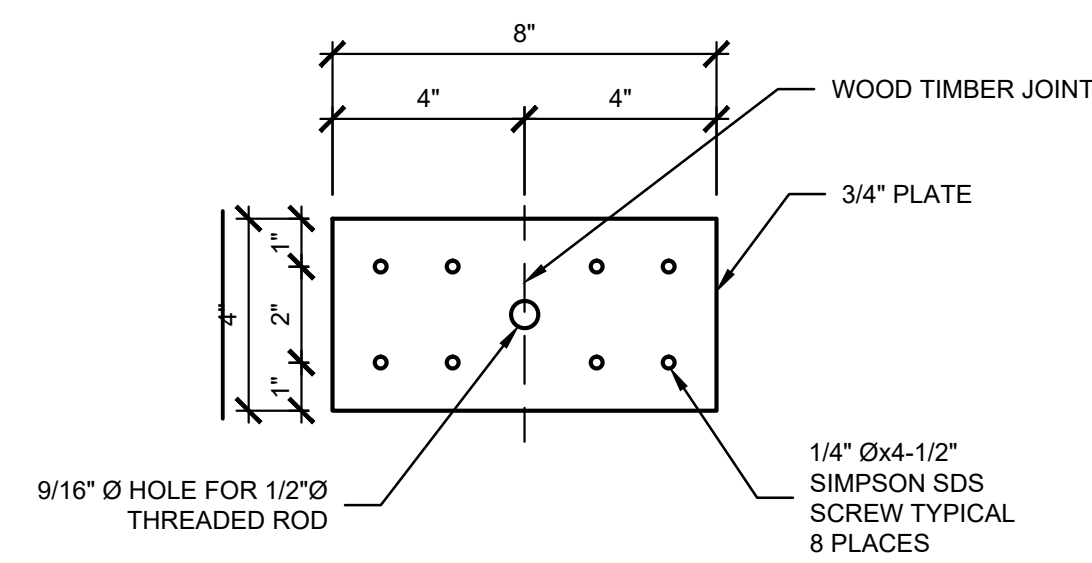
02 WOOD CEILING ELEMENT FRAMING PLAN
SCALE: 1/4" □ 1'-0"



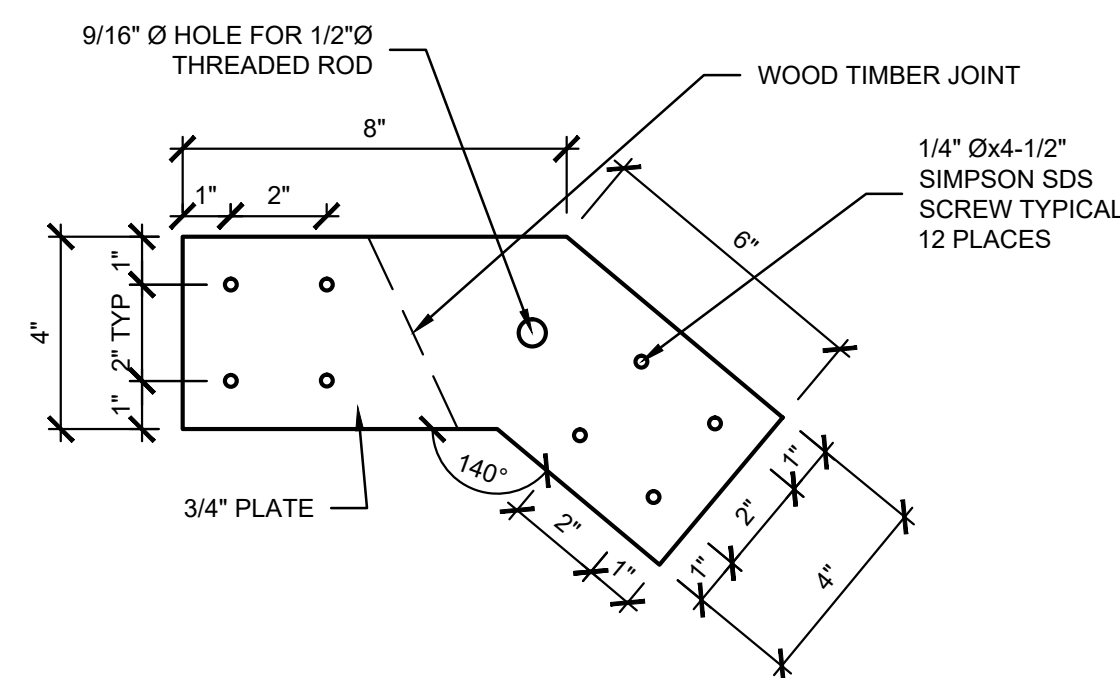
03 FLOOR SINK SECTION
SCALE: 3" □ 1'-0"



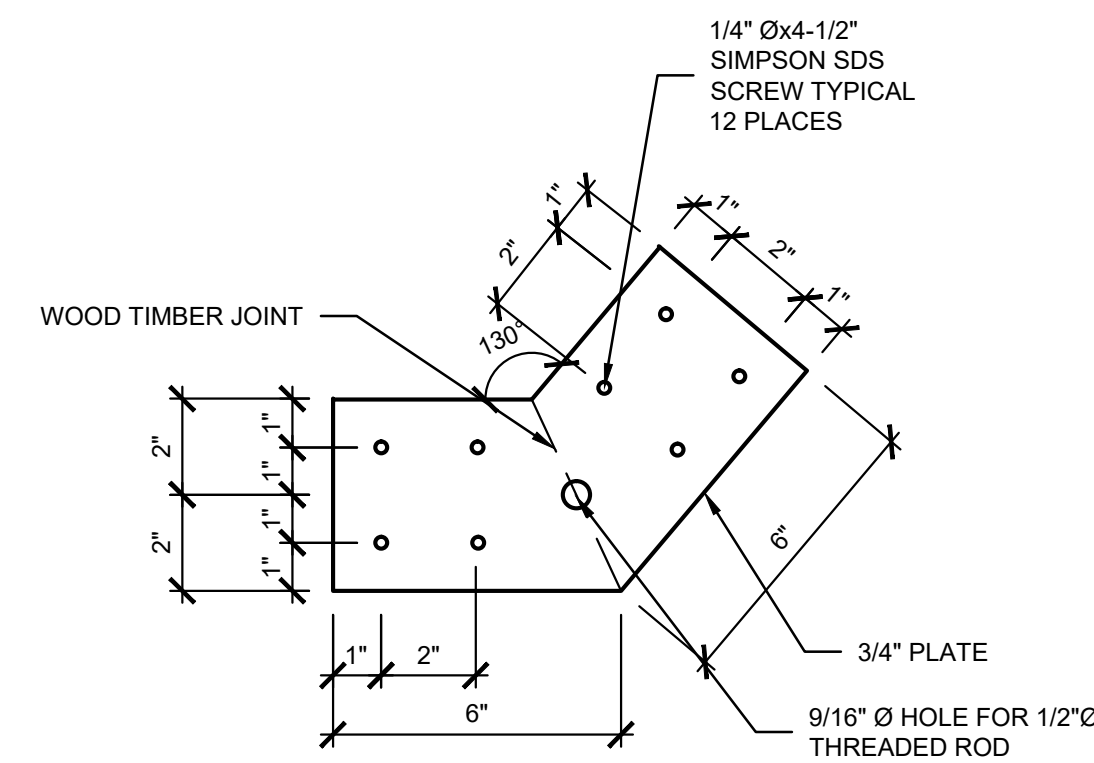
KEYES ARCHITECTS & ASSOCIATES
4717 PRESTON HIGHWAY
LOUISVILLE, KENTUCKY 40213 (502) 636-5113



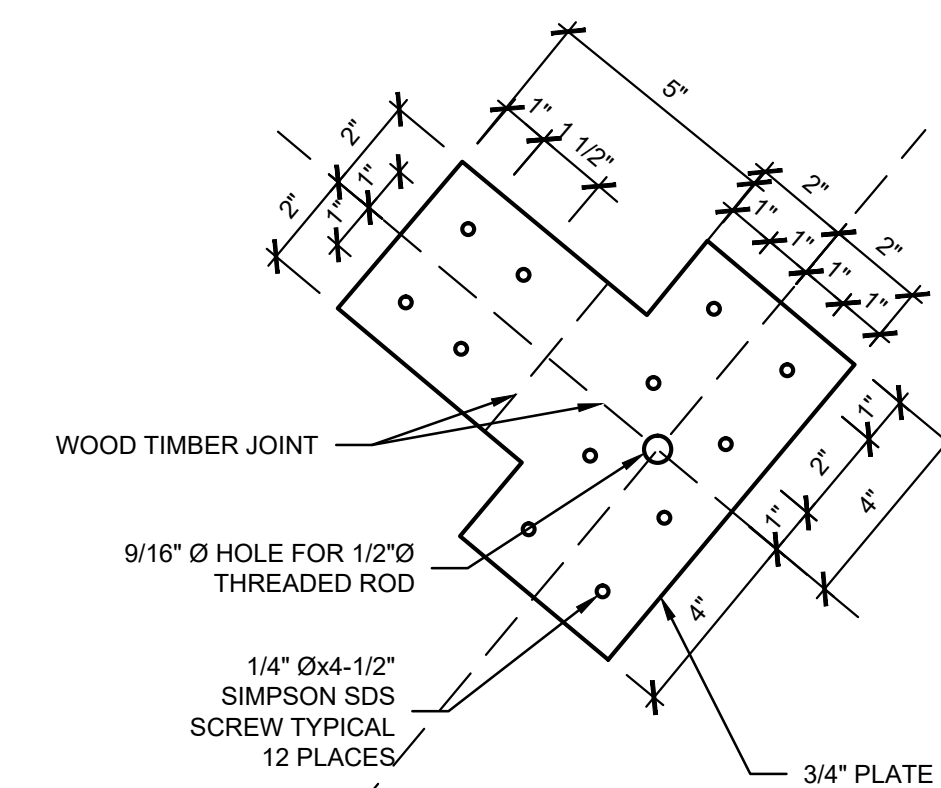
A DETAIL
SCALE: 3" □ 1'-0"



B DETAIL
SCALE: 3" □ 1'-0"

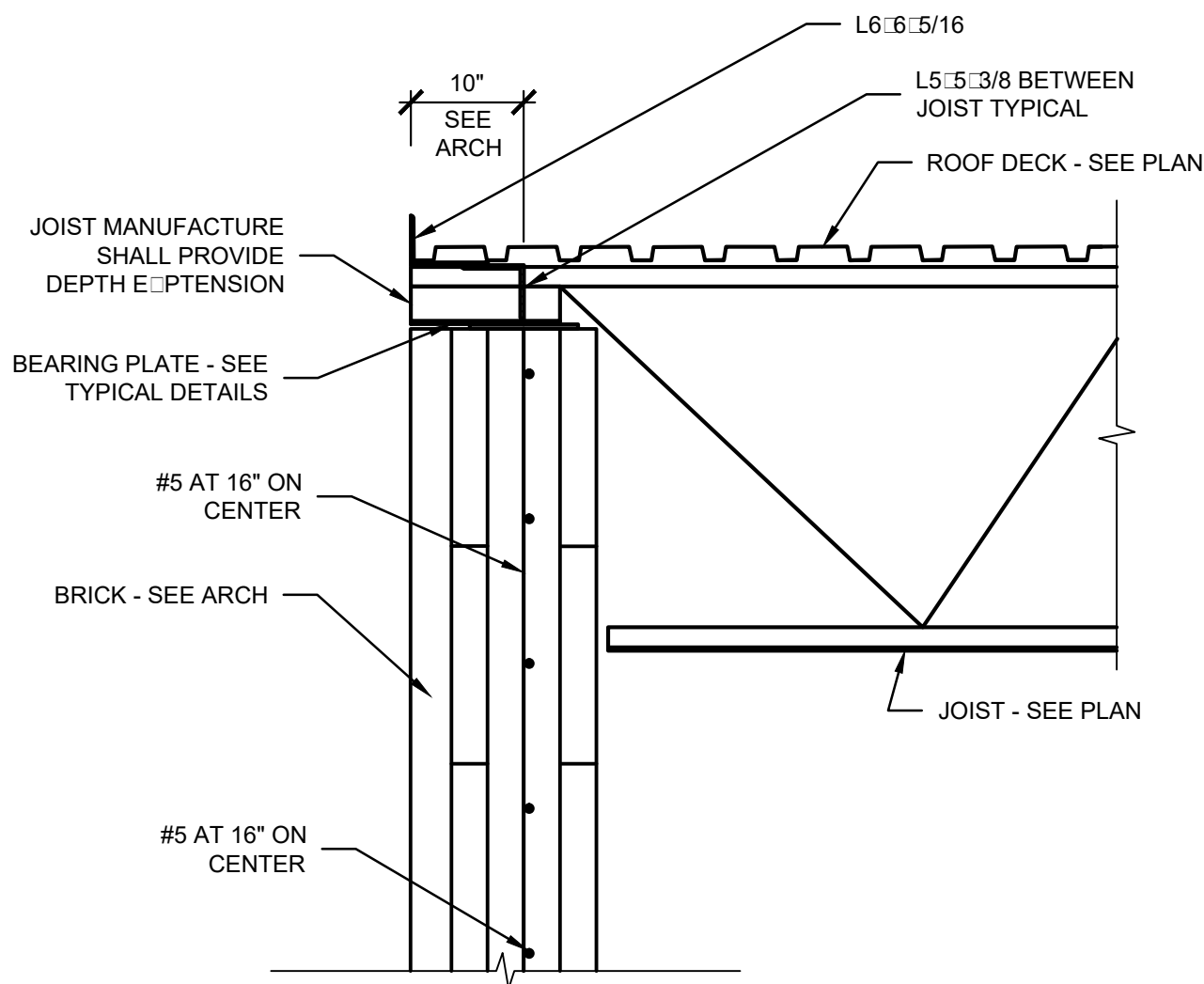


C DETAIL
SCALE: 3" □ 1'-0"

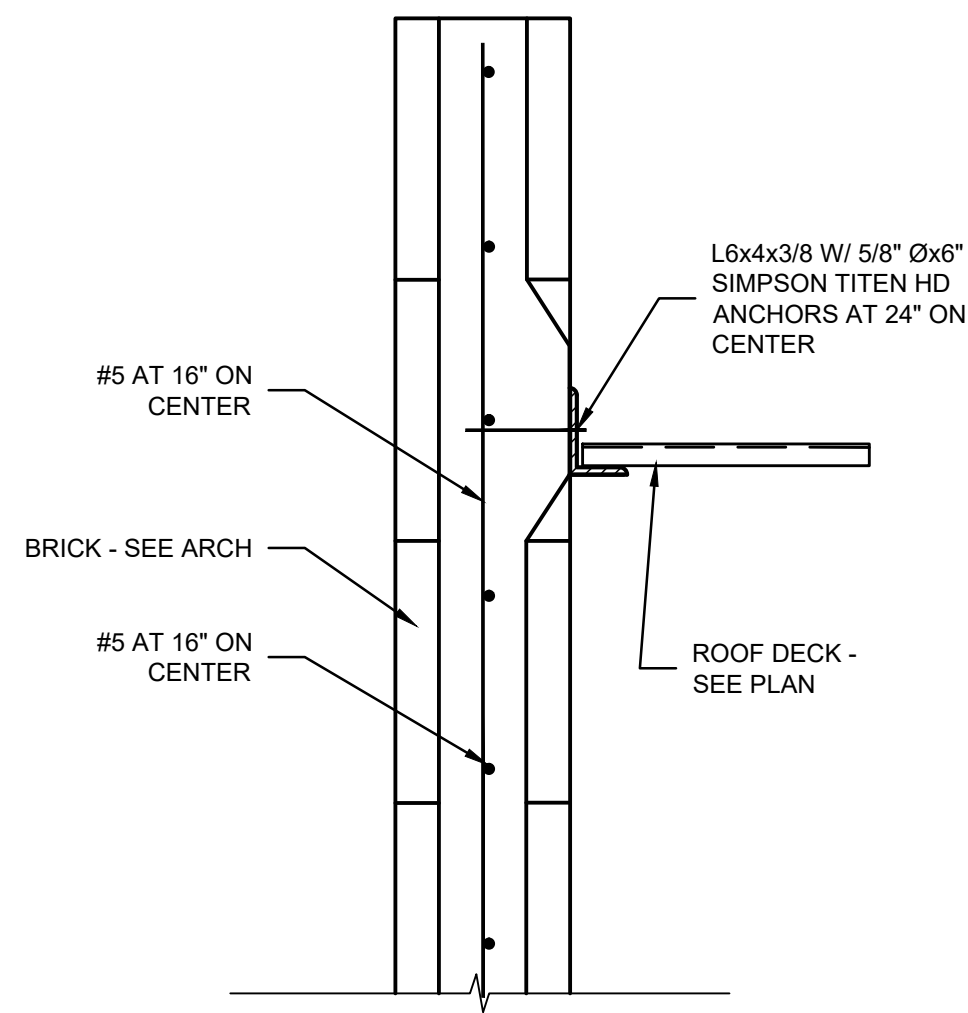


D DETAIL
SCALE: 3" □ 1'-0"

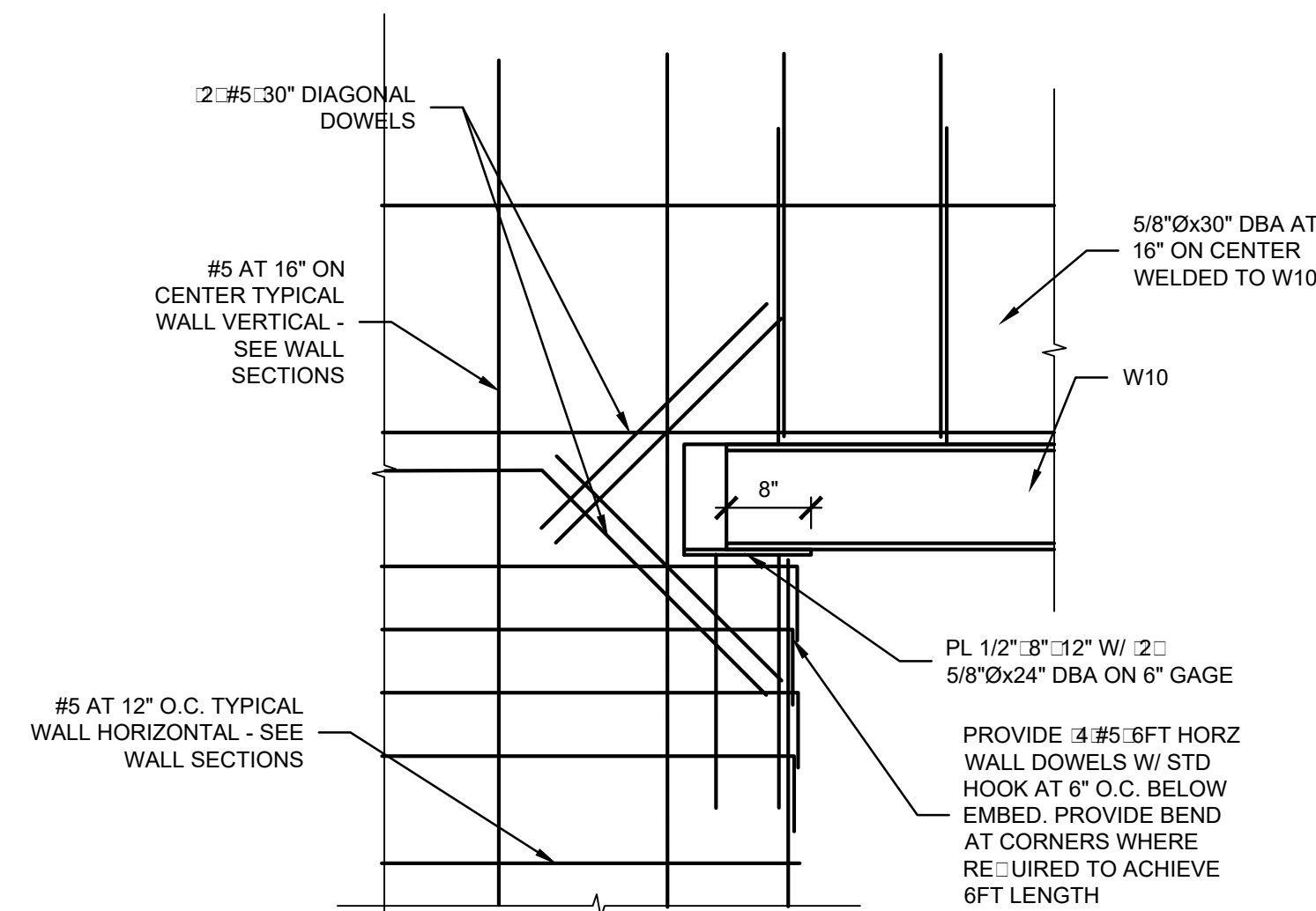
FIVESTAR STORE #4950
NEWCOMB OIL CO., LLC.
38 DEAD READY LANE
LEBANON, KY 40033



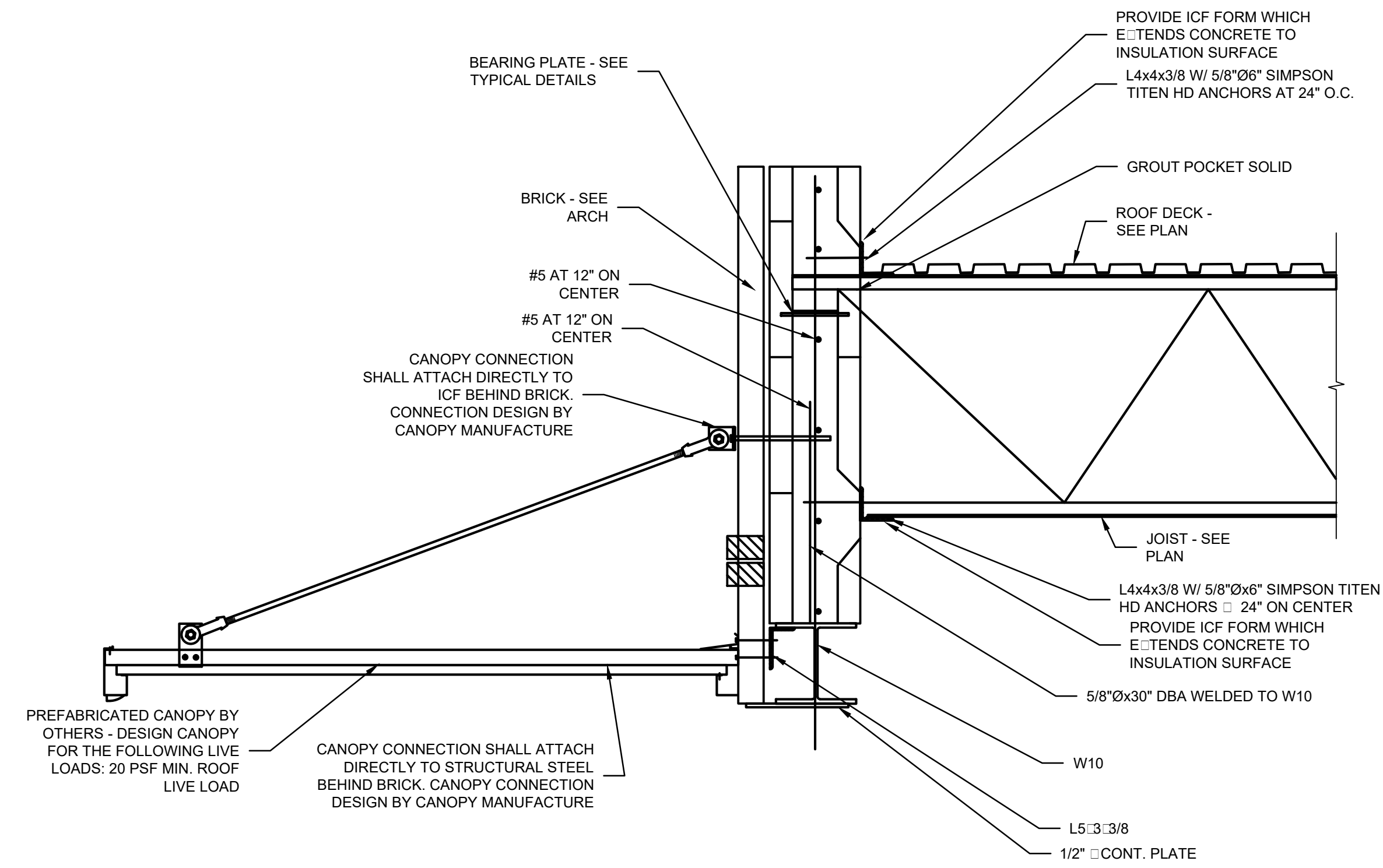
01 SECTION
SCALE: 3/4" □ 1'-0"



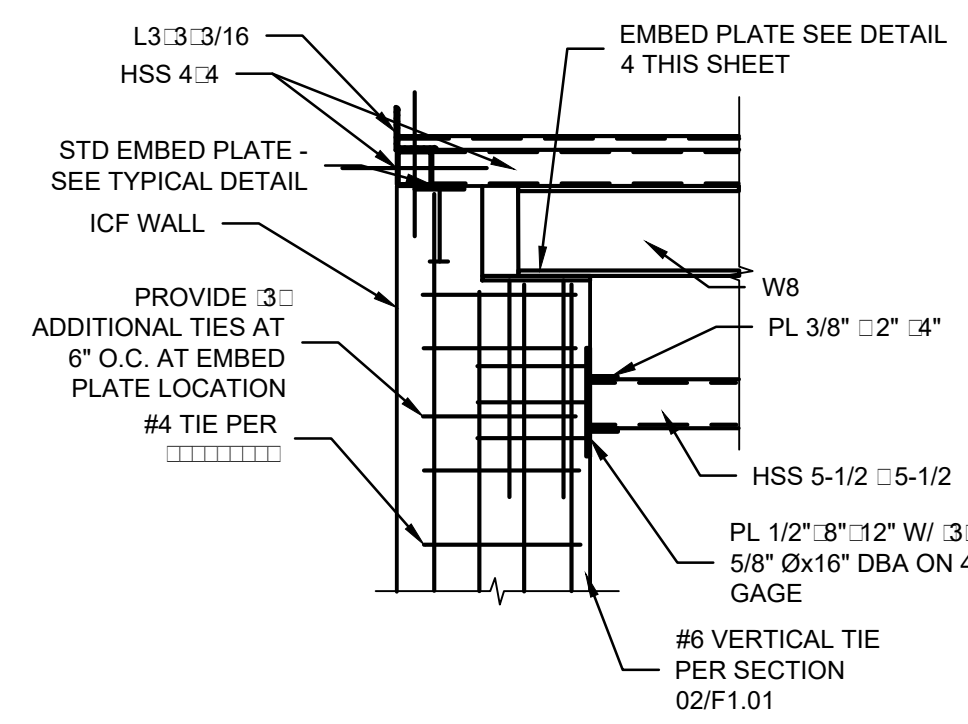
02 SECTION
SCALE: 3/4" □ 1'-0"



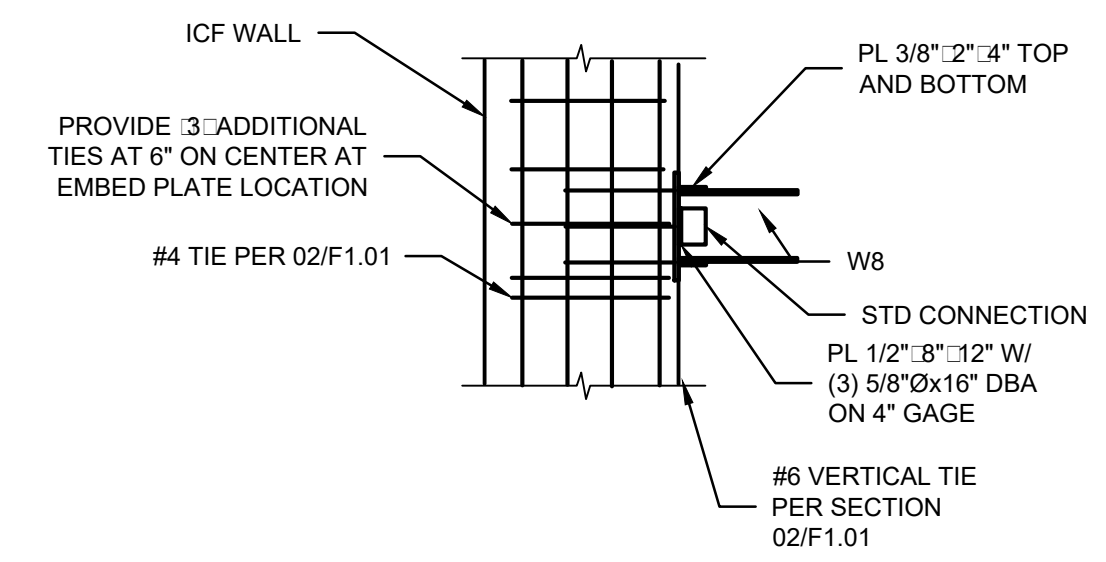
04 SECTION
SCALE: 3/4" □ 1'-0"



03 SECTION
SCALE: 3/4" □ 1'-0"



05 SECTION
SCALE: 3/4" □ 1'-0"



06 SECTION
SCALE: 3/4" □ 1'-0"

PROJECT: NEWCOMB OIL CO., LLC. - FILE: S1-06 Structural Sections & Details.dwg. DATE: Jan 25, 2021 9:31AM. BY: HAROLD CO.



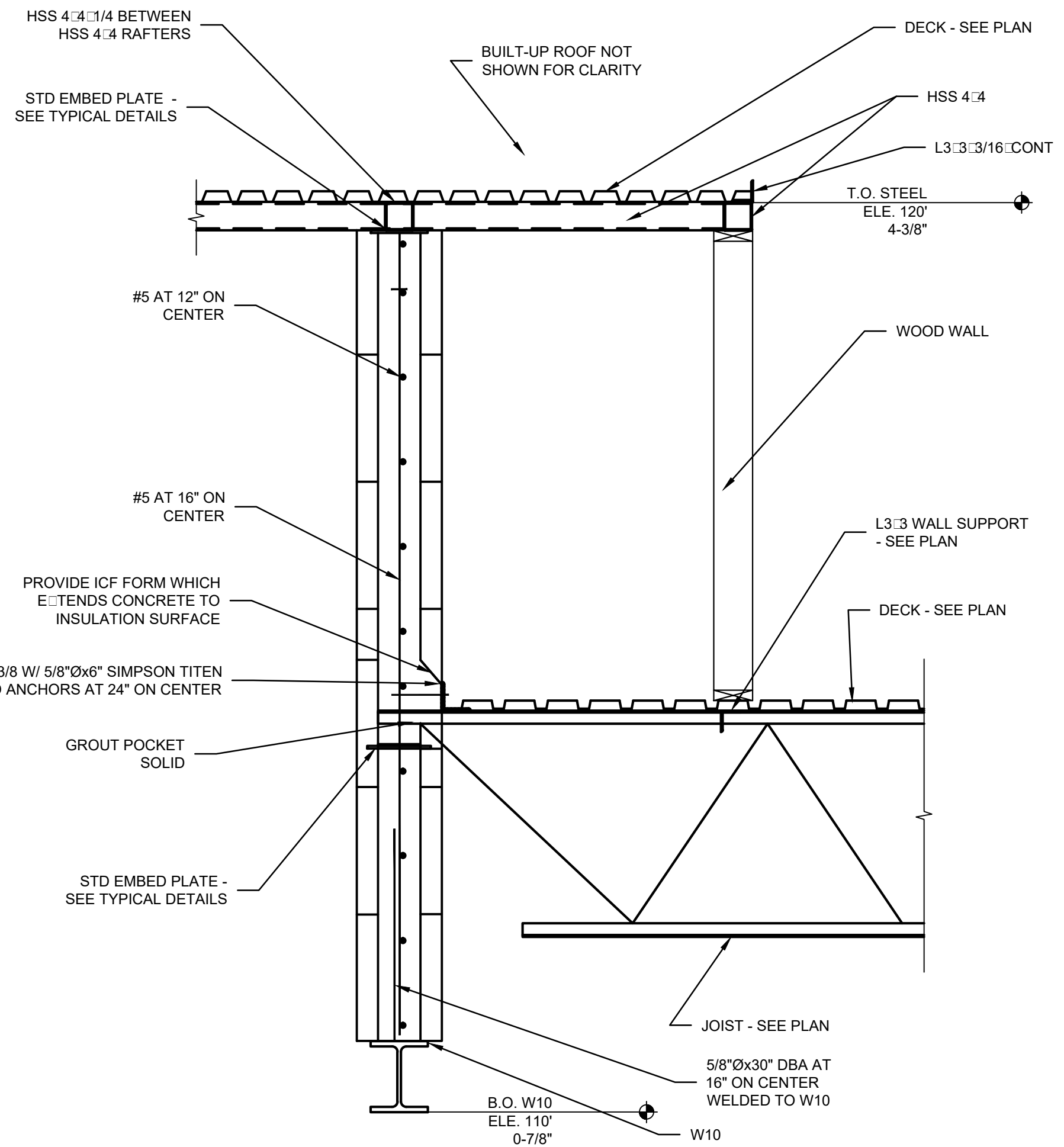
KEYES ARCHITECTS & ASSOCIATES
4717 PRESTON HIGHWAY
LOUISVILLE, KENTUCKY 40213 (502) 636-5113

FIVESTAR STORE #4950
NEWCOMB OIL CO., LLC.
38 DEAD READY LANE
LEBANON KY 40033

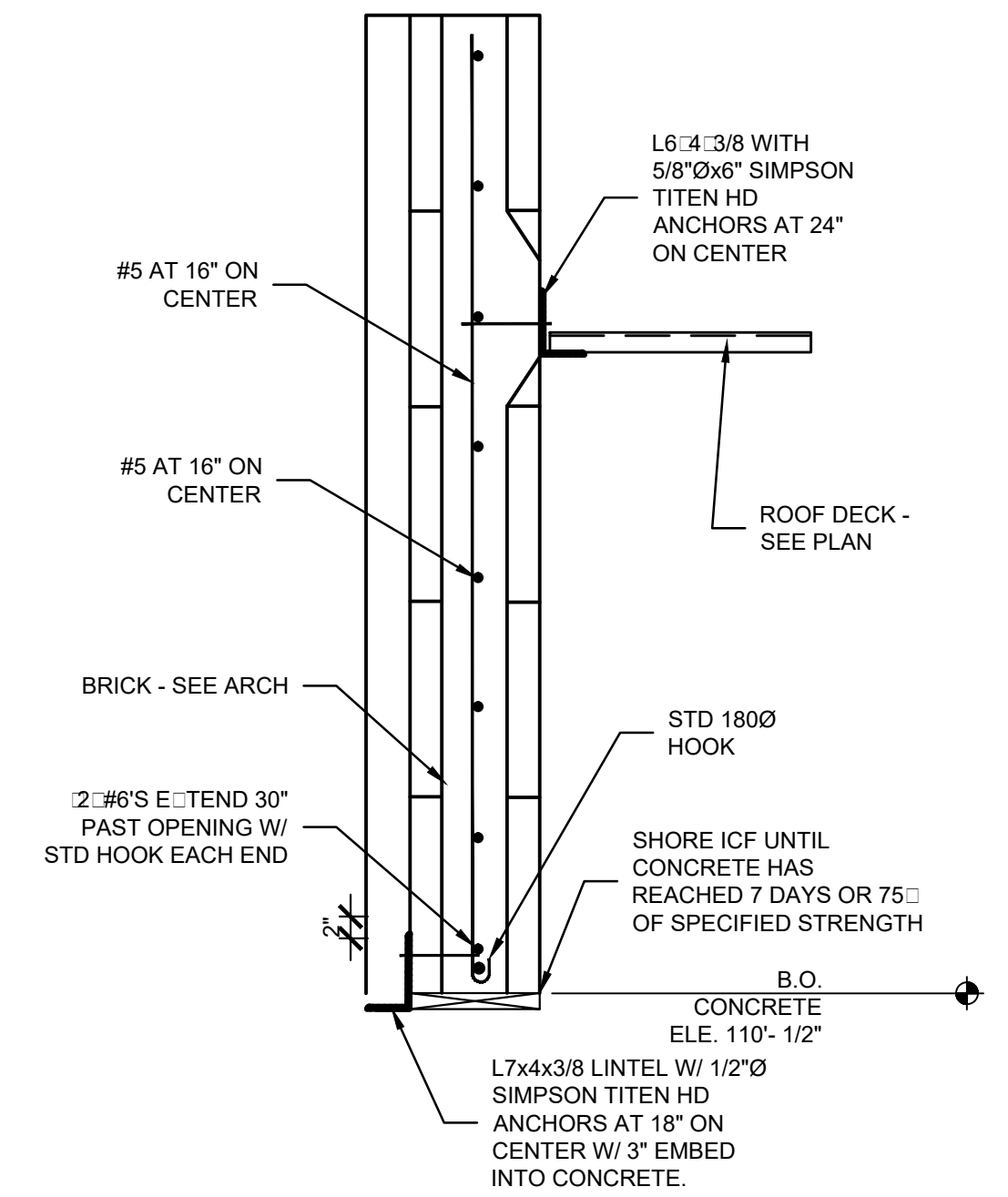
Keyes Architects and Associates expressly reserves its common law copyright and other property rights in these documents. These documents are considered proprietary information and shall not be upgraded, changed or copied in any form or matter without our prior written permission and consent of Keyes Architects and Associates, 3005 Tay or Boulevard, Louisville, Kentucky 40208

STRUCTURAL SECTIONS & DETAILS

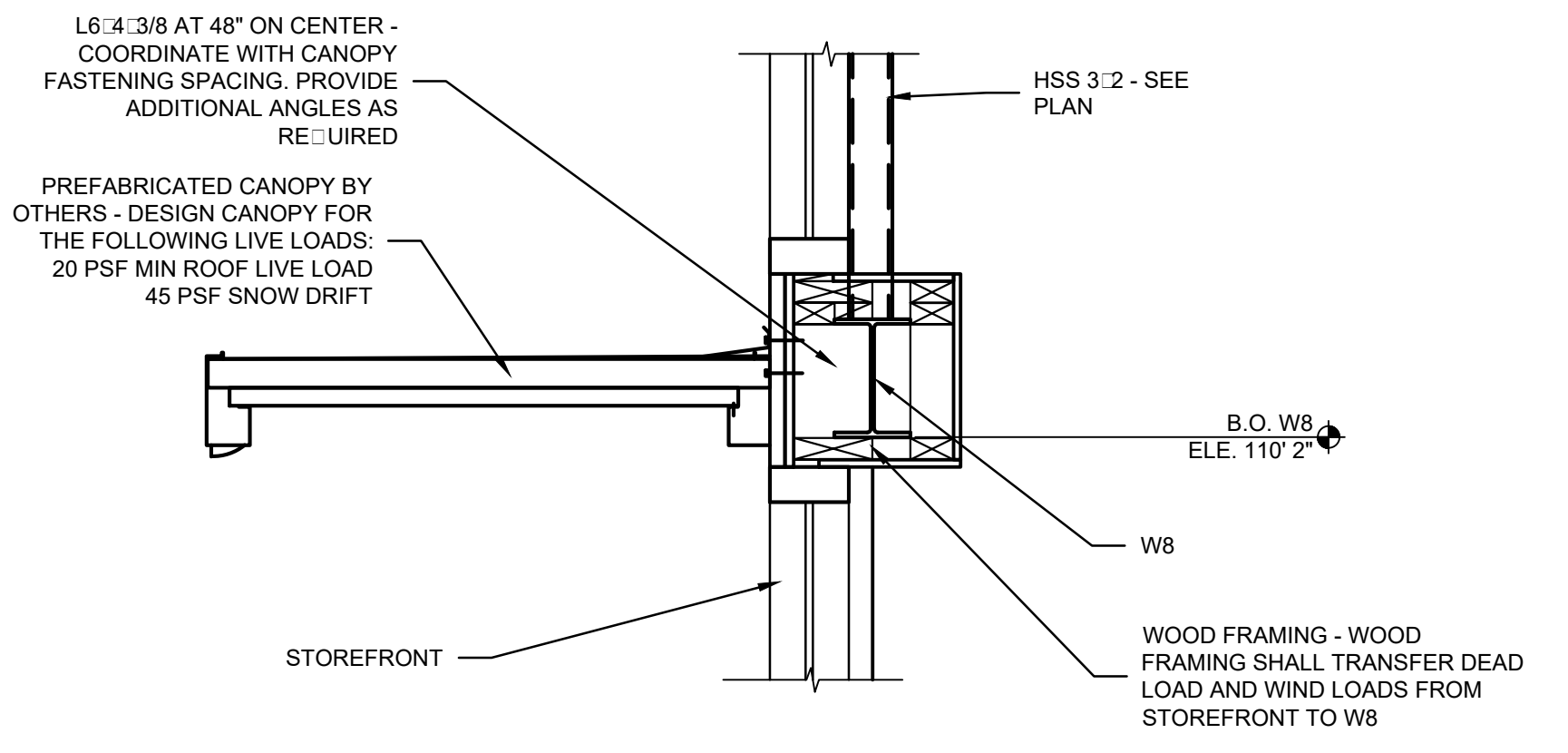
S1.06



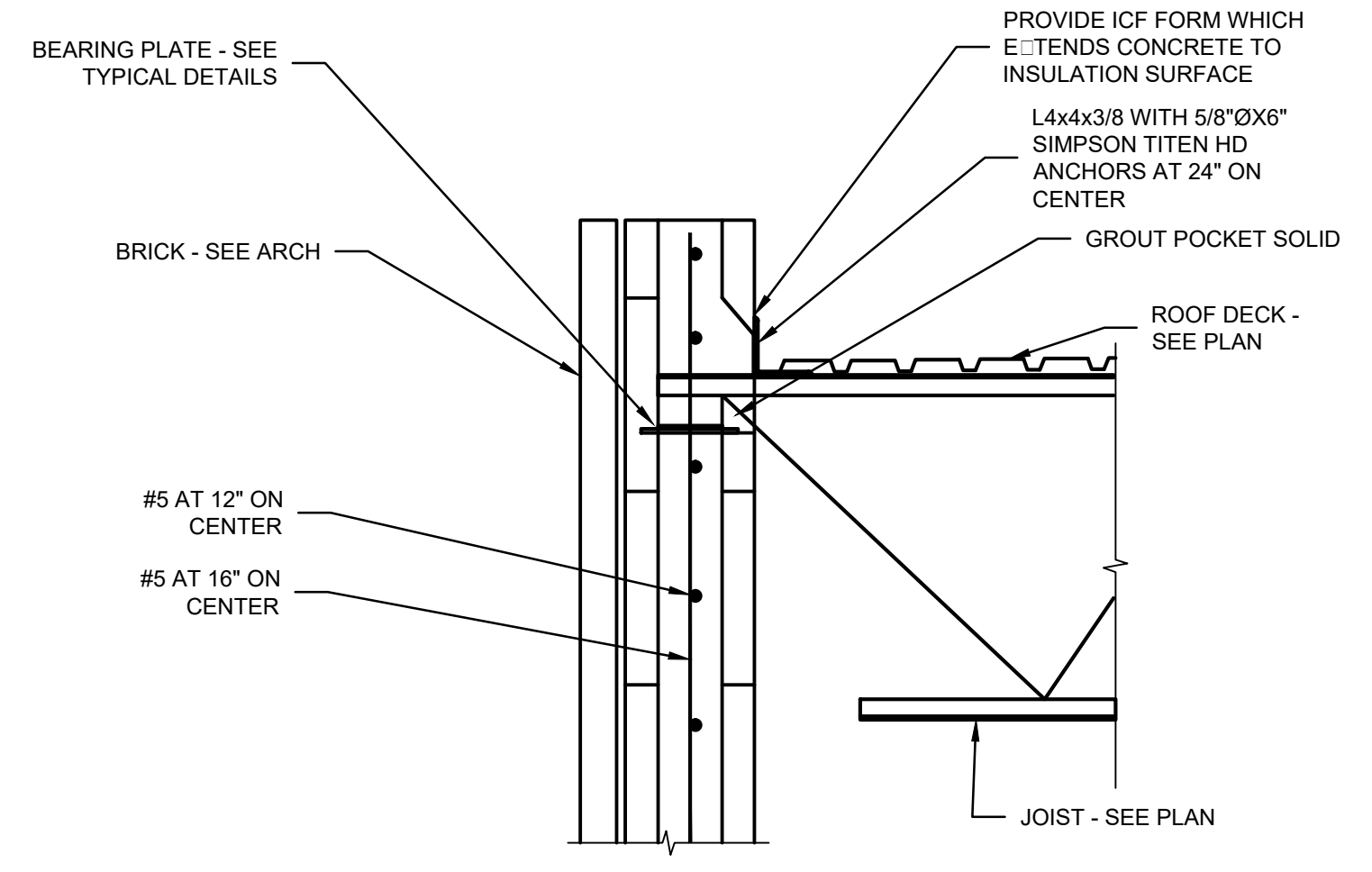
08 SECTION
SCALE: 3/4" = 1'-0"



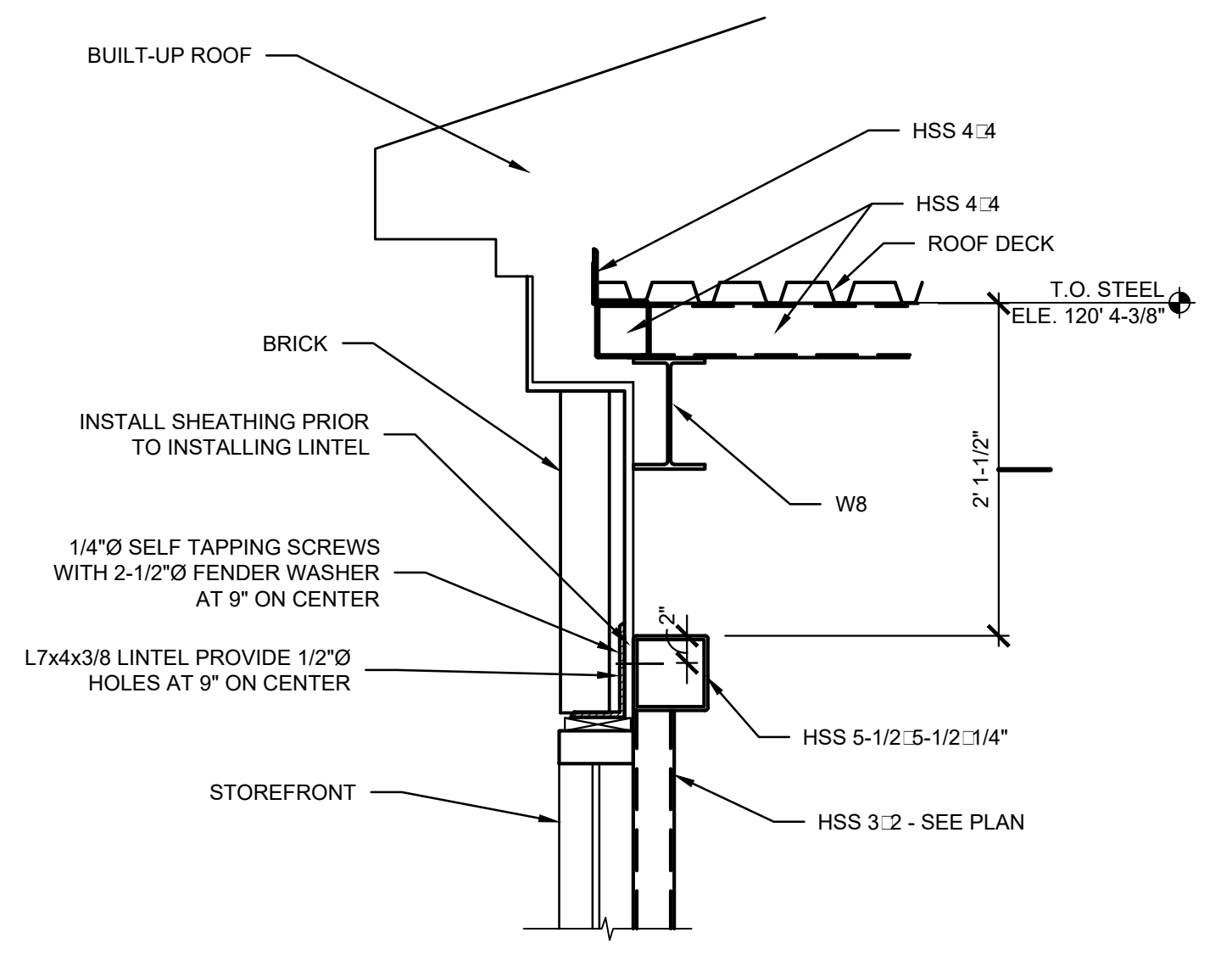
09 SECTION
SCALE: 3/4" = 1'-0"



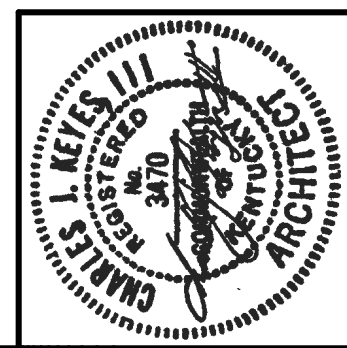
07 SECTION
SCALE: 1" = 1'-0"



11 SECTION
SCALE: 1" = 1'-0"



10 SECTION
SCALE: 1" = 1'-0"



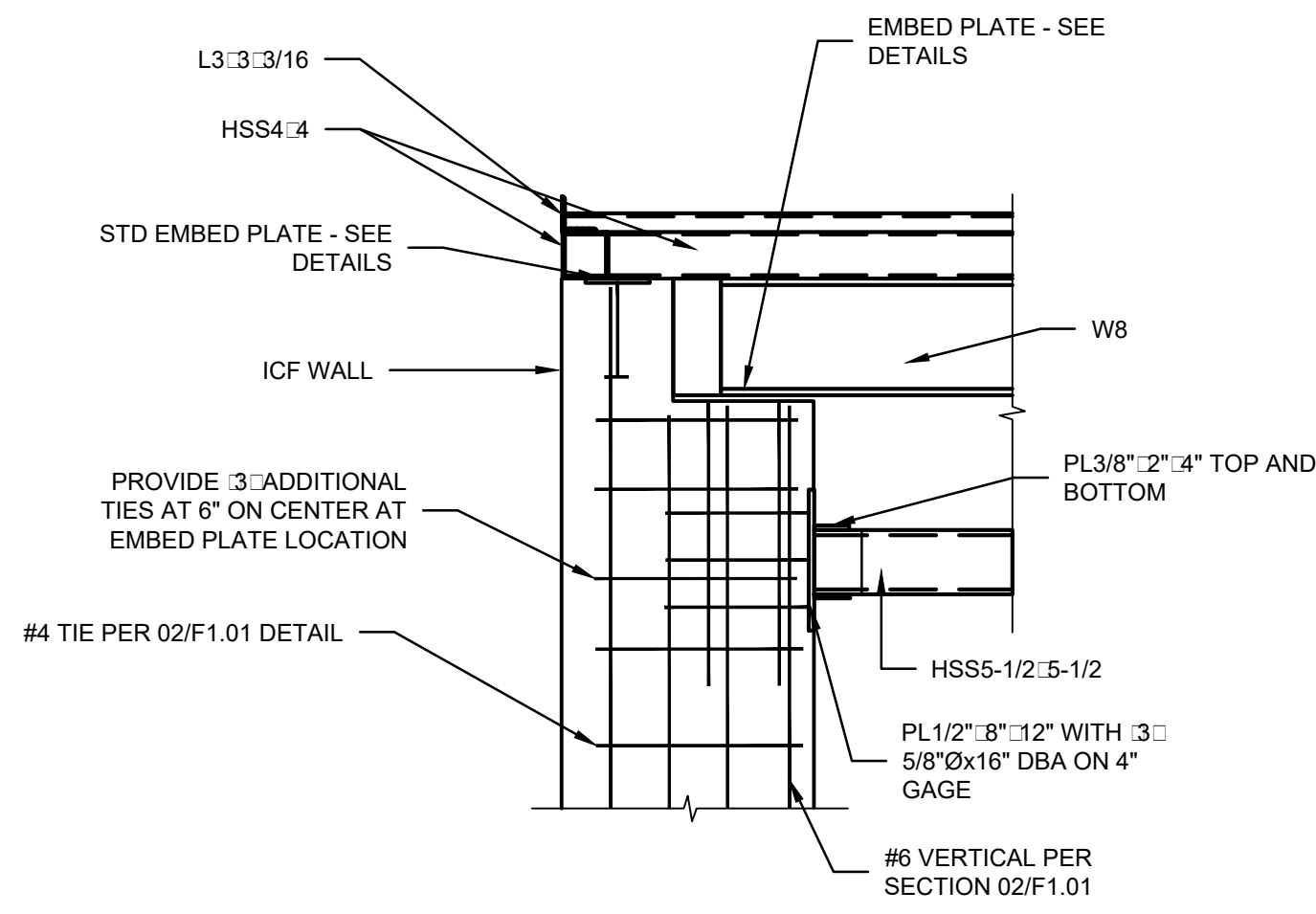
KEYES ARCHITECTS & ASSOCIATES
4717 PRESTON HIGHWAY
LOUISVILLE, KENTUCKY 40213 (502) 636-5113

FIVESTAR STORE #4950
NEWCOMB OIL CO., LLC.
38 DEAD READY LANE
LEBANON, KY 40033

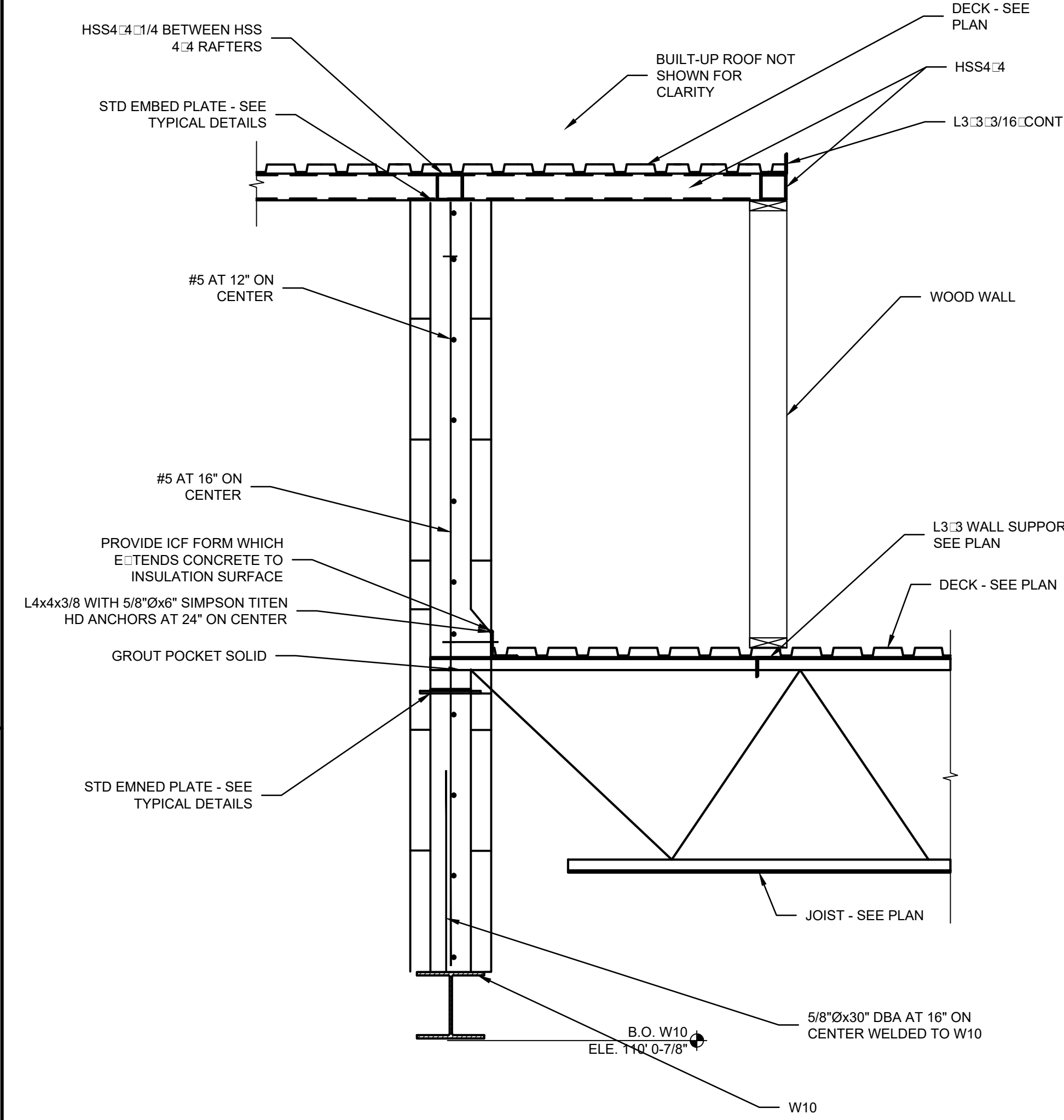
Keyes Architects and Associates expressly reserves its common law copyright and other property rights in these documents. These documents are considered proprietary information and shall not be upgraded, changed or copied in any form or matter without our prior written permission and consent of Keyes Architects and Associates, 3005 Tay or Boulevard, Louisville, Kentucky 40208

STRUCTURAL SECTIONS & DETAILS
S1.07

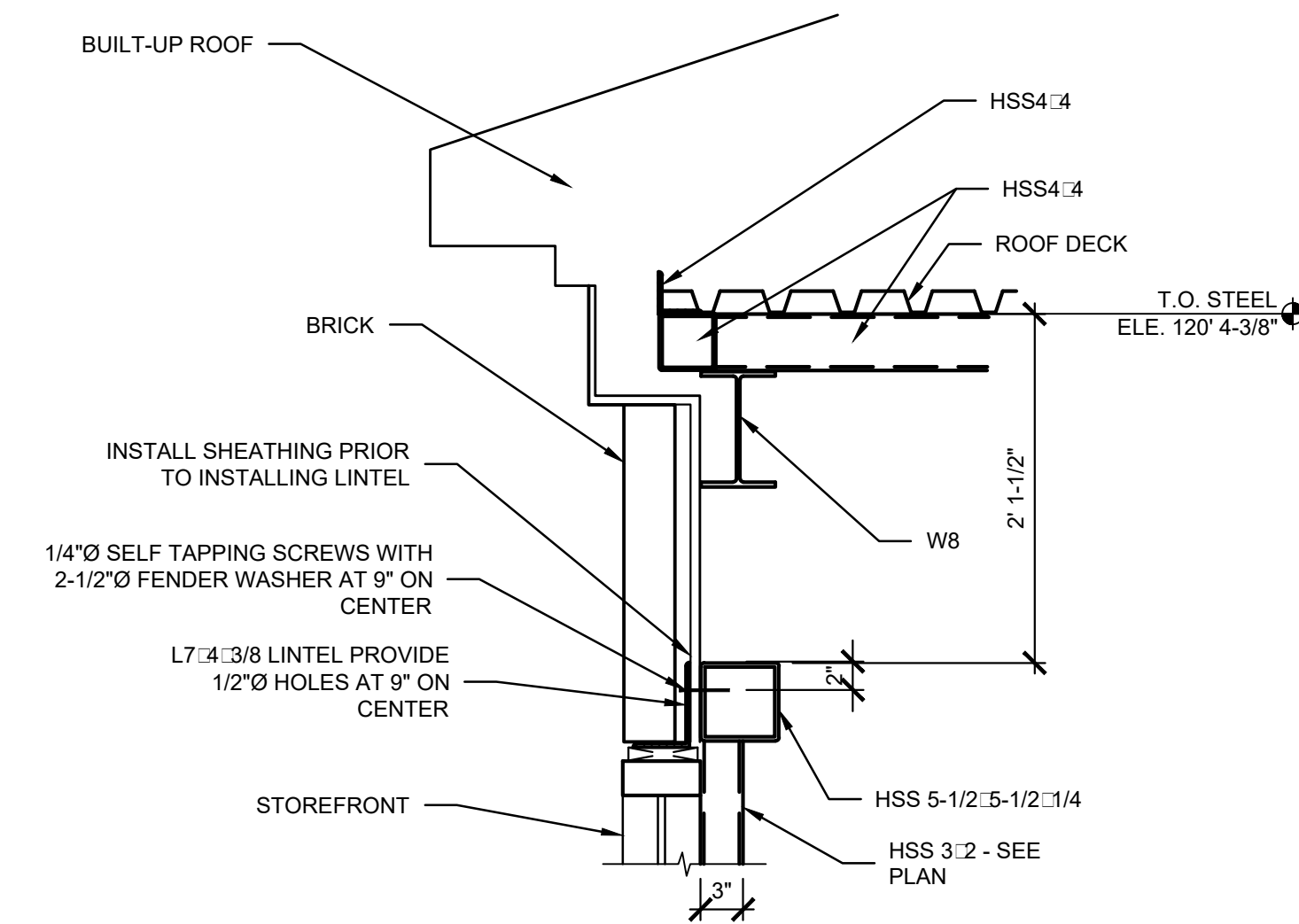
PROJECT: NEWCOMB OIL CO., LLC. - FILE: S1.07 Structural Sections & Details.dwg - DATE: Jan 25, 2021 9:31 AM - BY: HAROLD CO.



06 SECTION
SCALE: 3/4" □ 1'-0"



08 SECTION
SCALE: 3/4" □ 1'-0"



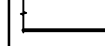

10 SECTION
SCALE: 1" □ 1'-0"



KEYES ARCHITECTS & ASSOCIATES
4717 PRESTON HIGHWAY
LOUISVILLE, KENTUCKY 40213 (502) 636-5113

FIVESTAR STORE #4850
NEWCOMB OIL CO., LLC.
38 DEAD READY LANE
LEBANON, KY 40033

WALL LEGEND

-  2x4 WOOD STUD WALL
 -  I.C.F. WALLS TO BE INSTALLED PER MANUFACTURERS RECOMMENDATIONS.
- ALL MATERIALS ARE SIZES LISTED IN THIS LEGEND UNLESS OTHERWISE DIMENSIONED ON THIS PLAN OR SPECIFIED IN THE DETAILS AT A DIFFERENT SIZE

GENERAL NOTES:

- A. THESE DRAWINGS ARE DIAGRAMMATIC IN NATURE, FIELD VERIFY ALL CONDITIONS. QUANTITIES AND MATERIALS. REPORT DISCREPANCIES TO ARCHITECT FOR CLARIFICATION. DO NOT SCALE DRAWINGS.
- B. CONTRACTOR IS RESPONSIBLE FOR COORDINATION OF ALL CONSTRUCTION. ALL CONTRACTORS OF ALL DISCIPLINES TO COORDINATE CONSTRUCTION PRIOR TO INSTALLATION.
- C. DIMENSIONS ARE TO THE FINISHED FACE OF STUD, CONCRETE, OR ICF UNLESS NOTED OTHERWISE.
- D. ICF: INSTALL PER MANUFACTURERS RECOMMENDATIONS.
- E. ICF: ALL INTERIOR ICF WALLS TO RECEIVE 1/2" MIN. GYP. BD. 3/5 MIN. THERMAL BARRIER. GYP. BD. BEHIND COOLERS AND FREEZERS AND IN RESTROOMS SHALL BE MOISTURE AND MOLD RESISTANT GYP. BD.
- F. ICF: SEE STRUCTURAL DRAWINGS FOR REINFORCING DESIGN IN ICF WALLS
- G. CAULK DOOR JAMBS AND INSIDE CORNERS IN CERAMIC TILE WALLS WITH SANDED CAULK TO MATCH THE GROUT COLOR. ALL OTHER DOOR JAMBS AND MARLITE SHALL BE CAULKED WITH SHERWIN WILLIAMS POWER HOUSE 60 YR. COLOR: TO MATCH PAINT.
- H. INTERIOR WALLS SHALL BE 2x4 WD STUDS 16" O.C. WITH 1/2" GYP BD. EACH SIDE UNLESS NOTED OTHERWISE. WALLS BEHIND COOLER AND FREEZERS SHALL HAVE MOISTURE AND MOLD RESISTANT GYP. BD. PROVIDE BLOCKING IN WALLS FOR DOOR WALL STOPS.
- I. ALL COOLER DOORS SHALL BE INSTALLED 8" A.F.F.
- J. ALL UNISTRUTS SHALL BE INSTALLED OPEN SIDE UP.
- K. ALL DRYWALL CEILINGS SHALL BE GLUED AND SCREWED.
- L. OWNER SHALL VERIFY THAT GEOTECHNICAL CONDITIONS AND SOIL BEARING CAPACITY MEET THE REQUIREMENTS OF THE "FOUNDATION DESIGN" NOTED IN THE STRUCTURAL DRAWINGS.
- M. FILL ALL TRENCHES UNDER PAVEMENT WITH STONE
- N. ALL PROPERTY CORNER PINS SHALL BE ENCASED IN CONCRETE 12" DEEP, 8" DIAMETER AND SHALL BE FLUSH WITH THE GROUND.
- O. ALL 2x4 AND 2x6 WOOD STUDS SHALL BE #2 SPRUCE ONLY.
- P. CONTRACTOR SHALL POLICE THE SITE AFTER COMPLETION OF THE BRICK TO MAKE SURE ALL BRICK AND MORTAR ARE CLEANED UP FROM THE SITE AND NOT BURIED IN THE FOOTING TRENCHES.
- Q. ONLY USE VANITROLL FOR BRICK CLEANING.
- R. SAND TINTED CAULK TO BE USED WHEN CAULKING BRICK EXPANSION JOINTS. CLAY TAN 225-U LRV -19
- S. PROVIDE LOW WEEP VENTS IN VENEER MASONRY BRICK. USE 3/8" HONEYCOMB CELL VENT.
- T. CONTROL JOINTS IN EXTERIOR BUILDING CONCRETE SIDEWALKS AND JOINTS IN BLACK CONCRETE SHALL BE TOoled AND SAW CUT. REFER TO STRUCTURAL DRAWINGS FOR MORE INFORMATION.
- U. THE JOINT BETWEEN THE BUILDING SIDEWALK AND THE BLACK CONCRETE PAD SHALL BE A CONSTRUCTION JOINT NOT AN EXPANSION JOINT. NO EXPANSION MATERIAL SHALL BE INSTALLED.
- V. NEWCOMB OIL SHALL CHECK WALLS FOR ALIGNMENT, LOCATION OF ELECTRICAL AND PLUMBING AND STRING LINE THE WALLS PRIOR TO DRYWALL BEING INSTALLED.
- W. THE CANOPY CONTRACTOR SHALL INSTALL CANOPY SIGNS. THE BUILDING ELECTRICAL CONTRACTOR SHALL INSTALL THE BUILDING SIGNS.
- X. SEE CIVIL DRAWINGS FOR BOLLARD LOCATION. SEE DETAIL 02/A5.02 FOR BOLLARD DETAIL.

- NOTE:** ALL DIMENSIONS ARE TO FACE OF STUD
- NOTE:** GENERAL CONTRACTOR RESPONSIBLE FOR COORDINATION OF ALL SUB TRADES AND REQUIREMENTS BY OWNER
- NOTE:** ELECTRICAL, HVAC AND PLUMBING TO BE RELOCATED PER FEDERAL, STATE AND LOCAL CODES. GENERAL CONTRACTOR TO COORDINATE.

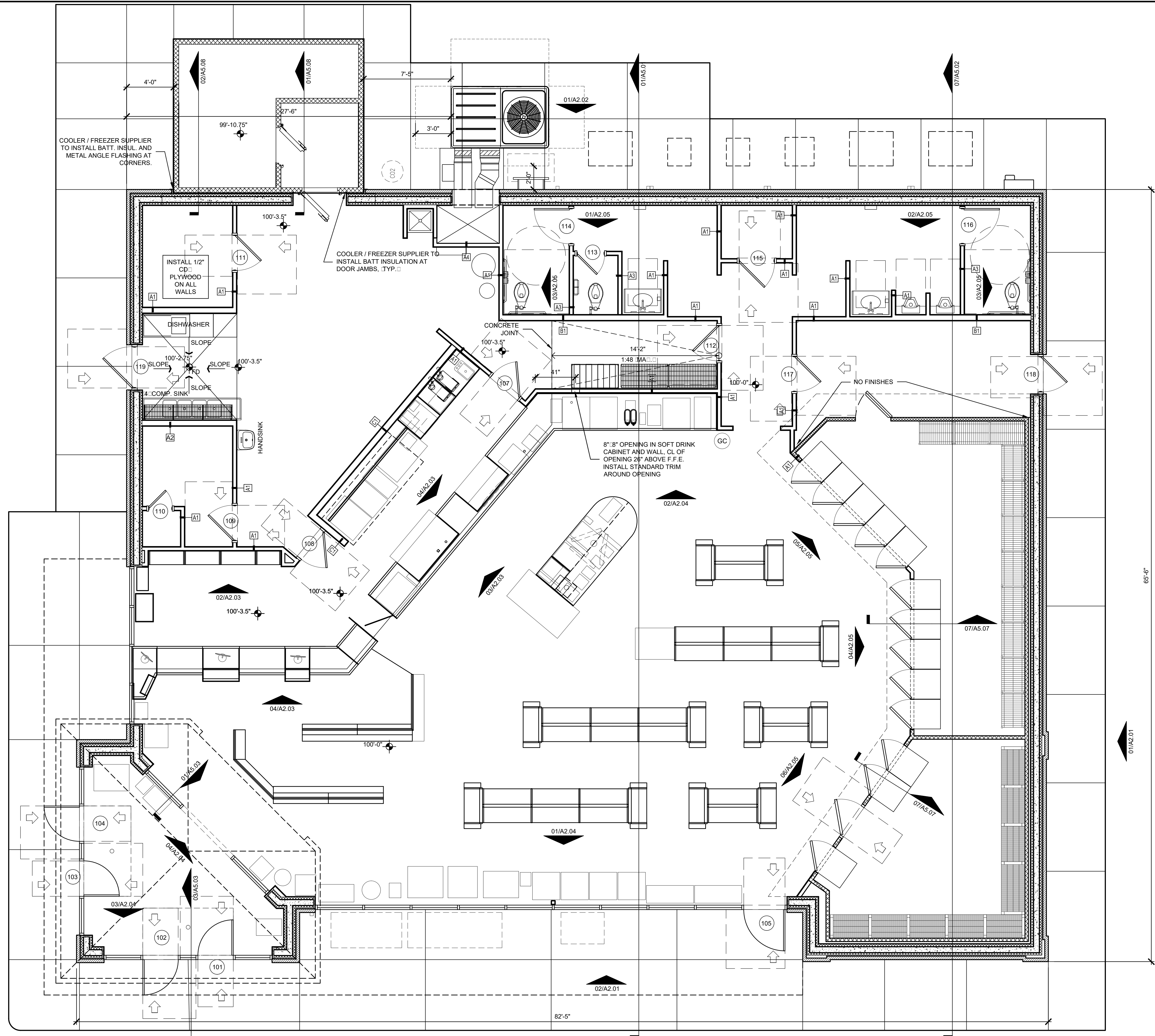
Keyes Architects and Associates expressly reserves its common law copyright and other property rights in these documents. These documents are considered proprietary information and shall not be upgraded, changed or copied in any form or matter without the express written permission and consent of Keyes Architects and Associates, 3005 Tay or Boulevard, Louisville, Kentucky 40208



KEYES ARCHITECTS & ASSOCIATES
4717 PRESTON HIGHWAY
LOUISVILLE, KENTUCKY 40213 (502) 636-5113

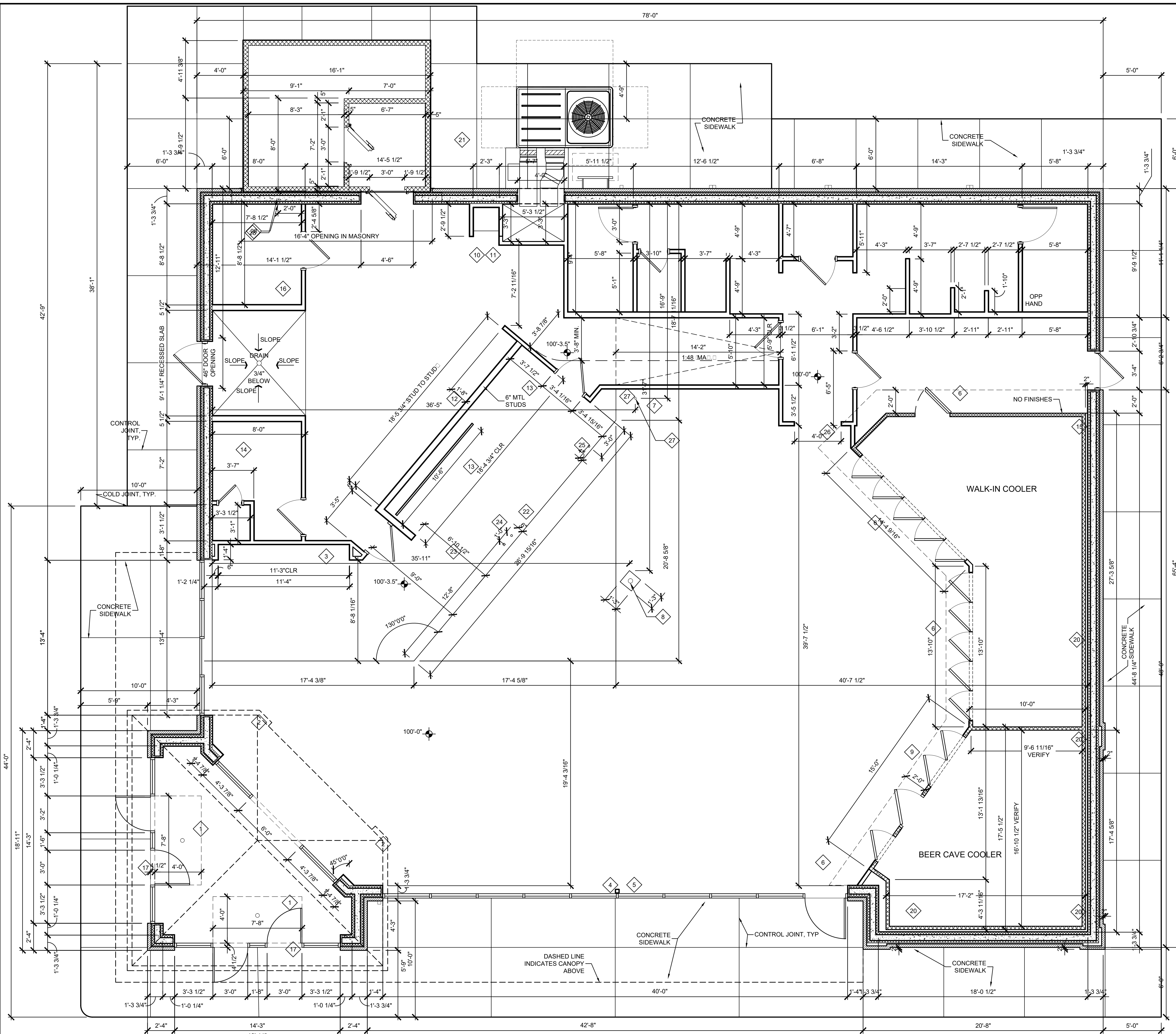
NEWCOMB OIL CO., LLC.
38 DEAD READY LANE
LEBANON KY 40033

FIVESTAR STORE #4950
FLOOR PLAN
A1.01



01 FLOOR PLAN
SCALE: 1/4" = 1'-0"

PROJECT: NEWCOMB OIL CO., LLC. - FILE: A1.01.Floor Plan.dwg - DATE: Jan 25, 2021 9:31AM - BY: HAROLD CO.

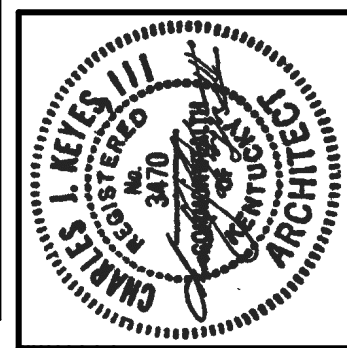


SHEET NOTES:

- 1 McNICHOLS QUALITY DURAGRID PULTRUDED FIBERGLASS GRATING PART NO. F112106542/W McNICHOLS QUALITY FIBERGLASS EMBEDMENT ANGLE PART NO. F1FE111520
- 2 2:4 FURRING AROUND PLUMBING VENT.
- 3 INSTALL A STUD CENTERED ON CLOSET BACK WALL TO SERVE AS VERTICAL BLOCKING FOR OWNER INSTALLED EQUIPMENT.
- 4 PAINT ALL SURFACE MOUNTED CONDUIT FOR ELECTRICAL BOXES "BLACK".
- 5 TUBE STEEL COLUMN, PAINT "BLACK". REFER TO STRUCTURAL DRAWINGS.
- 6 DASHED LINE INDICATES 1" RIGID INSULATION UNDER COOLERS
- 7 8" B OPENING IN SOFT DRINK CABINET AND WALL, CL OF OPENING 32" ABOVE RAMP. INSTALL STANDARD TRIM AROUND OPENING.
- 8 SLAB OPENING FOR UTILITIES. REFER TO ELEC. AND PLUMB. DRAWINGS VERIFY IN FIELD.
- 9 1/4" CEMENT BD. INSTALLED ON COOLERS, REFER TO INTERIOR ELEVATIONS FOR WALL FINISH, TYP.
- 10 RECESSED MOP SINK WITH GRATE, TOP AT FINISH FLOOR. WALLS ON 3 SIDES OF MOP SINK SHALL BE CONC. UP TO 2'-0" A.F.F., REFER TO DETAIL 03/S1.05.
- 11 INSTALL MARLITE ABOVE MOP SINK UP TO 10'-0". EXTEND MARLITE TO OUTSIDE EDGE OF LONG WALL AND AROUND END OF WING WALL.
- 12 INSTALL MARLITE UP TO 10'-0". EXTEND MARLITE 8'-0" ALONG WALL AND AROUND END OF WING WALL.
- 13 INSTALL FLOOR STOP BEHIND DEEP FRYER AND GRIDDLE, FLOOR STOP SHALL BE A 2:2 ALUM. ANGLE 10'-0" LONG BOLTED TO THE FLOOR 12" FROM WALL.
- 14 8"x10" AIR GRILLE ABOVE DOOR, INSIDE AND OUTSIDE.
- 15 WALK-IN COOLER COMBO TO BE PROVIDED BY WALK-IN COOLER MANUFACTURER, WITH SEALED CONCRETE FLOOR BY G.C. TYP.
- 16 INSTALL 1/2" CD PLYWOOD ON ALL WALLS.
- 17 REMOVABLE CENTER GLASS AND ALUM. FRAMES THIS DOOR ONLY, REFER TO 01/A6.01.
- 18 SEE CIVIL DRAWINGS FOR BOLLARD LOCATION. SEE DETAIL 02/A5.02 FOR BOLLARD DETAIL.
- 19 BOLLARDS, ALIGN WITH L.P. CAGE, REFER TO 02/A5.02 FOR ALIGNMENT. BOLLARDS TO BE SET AWAY FROM SIDEWALK 1".
- 20 2" MIN. AIR SPACE REQUIRED BTWN. EXTERIOR WALL AND WALK-IN COOLER, TYP.
- 21 CONCRETE EQUIPMENT PAD.
- 22 EDGE OF RAISED 3-1/2" CONCRETE FLOOR SLAB
- 23 POWER SUPPLY
- 24 COLD WATER SUPPLY
- 25 OPEN DRAIN
- 26 CASE OPENING WITH TILE, USE SCHLUTER TILE EDGE
- 27 FOUNTAIN DRAIN FOR
- 28 2" SLEEVE 9'-0" A.F.F., 2'-0" OFF OF WALL.

NOTE SYMBOL

PROJECT NO: 20-4089
 DRAWN BY: HWC/
 DATE: 01/15/2021



KEYES ARCHITECTS & ASSOCIATES
 4717 PRESTON HIGHWAY
 LOUISVILLE, KENTUCKY 40213 (502) 636-5113

FIVESTAR STORE #4950
NEWCOMB OIL CO., LLC.
 38 DEAD READY LANE
 LEBANON KY 40033

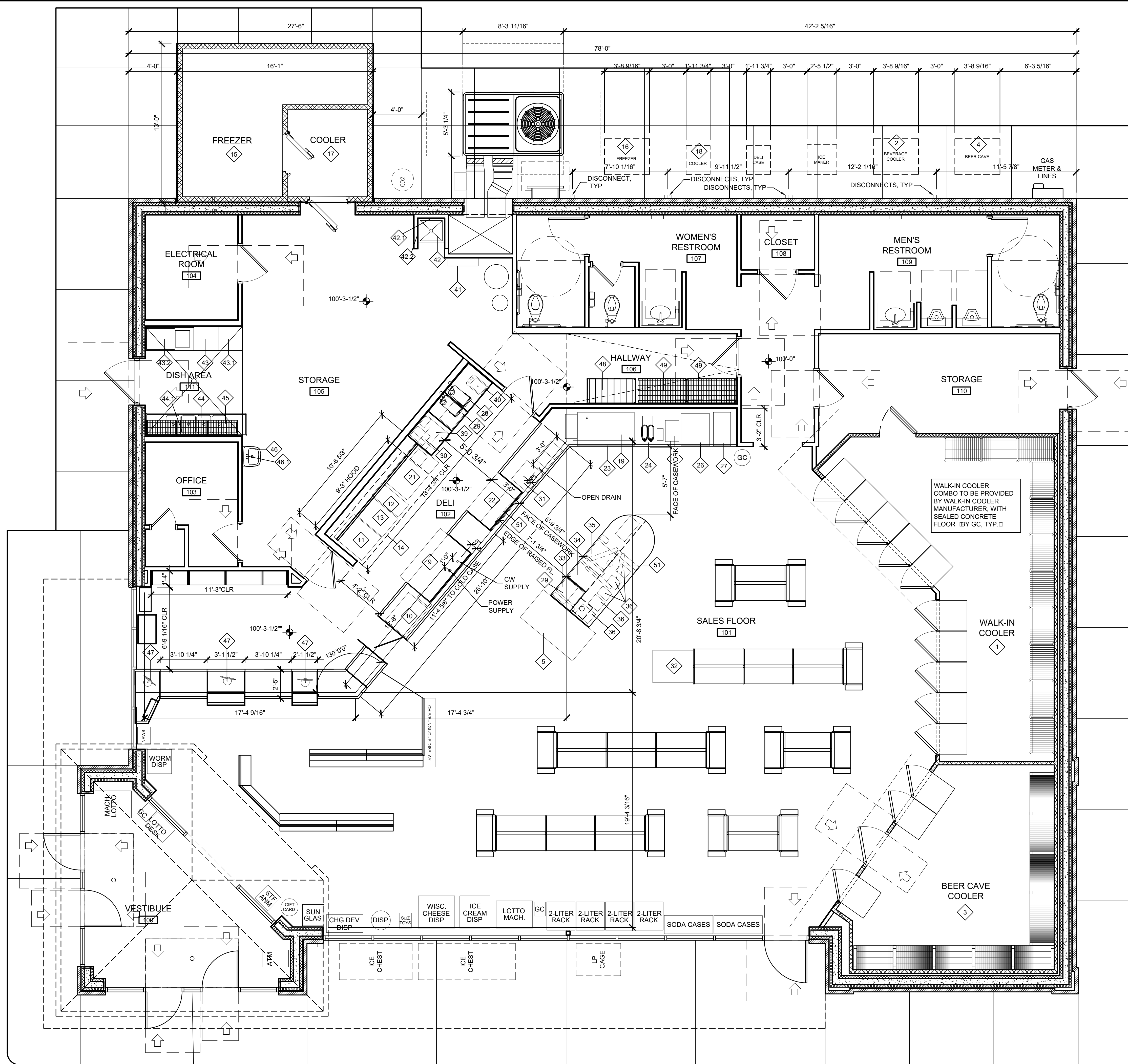
01 DIMENSION FLOOR PLAN
 SCALE: 1/4" = 1'-0"

SEE SHEET A1.01 FOR GENERAL NOTES

Keyes Architects and Associates expressly reserves its common law copyright and other property rights in these documents. These documents are considered proprietary information and shall not be upgraded, changed or copied in any form or manner without our prior written permission and consent of Keyes Architects and Associates, 3005 Tay or Boulevard, Louisville, Kentucky 40208

DIMENSION FLOOR PLAN
A1.02

EQUIPMENT SCHEDULE							
ITEM NO	QTY	EQUIPMENT CATEGORY	MANUFACTURER	MODEL NUMBER	OFOI	OFCI	CFCI
1	1	WALK-IN COOLER			●		
2	1	OUTDOOR CONDENSING UNIT			●		
3	1	BEER CAVE WALK-IN COOLER			●		
4	1	OUTDOOR CONDENSING UNIT			●		
5	1	MULTI-DECK ISLAND MERCHANDISER	HUSSMAN	IM-04-R	●		
6	1	OUTDOOR CONDENSING UNIT			●		
7	1	NOT USED					
8	1	NOT USED					
9	1	4 WELL HOT FOOD TABLE	DELFIELD		●		
10	1	HOT FOOD MERCHANDISER	HATCO	120V-1500 WATTS	●		
11	1	CONVECTION OVEN WITH HOLDING CABINET	MOFAT	TURBOFAN O3203 W/ PSM PROOFER HOLDER	●		
12	1	FLOOR MODEL GAS FRYER	PITCO	SOLSTICE 5014	●		
13	1	GRIDDLE	STAR	824T3A	●		
13.1	1	SS BASE CABINET W/ ROLLERS			●		
14	1	EXHAUST HOOD	CAPTIVE AIRE		●		
15	1	WALK-IN FREEZER			●		
16	1	OUTDOOR CONDENSING UNIT			●		
17	1	DELI WALK-IN			●		
18	1	OUTDOOR CONDENSING UNIT			●		
19	1	REMOTE ICE MAKER (INSTALLED ON FOUNTAIN)	SCOTSMAN	N1322R-32A	●		
20	3	OUTDOOR REMOTE CONDENSER			●		
21	1	WORKTOP SOLID DOOR FREEZER	TRUE	TWT 48F-HC	●		
22	2	FOOD PREP TABLE	TRUE	TSSU-48-12	●		
23	1	SODA FOUNTAIN			●		
24	1	TEA BREWER			●		
25	1	FREAL MIXER	FREAL	BLENDER	●		
26	1	FREAL FREEZER	FREAL	SINGLE DOOR FREEZER	●		
27	1	FREEZE MACHINE	TAYLOR CROWN		●		
28	1	COFFEE MAKER			●		
29	2	MICROWAVE			●		
30	1	INDUCTION RANGE			●		
31	1	BAKED GOODS			●		
32	1	DONUT CASE			●		
33	1	FRAPP MACHINE			●		
34	1	CHOC. CAPPU MACHINE			●		
35	1	CAPPUCCINO MACHINE			●		
36	1	THERMAL POTS			●		
37	1	CREAMER			●		
38	1	SUGAR			●		
39	1	PAN CABINET			●		
40	1	HAND SINK, INTERGAL WITH COUNTERTOP	PENFAIR	EV9457-10 HIGH FLOW CSR QUAD-MAC SYSTEM	●		
41	1	WATER FILTER			●		
42	1	MOP SINK, RECESSED			●		
42.1	1	FAUCET			●		
42.2	1	MOP HANGER			●		
43	1	DISHWASHER			●		
43.1	1	SIDE TABLE			●		
43.2	1	RINSE TABLE - INTREGAL SINK W/ DISPOSAL			●		
44	1	3-COMPARTMENT SINK	JOHN BOOS	38184-3218-16GA	●		
44.1	1	FAUCET - WALL MOUNTED WITH 12" SWING			●		
45	1	WALL MOUNT SHELVING (14" X 36")	EAGLE - METAL MASTERS	GWB1436VG	●		
46	1	HAND SINK - WALL HUNG	MANSFIELD GRAND ISLE	2018WBNS VITREOUS CHINA	●		
46.1	1	FAUCET	AMERICAN STANDARD	RELIANT 3 - 7385.004	●		
47	3	POS TERMINALS			●		
48	1	BAG-IN-BOX			●		
49	1	WIRE SHELVING (18" X 36") W/ ROLLERS	EAGLE - METAL MASTERS	1836VG	●		
50	1	WIRE SHELVING (24" X 36") W/ ROLLERS	EAGLE - METAL MASTERS	2436VG	●		
51	4	SUSPENDED TV MONITORS			●		
52	1						
53	1						



01 EQUIPMENT & CASEWORK PLAN
SCALE: 1/4" = 1'-0"



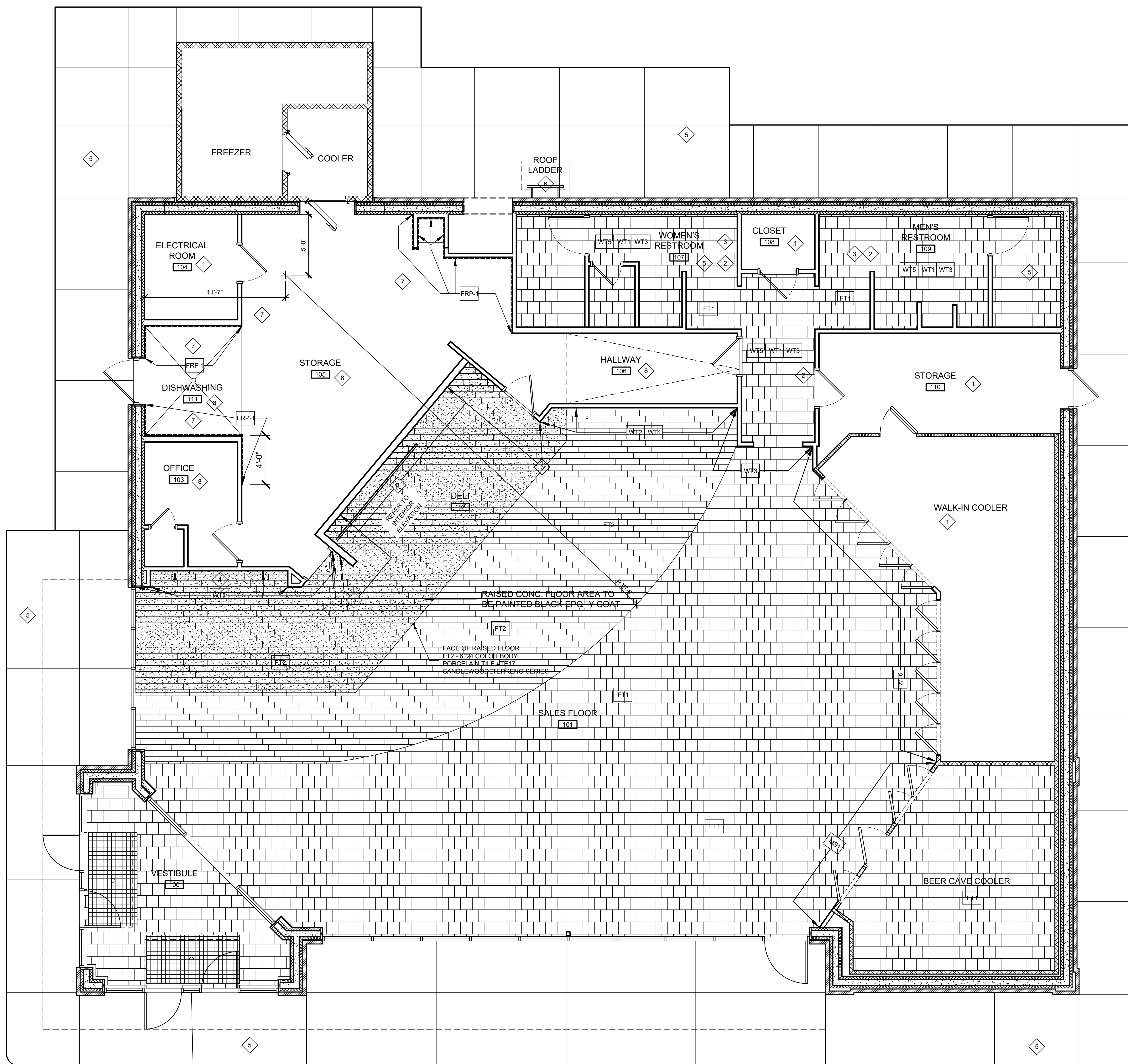
KEYES ARCHITECTS & ASSOCIATES
4717 PRESTON HIGHWAY
LOUISVILLE, KENTUCKY 40213 (502) 636-5113

FIVESTAR STORE #4850
NEWCOMB OIL CO., LLC.
38 DEAD READY LANE
LEBANON, KY 40033

Keyes Architects and Associates expressly reserves its common law copyright and other property rights in these documents. These documents are considered proprietary information and shall not be upgraded, changed or copied in any form or matter without our prior written permission and consent of Keyes Architects and Associates, 3005 Tay or Boulevard, Louisville, Kentucky 40208

EQUIPMENT & CASEWORK PLAN

A1.03



FLOOR FINISH SCHEDULE

T-CODES □ TILES USED ON FLOORS. WALL TILES MAY BE FOUND ON INTERIOR ELEVATIONS

MAIN TILE FIELD A -	
	FT1 - 12" x 12" PORCELAIN STONE TILE / #VL78 - ACCENT BROWN WITH 3/16" GROUT LINES - BRICKWORK PATTERN WITH #145 LIGHT SMOKE SANDED GROUT.
MAIN TILE FIELD B -	
	FT2 - 6" x 24" COLORBODY PORCELAIN TILE / #HH03 TEAK WITH 3/16" GROUT LINES - WITH #59 SADDLE BROWN SANDED GROUT.

NOTE:
 1. TILE TO RUN CONTINUOUS UNDER CABINETS.
 2. "GROUT BOOST" TO BE USED TO MIX GROUT INSTEAD OF WATER.

SHEET NOTES:

- APPLY "MASTERKURE HD 200WB", ON FLOORS WHERE NOTED.
- THROUGHOUT RESTROOM AREA, REFER TO INTERIOR ELEVATIONS FOR MORE INFORMATION.
- REFER TO INTERIOR ELEVATIONS
- NO TILE BEHIND SHELVING.
- APPLY "MASTERKURE HD 200WB" TO ALL EXTERIOR SIDEWALKS, EQUIPMENT PADS AND DUMPSTER PADS.
- PAINT ROOF LADDER.
- PAINT WALL PER INTERIOR FINISH SCHEDULE - SEE A3.04 FOR MORE INFORMATION
- EPOXY COATED FLOORS, WHERE NOTED.

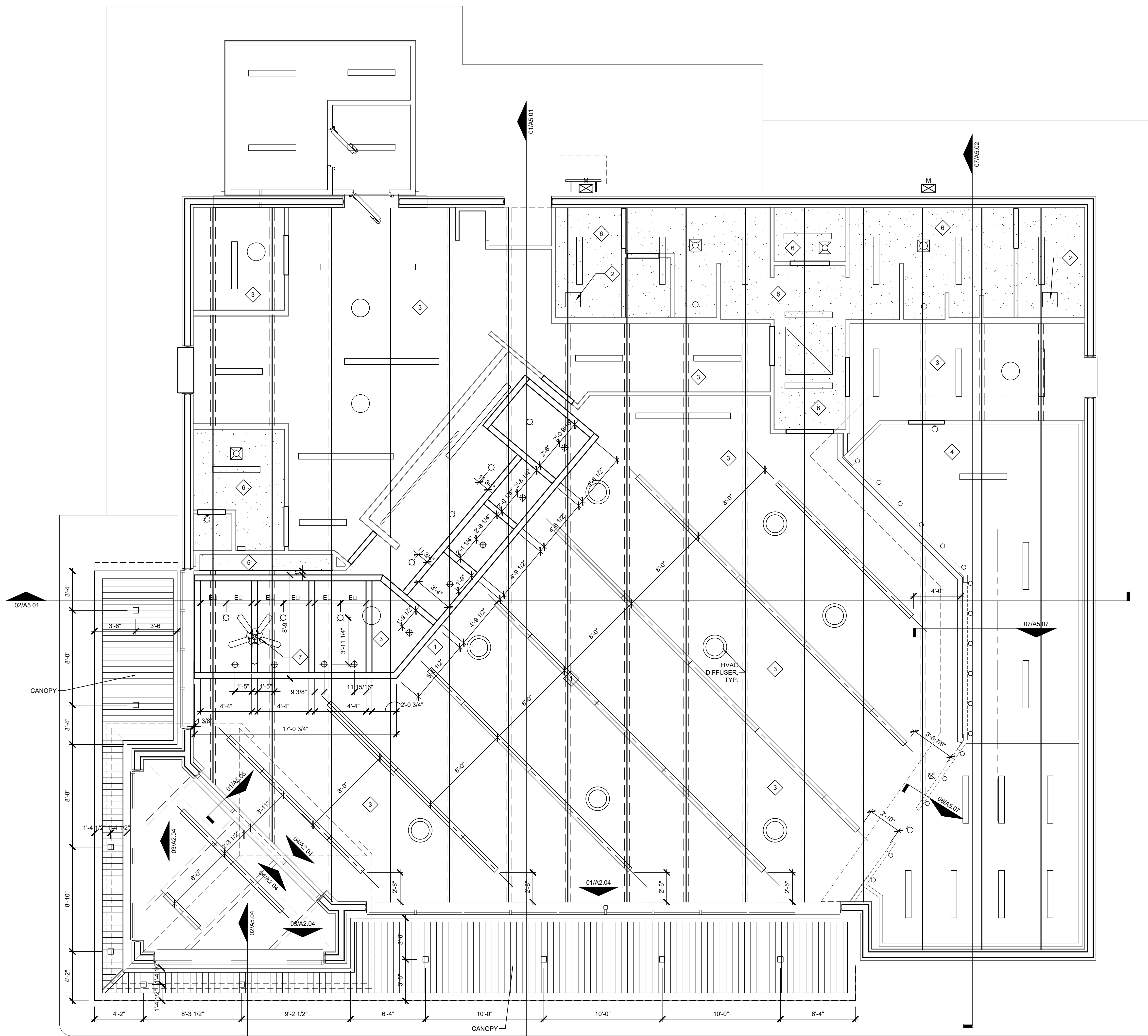
PROJECT NO:
20-4089
 DRAWN BY:
HWC/
 DATE:
01/15/2021



KEYES ARCHITECTS & ASSOCIATES
 4717 PRESTON HIGHWAY
 LOUISVILLE, KENTUCKY 40213 (502) 636-5113

FIVESTAR STORE #4950
NEWCOMB OIL CO., LLC.
 38 DEAD READY LANE
 LEBANON KY 40033

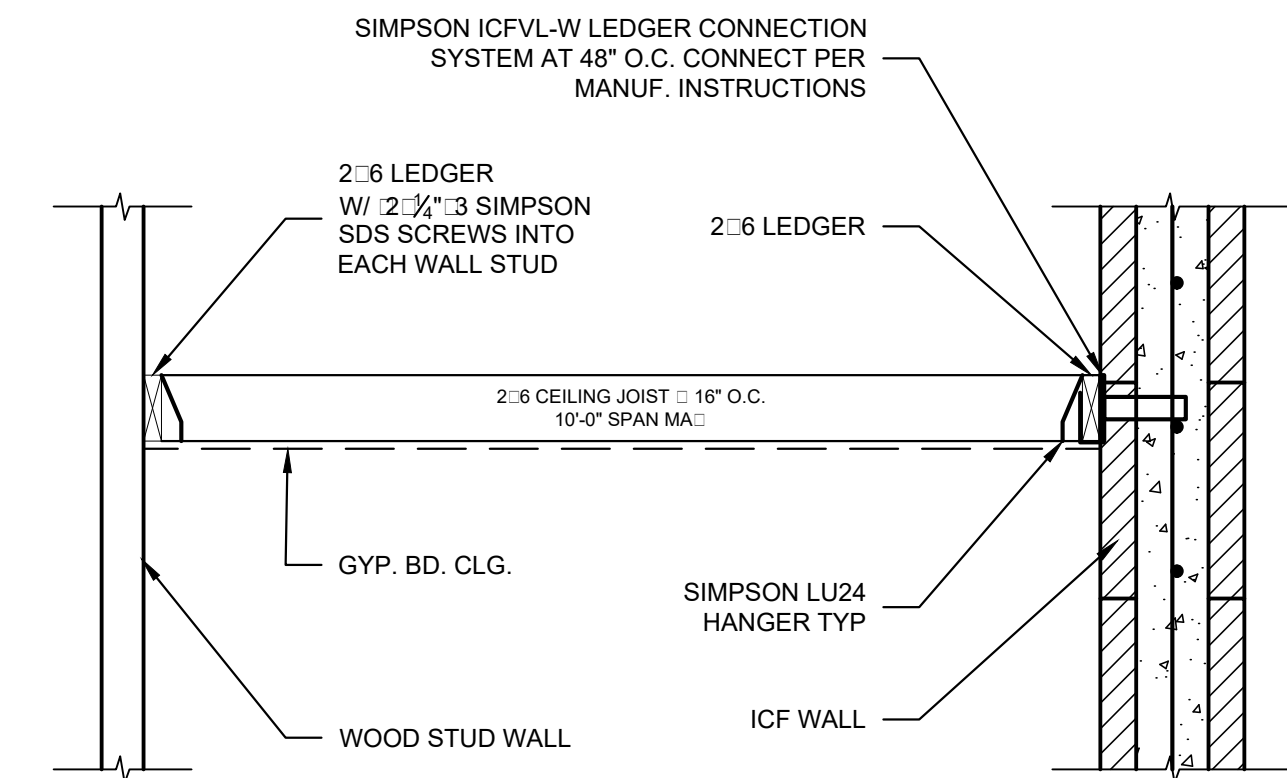
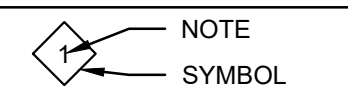
01 FINISH FLOOR PLAN
 SCALE: 1/4" = 1'-0"



01 REFLECTED CEILING PLAN
SCALE: 1/4" = 1'-0"

SHEET NOTES:

- 1 CEDAR WOOD BEAMS: BEAMS SHALL BE SEALED WITH CLEAR SEALER. TOPS OF CEDAR BEAMS SHALL BE SANDED BEFORE INSTALLATION. SUSPENSION RODS SHALL BE PAINTED TO MATCH THE CEILING. STEEL CONNECTOR PLATES SHALL BE PAINTED BLACK. REFER TO STRUCTURAL DRAWINGS FOR STEEL CONNECTOR PLATES.
- 2 24"x24" HIGH PLYWOOD DOOR WITH HINGES, HANDLE AND SLIDE BOLT TO ACCESS THE AREA ABOVE THE RESTROOM. TRIM WITH 1" TRIM, PAINT ALL.
- 3 OPEN TO STRUCTURE.
- 4 OPEN TO STRUCTURE ABOVE COOLERS.
- 5 GYP. BD. CEILING @ 10'-0" A.F.F.
- 6 GYP. BD. CEILING @ 9'-6" A.F.F.
- 7 CEILING FAN IN CASHIER AREA
- 8 CEILING AT 10'-0" TO MATCH THE METAL DECK ABOVE.



02 GYP. BD. CLNG. FRAMING
SCALE: 3/4" = 1'-0"

PROJECT NO:
20-4089
DRAWN BY:
HWC/
DATE:
01/15/2021



KEYES ARCHITECTS & ASSOCIATES
4717 PRESTON HIGHWAY
LOUISVILLE, KENTUCKY 40213 (502) 636-5113

FIVESTAR STORE #4950
NEWCOMB OIL CO., LLC.
38 DEAD READY LANE
LEBANON KY 40033

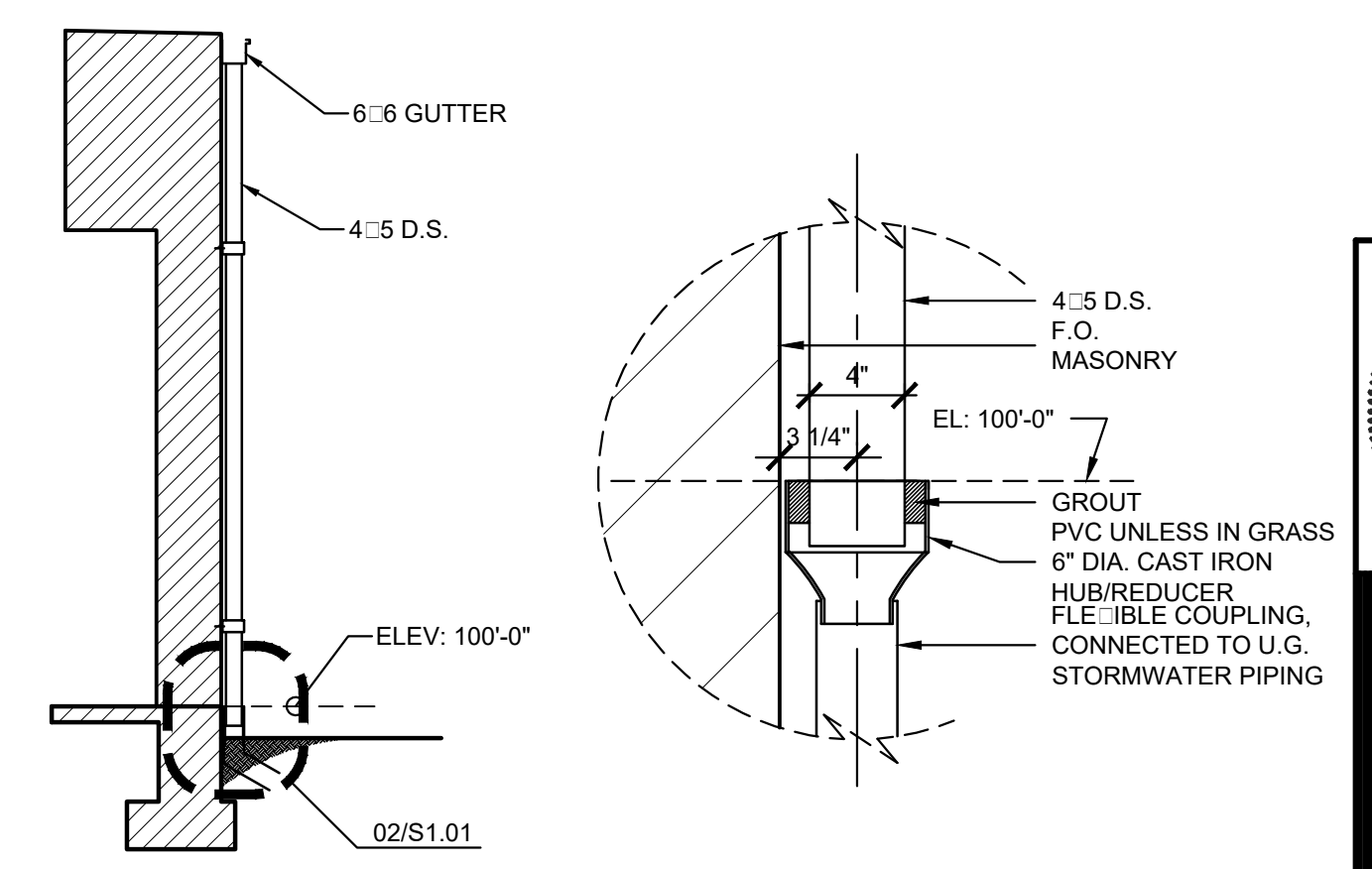
Keyes Architects and Associates expressly reserves its common law copyright and other property rights in these documents. These documents are considered proprietary information and shall not be upgraded, changed or copied in any form or manner without the express written permission and consent of Keyes Architects and Associates, 3005 Tay or Boulevard, Louisville, Kentucky 40208

REFLECTED CEILING PLAN

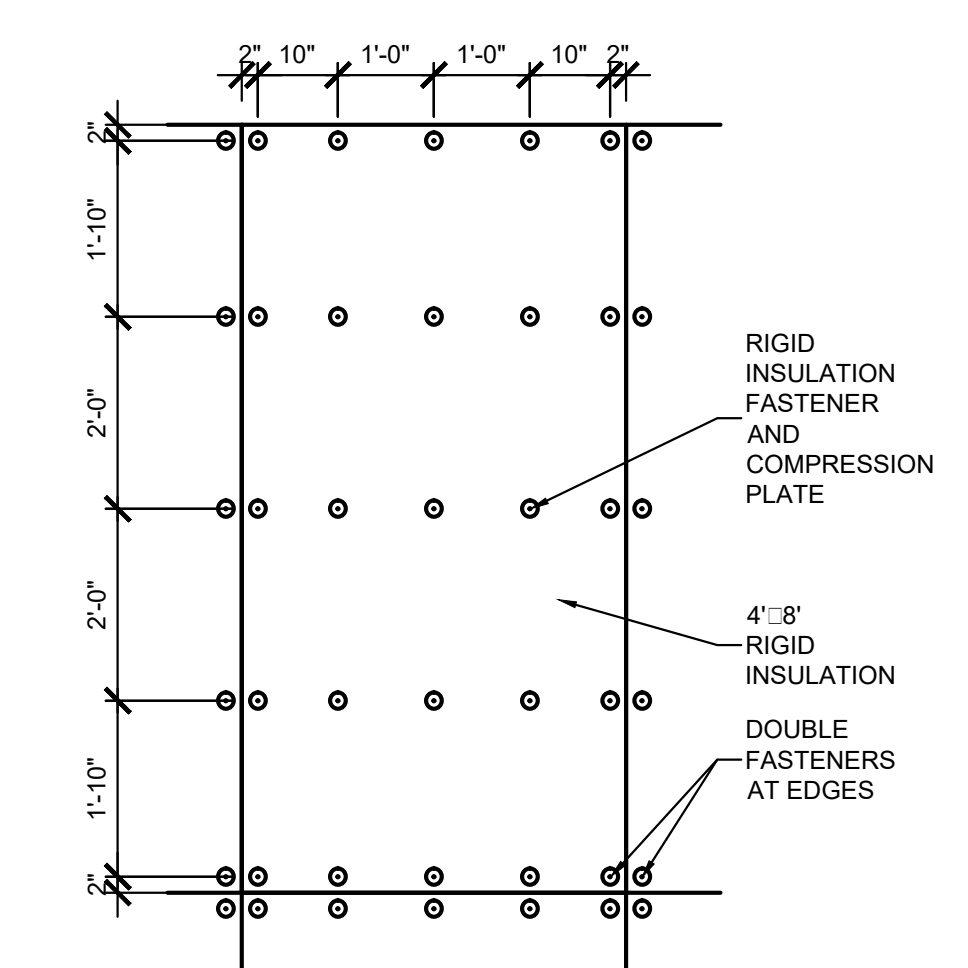
A1.05

ROOF NOTES:

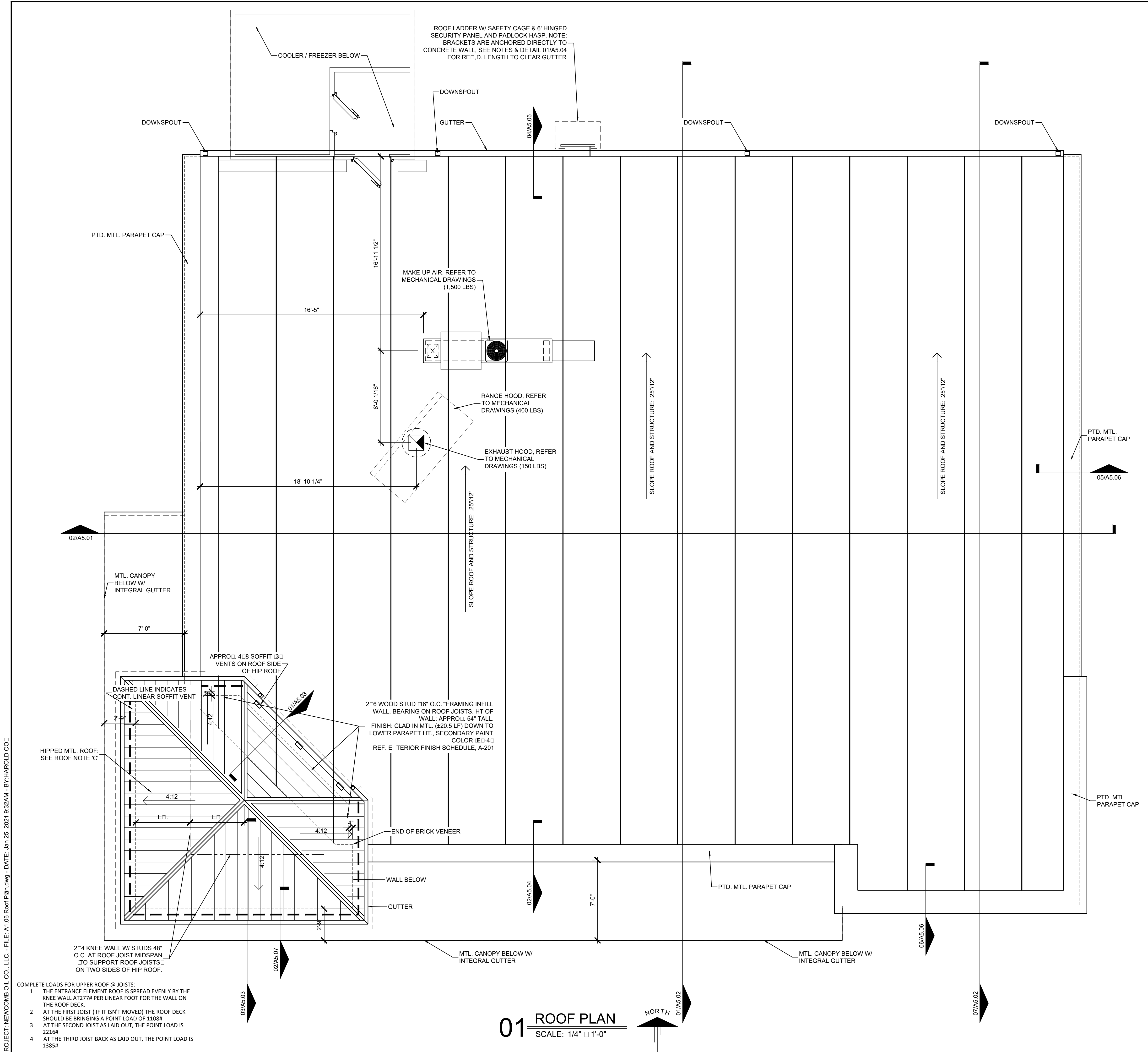
- A. ROOF MEMBRANE: SINGLE PLY PVC 60 MIL. MEMBRANE, COLOR: WHITE, FULLY ADHERED. BASIS OF DESIGN: DURO-LAST WITH SUPREME 15-YEAR NDL WARRANTY OR APPROVED EQUAL.
- B. ROOF DESIGN MIN. R-VALUE: R-30. PROVIDE ROOF INSULATION TO MEET MIN. DESIGN R-VALUE.
- C. METAL ROOF: 1.5" MINI BATTEN BY METAL SALES' STANDING SEAM ROOF. 24GA. KYNAR FINISH (COLOR: #PATRIOT RED, CONFIRM FINAL COLOR WITH OWNER. OVER 30# FELT #0 MIL MIN. THICKNESS SELF-ADHERING MEMBRANE MAY BE USED IN PLACE OF FELT OVER ROOF SHEATHING. PROVIDE LINEAR SOFFIT VENTS ON NON ROOF SIDES. ON ROOF SIDE, PROVIDE 2" RECT. ALUM. SOFFIT VENTS, PTD. TO MATCH ADJACENT METAL COLOR.
- D. GUTTERS AND DOWNSPOUTS: SEE ELEVATIONS AND DETAILS FOR ADDITIONAL INFORMATION. ALL DOWNSPOUTS TO BE ROUTED BELOW GRADE. REFER TO CIVIL FOR ADDITIONAL INFORMATION.
- E. ROOF LADDER: CONFIRM ACCESS LADDER TO BE USED WITH OWNER.
- F. REFER TO MEP DRAWINGS FOR ADDITIONAL NOTES FOR MEP ROOF WORK.
- G. USE GUTTER SEALANT "GEOCELL 2315LRF". WWW.GEOCELLUSA.COM. INSTALL PER MANUFACTURER'S RECOMMENDATIONS. ALL JOINTS, BULGES, CRACKS AND SEAMS SHALL TO BE LESS THAN 1/4". REINFORCING MESH NOT REQUIRED.
- H. GUTTERS SEGMENTS MUST LAP A MINIMUM OF 3".
- I. GUTTERS SHALL BE TESTED FOR LEAKS BY DAMNING ALL DOWNSPOUTS AND FILLING GUTTERS WITH 2" APPROX. OF WATER.



02 DOWNSPOUT DETAIL
SCALE: 1-1/2" = 1'-0"



03 FASTNER PATTERN
SCALE: 1-1/2" = 1'-0"



01 ROOF PLAN
SCALE: 1/4" = 1'-0"



- COMPLETE LOADS FOR UPPER ROOF @ JOISTS:
- 1 THE ENTRANCE ELEMENT ROOF IS SPREAD EVENLY BY THE KNEE WALL AT 277# PER LINEAR FOOT FOR THE WALL ON THE ROOF DECK.
 - 2 AT THE FIRST JOIST (IF IT ISN'T MOVED) THE ROOF DECK SHOULD BE BRINGING A POINT LOAD OF 1108#
 - 3 AT THE SECOND JOIST AS LAID OUT, THE POINT LOAD IS 2216#
 - 4 AT THE THIRD JOIST BACK AS LAID OUT, THE POINT LOAD IS 1385#

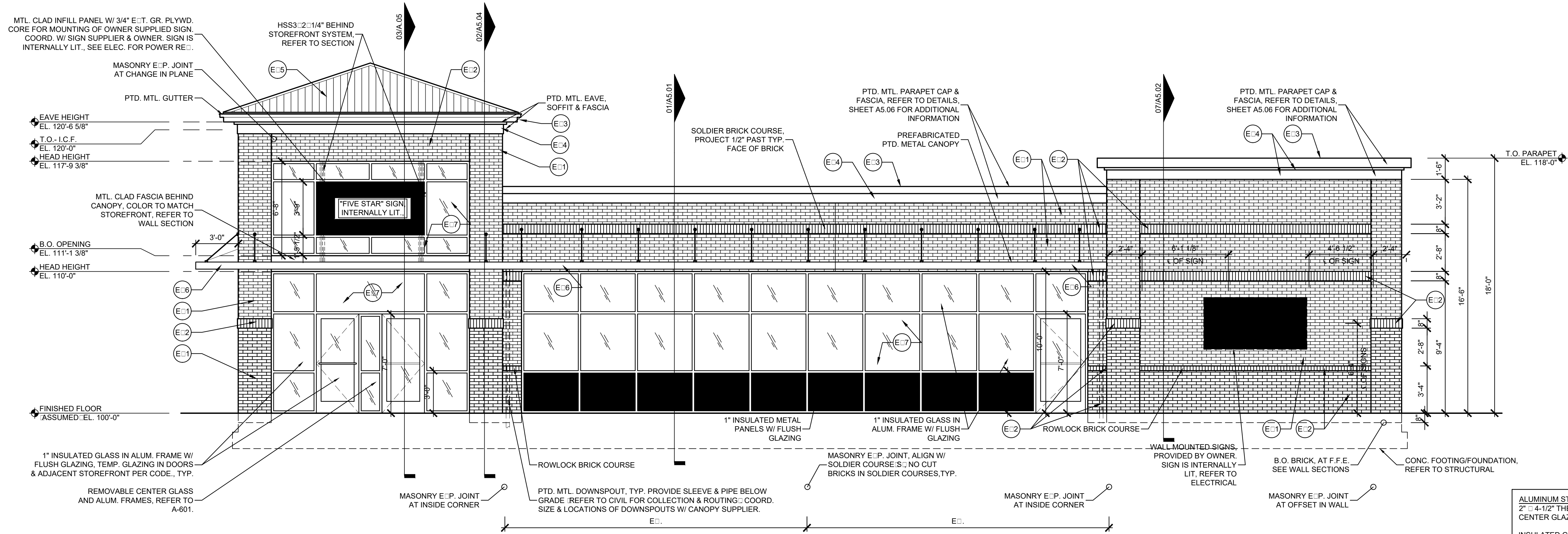


KEYES ARCHITECTS & ASSOCIATES
 4717 PRESTON HIGHWAY
 LOUISVILLE, KENTUCKY 40213 (502) 636-5113

NEWCOMB OIL CO., LLC.
 FIVESTAR STORE #4950
 38 DEAD READY LANE
 LEBANON KY 40033

Keyes Architects and Associates expressly reserves its common law copyright and other property rights in these documents. These documents are considered proprietary information and shall not be upgraded, changed or copied in any form or matter without our express written permission and consent of Keyes Architects and Associates, 3005 Tay or Boulevard, Louisville, Kentucky 40208

PROJECT: NEWCOMB OIL CO., LLC. - FILE: A1.06 Roof Plan.dwg - DATE: Jan 25, 2021 9:32AM - BY: HAROLD CO.

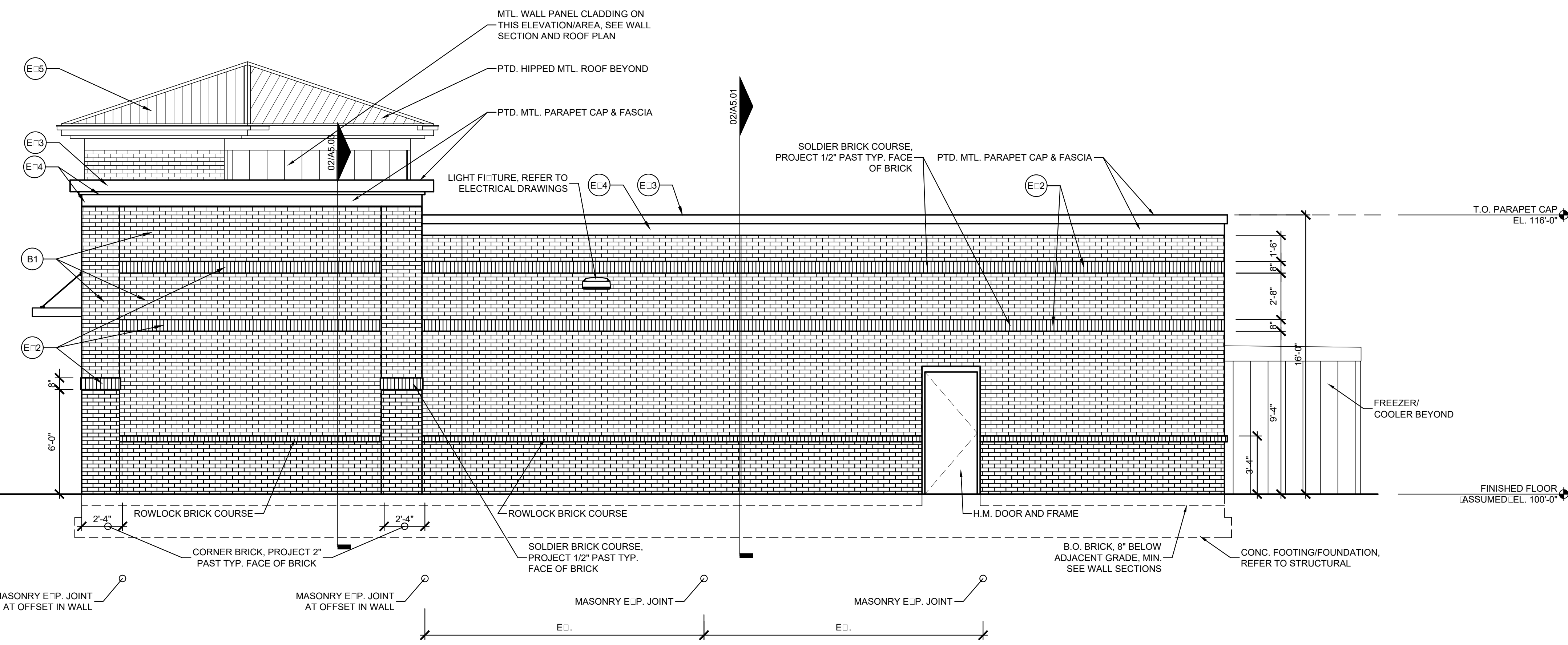


02 ELEVATION
SCALE: 1/4" = 1'-0"

ALUMINUM STOREFRONT: AS MANUFACTURED BY TRULITE
2" x 4-1/2" THERMALLY BROKEN, DARK BRONZE ANODIZED,
CENTER GLAZED

INSULATED GLASS:
1" INSULATED, SOLAR BRONZE, HEAT STRENGTHENED
OVER "GUARDIAN SUNGUARD SN-68", FULLY TEMPERED
BOTH LIGHTS AS REQUIRED BY CODE.

INSULATED PANELS:
1" INSULATED, DARK BRONZE, "CITADEL GLAZE GUARD 1000
WR", PRE-FINISHED TEXTURED ALUMINUM SKINS .010"
HIGH DENSITY POLYPROPYLENE STABILIZERS, EXPANDED
POLYSTYRENE FOAM EPS CORE 5/8"



01 ELEVATION
SCALE: 1/4" = 1'-0"

EXTERIOR FINISH SCHEDULE

CODE	DESCRIPTION	COLOR/TYPE	MANUFACTURER NOTES
E-01	EXTERIOR BRICK	COLOR:"CHARLESTON WELLINGTON"	SIQUITY CITY
		TYPE: MODULAR BRICK	
E-02	EXTERIOR BRICK	COLOR:"WHITE PLAINS"	SIQUITY CITY
		TYPE: MODULAR BRICK	
E-03	METAL PARAPET CAP (RED)	COLOR:#PATRIOT RED (METALLIC)	METAL SALES
		TYPE: 24GA. KYNAR FINISH	
E-04	METAL FASCIA (GREY)	COLOR:#MYSTIC PLUS	METAL SALES
		TYPE: 24GA. KYNAR FINISH	
E-05	METAL ROOF (RED)	COLOR:#PATRIOT RED (METALLIC)	METAL SALES
	'TEE PANEL' STANDING SEAM ROOF	TYPE: 24GA. KYNAR FINISH	
E-06	METAL CANOPY (RED)	COLOR:#PATRIOT RED METALLIC	TENNESSEE VALLEY METALS
	'DECKING&D.S., GREY	COLOR:#MYSTIC PLUS	GALVANIZED
E-07	ALUMINUM STOREFRONT	SEE NOTES BELOW	
	GLAZING	SEE NOTES BELOW	
	INSULATED MTL PANEL	SEE NOTES BELOW	

EXTERIOR ELEVATIONS GENERAL NOTES

1. PROVIDE MATERIAL COLOR & FINISH SAMPLES FOR APPROVAL BY OWNER.
2. PROVIDE LOW WEEP VENTS IN VENER MASONRY, 24" O.C. MAX. USE 3/8" HONEYCOMB VENT.
3. MASONRY EXPANSION JOINTS: PROVIDE SANDED SEALANT (MATCH MORTAR) W/ COMPRESSIBLE BACKER. SEALANT TO COMPLY W/ ASTM C290, CLASS 50 SPECIFICATIONS.
4. SIGNAGE: COORDINATE SIGN SIZE, POWER REQUIREMENTS, AND LAYOUT WITH SUPPLIER PRIOR TO INSTALLATION OF STOREFRONT.
5. CANOPY: REFER TO STRUCTURAL FOR REQUIRED LOADING. CANOPY & DOWNSPOUTS SHOWN FOR REFERENCE. FINAL DESIGN & DETAILING BY CANOPY SUPPLIER. SUBMIT TO OWNER FOR APPROVAL.
6. ALL DOWNSPOUTS TO BE SLEEVED AND ROUTED BELOW GRADE. COORDINATE WITH CIVIL FOR COLLECTION AND MANAGEMENT OF WATER ON SITE.
7. GUTTERS SHALL BE TESTED FOR LEAKS BY DAMMING ALL DOWNSPOUTS AND FILLING GUTTERS WITH 2" APPROX. OF WATER.
8. REFER TO FINISH SCHEDULE FOR HM DOOR AND FRAME PAINT COLORS.

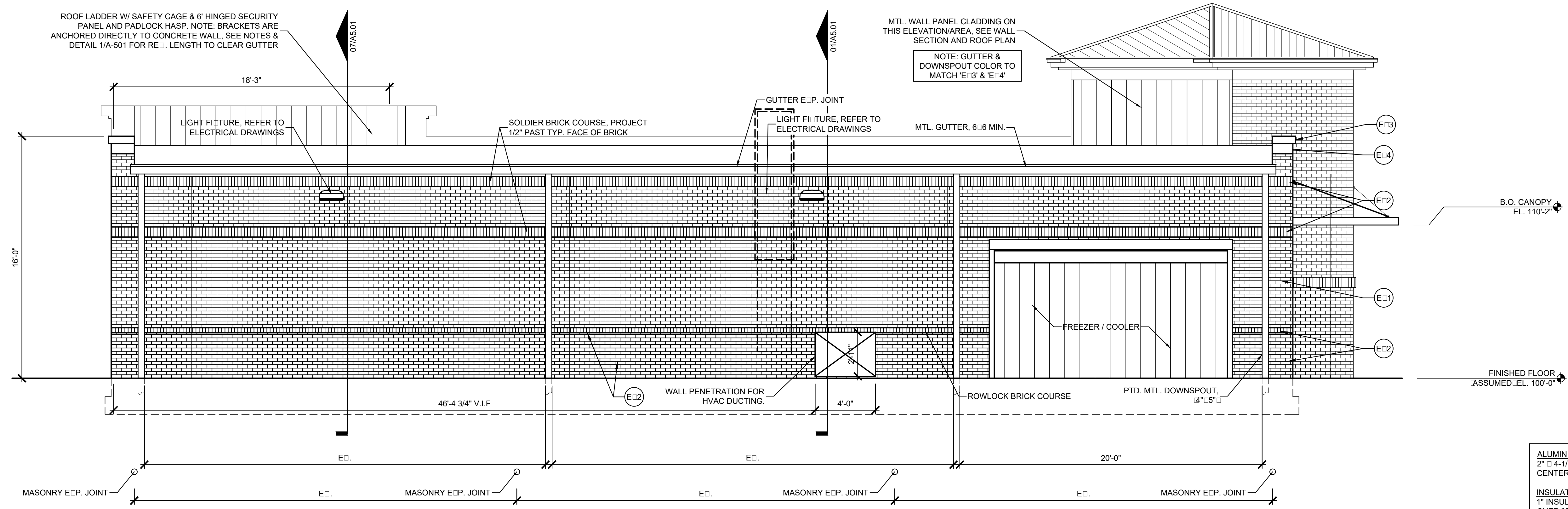


KEYES ARCHITECTS & ASSOCIATES
4717 PRESTON HIGHWAY
LOUISVILLE, KENTUCKY 40213 (502) 636-5113

NEWCOMB OIL CO., LLC.
38 DEAD READY LANE
LEBANON, KY 40033

PROJECT: NEWCOMB OIL CO., LLC. - FILE: A2.01 Exterior Elevations.dwg - DATE: Jan 25, 2021 9:32AM - BY: HAROLD CO.

Keyes Architects and Associates expressly reserves its common law copyright and other property rights in these documents. These documents are considered proprietary information and shall not be upgraded, changed or copied in any form or manner without the express written permission and consent of Keyes Architects and Associates, 3005 Tay or Boulevard, Louisville, Kentucky 40208



02 ELEVATION
SCALE: 1/4" = 1'-0"

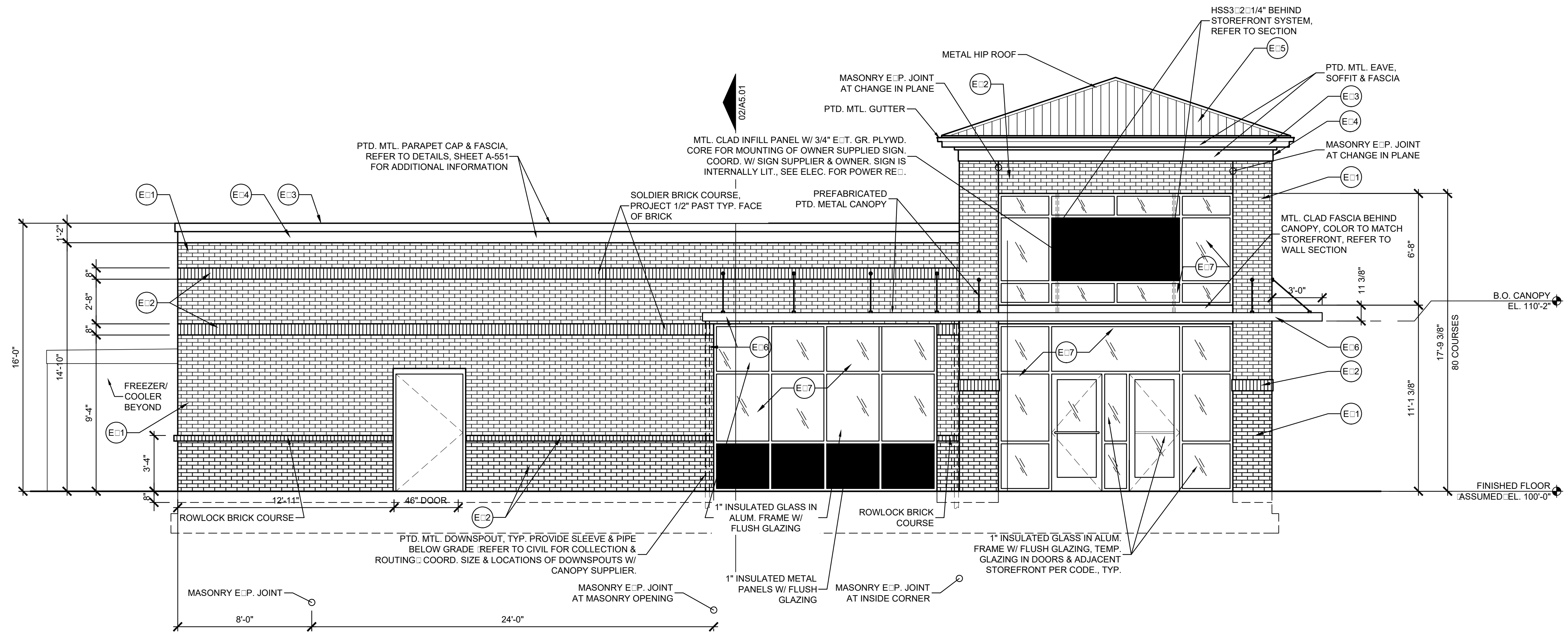
ALUMINUM STOREFRONT: AS MANUFACTURED BY TRULITE
2" x 4-1/2" THERMALLY BROKEN, DARK BRONZE ANODIZED,
CENTER GLAZED

INSULATED GLASS:
1" INSULATED, SOLAR BRONZE, HEAT STRENGTHENED
OVER "GUARDIAN SUNGUARD SN-68", FULLY TEMPERED
BOTH LIGHTS AS REQUIRED BY CODE.

INSULATED PANELS:
1" INSULATED, DARK BRONZE, "CITADEL GLAZEGUARD 1000
WR", PRE-FINISHED TEXTURED ALUMINUM SKINS .010"
HIGH DENSITY POLYPROPYLENE STABILIZERS, EXPANDED
POLYSTYRENE FOAM EPS CORE 5/8"

EXTERIOR FINISH SCHEDULE			
CODE	DESCRIPTION	COLOR/TYPE	MANUFACTURER NOTES
E-1	EXTERIOR BRICK	COLOR: "CHARLESTON WELLINGTON" TYPE: MODULAR BRICK	SIoux CITY
E-2	EXTERIOR BRICK	COLOR: "WHITE PLAINS" TYPE: MODULAR BRICK	SIoux CITY
E-3	METAL PARAPET CAP (RED)	COLOR: #PATRIOT RED (METALLIC) TYPE: 24GA. KYNAR FINISH	METAL SALES
E-4	METAL FASCIA (GREY)	COLOR: #MYSTIC PLUS TYPE: 24GA. KYNAR FINISH	METAL SALES
E-5	METAL ROOF (RED)	COLOR: #PATRIOT RED (METALLIC)	METAL SALES
E-6	METAL CANOPY (RED)	COLOR: #PATRIOT RED METALLIC (DECKING&D.S., GREY)	TENNESSEE VALLEY METALS
E-7	ALUMINUM STOREFRONT	SEE NOTES BELOW	GALVANIZED
	GLAZING	SEE NOTES BELOW	
	INSULATED MTL. PANEL	SEE NOTES BELOW	

- EXTERIOR ELEVATIONS GENERAL NOTES**
1. PROVIDE MATERIAL COLOR & FINISH SAMPLES FOR APPROVAL (BY OWNER)
 2. PROVIDE LOW WEEP VENTS IN VENEER MASONRY, 24" O.C. MAX. USE 3/8" HONEYCOMB VENT
 3. MASONRY EXPANSION JOINTS: PROVIDE SANDED SEALANT (MATCH MORTAR) W/ COMPRESSIBLE BACKER. SEALANT TO COMPLY W/ ASTM C290, CLASS 50 SPECIFICATIONS.
 4. SIGNAGE: COORDINATE SIGN SIZE, POWER REQUIREMENTS, AND LAYOUT WITH SUPPLIER PRIOR TO INSTALLATION OF STOREFRONT.
 5. CANOPY: REFER TO STRUCTURAL FOR REQUIRED LOADING. CANOPY & DOWNSPOUTS SHOWN FOR REFERENCE. FINAL DESIGN & DETAILING BY CANOPY SUPPLIER. SUBMIT TO OWNER FOR APPROVAL.
 6. ALL DOWNSPOUTS TO BE SLEEVED AND ROUTED BELOW GRADE. COORDINATE WITH CIVIL FOR COLLECTION AND MANAGEMENT OF WATER ON SITE.
 7. GUTTERS SHALL BE TESTED FOR LEAKS BY DRAINING ALL DOWNSPOUTS AND FILING GUTTERS WITH 2" (APPROX.) OF WATER.
 8. REFER TO FINISH SCHEDULE FOR HW DOOR AND FRAME PAINT COLORS.



01 ELEVATION
SCALE: 1/4" = 1'-0"

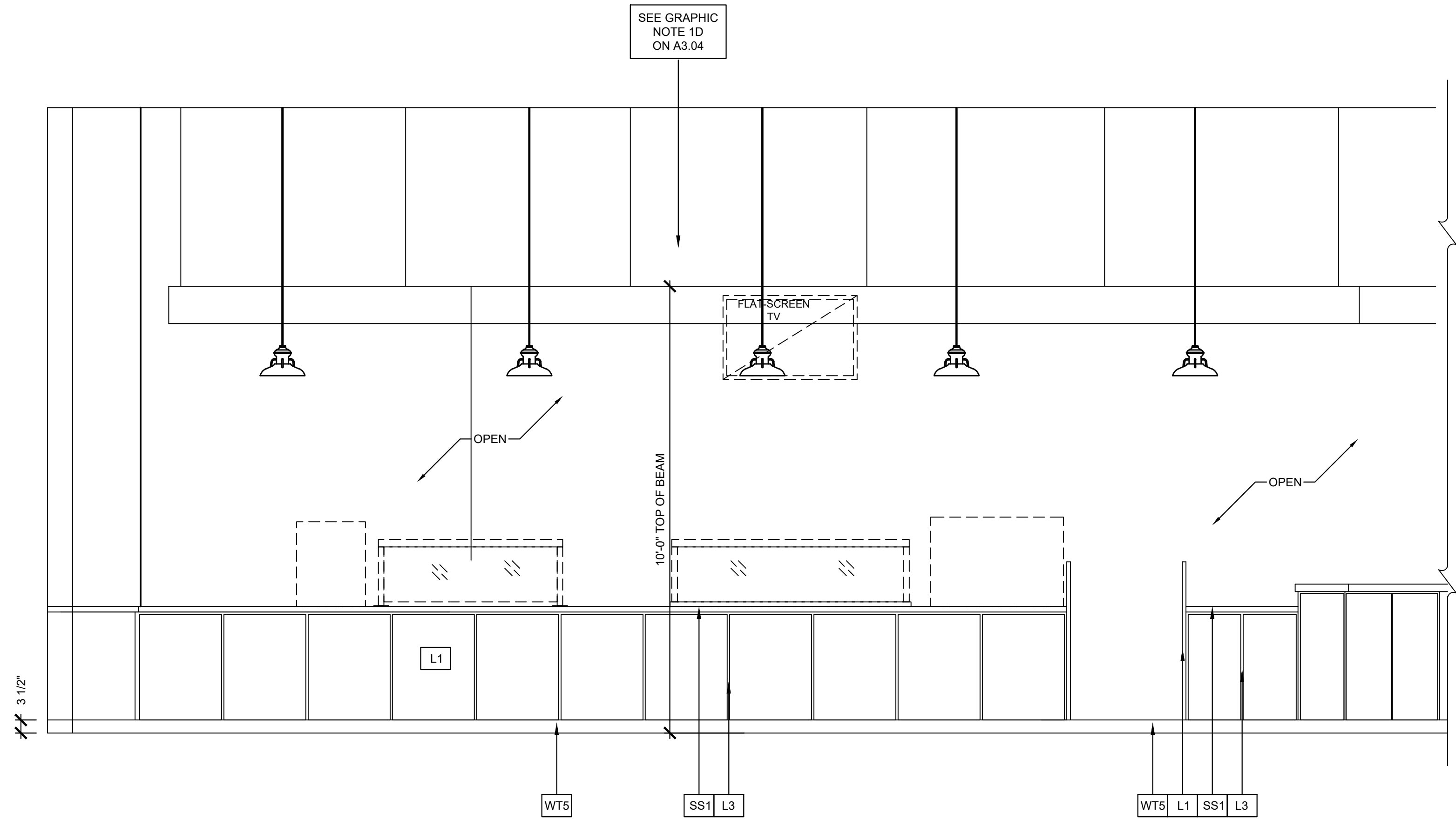


KEYES ARCHITECTS & ASSOCIATES
4717 PRESTON HIGHWAY
LOUISVILLE, KENTUCKY 40213 (502) 636-5113

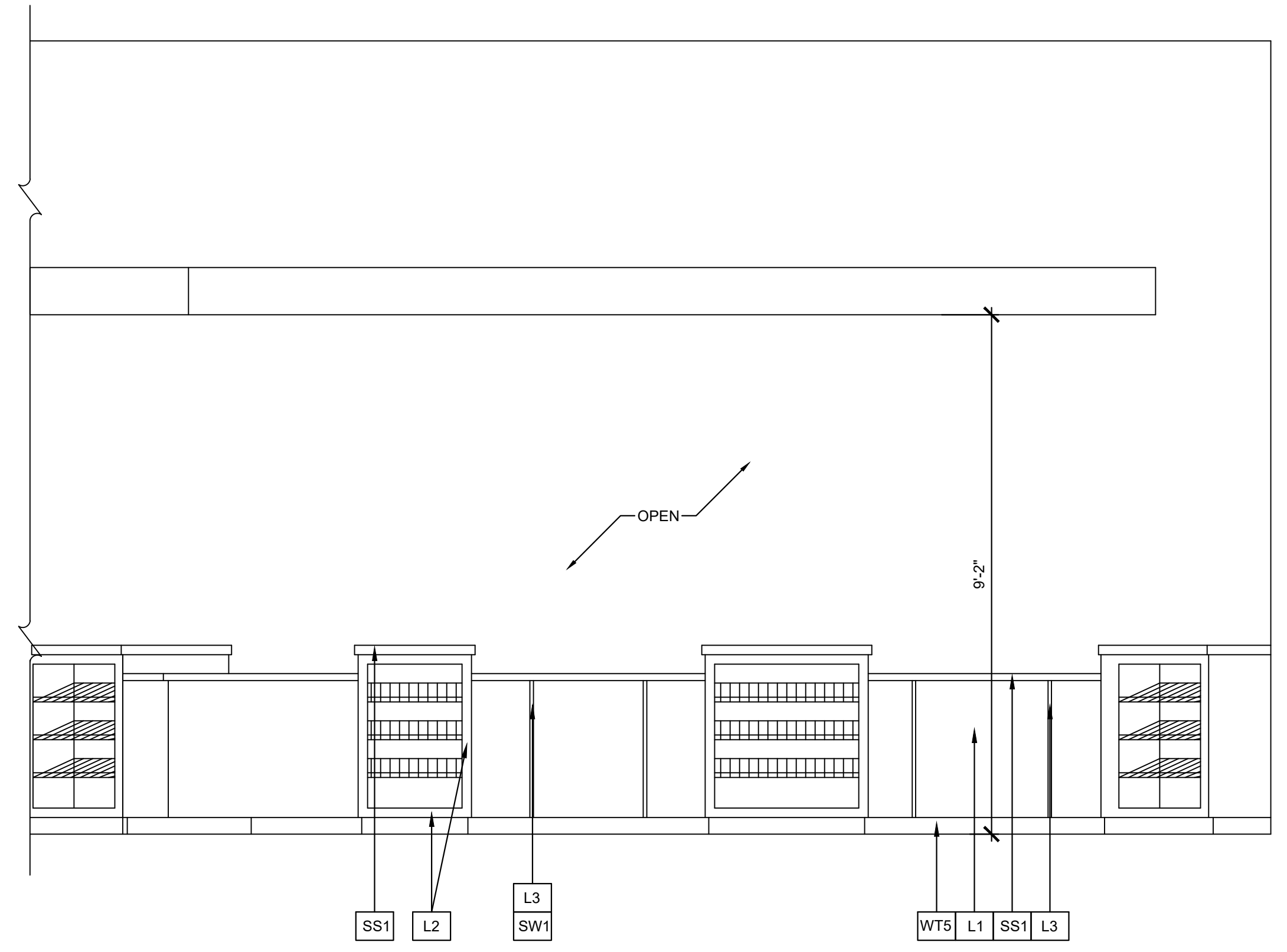
NEWCOMB OIL CO., LLC.
38 DEAD READY LANE
LEBANON KY 40033

PROJECT: NEWCOMB OIL CO., LLC. - FILE: A2.02 Exterior Elevations.dwg - DATE: Jan 25, 2021 9:32AM - BY: HAROLD CO.

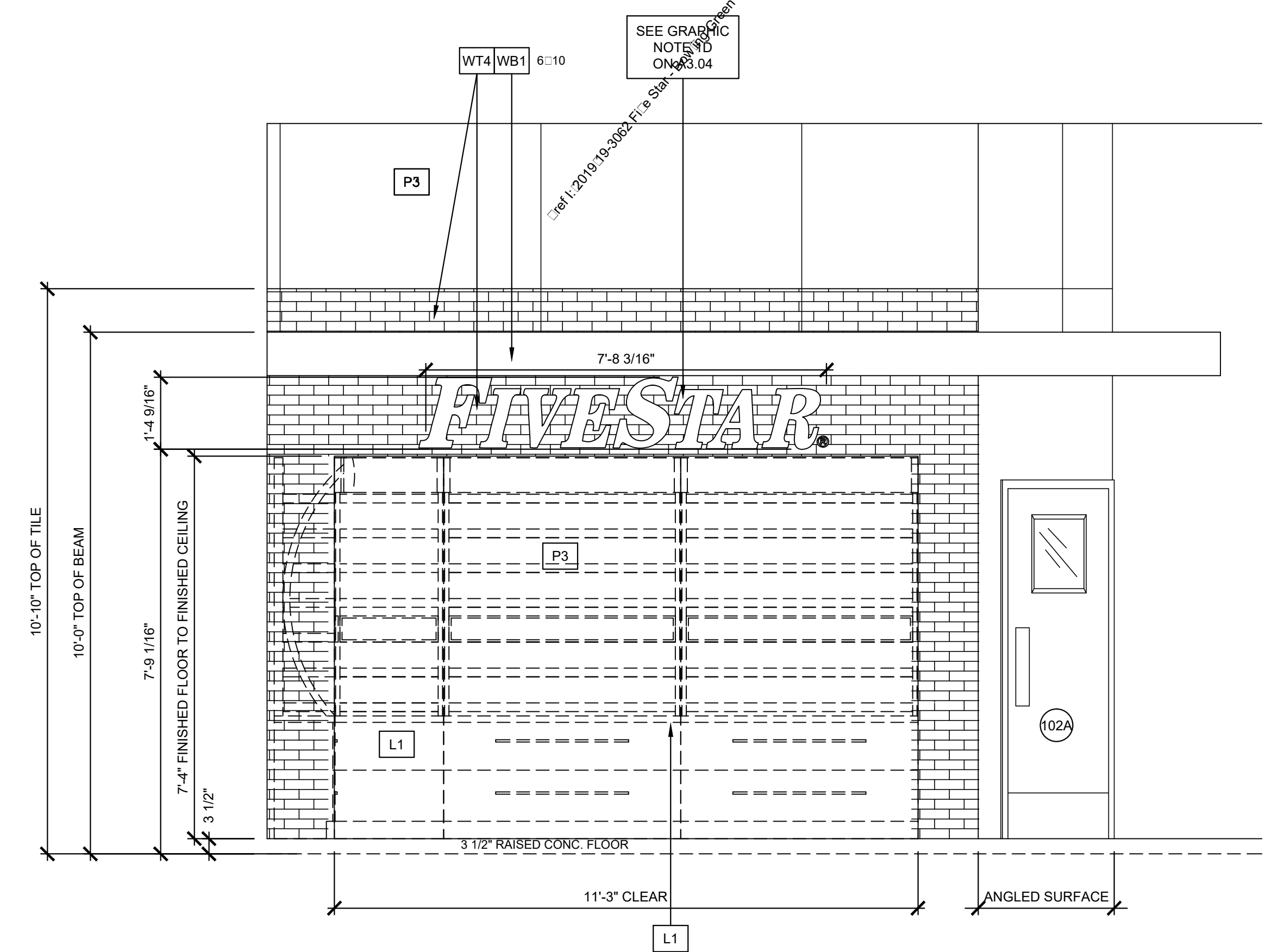
Keyes Architects and Associates expressly reserves its common law copyright and other property rights in these documents. These documents are considered proprietary information and shall not be upgraded, changed or copied in any form or matter without our prior written permission and consent of Keyes Architects and Associates, 3005 Tay or Boulevard, Louisville, Kentucky 40208



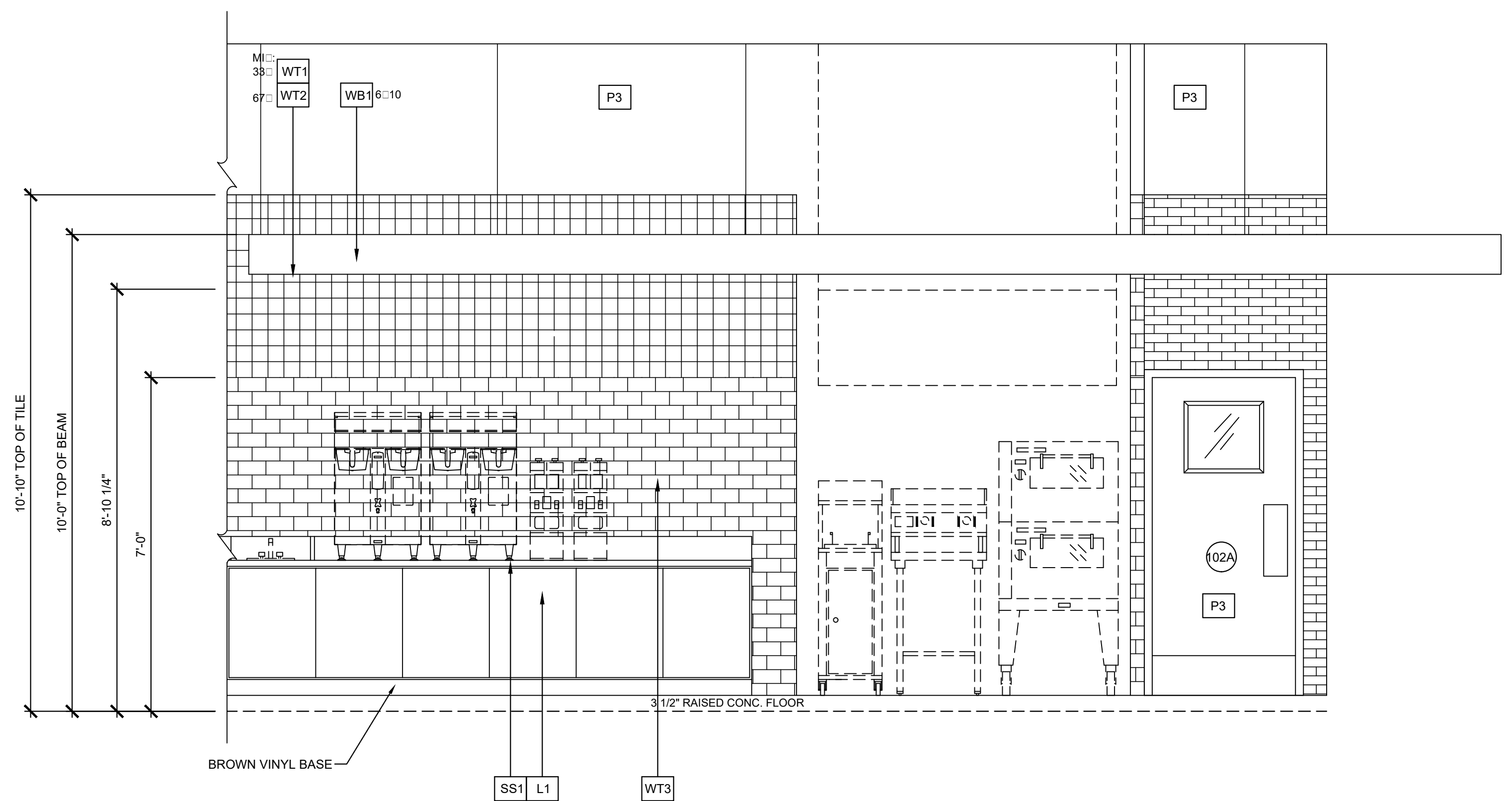
04 INTERIOR ELEVATION
SCALE: 1/2" = 1'-0"



03 INTERIOR ELEVATION
SCALE: 1/2" = 1'-0"

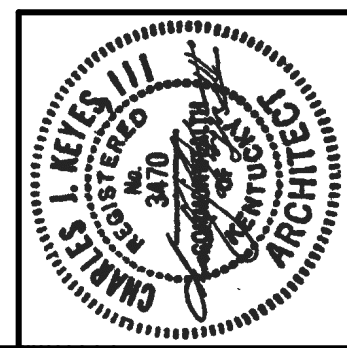


02 INTERIOR ELEVATION
SCALE: 1/2" = 1'-0"



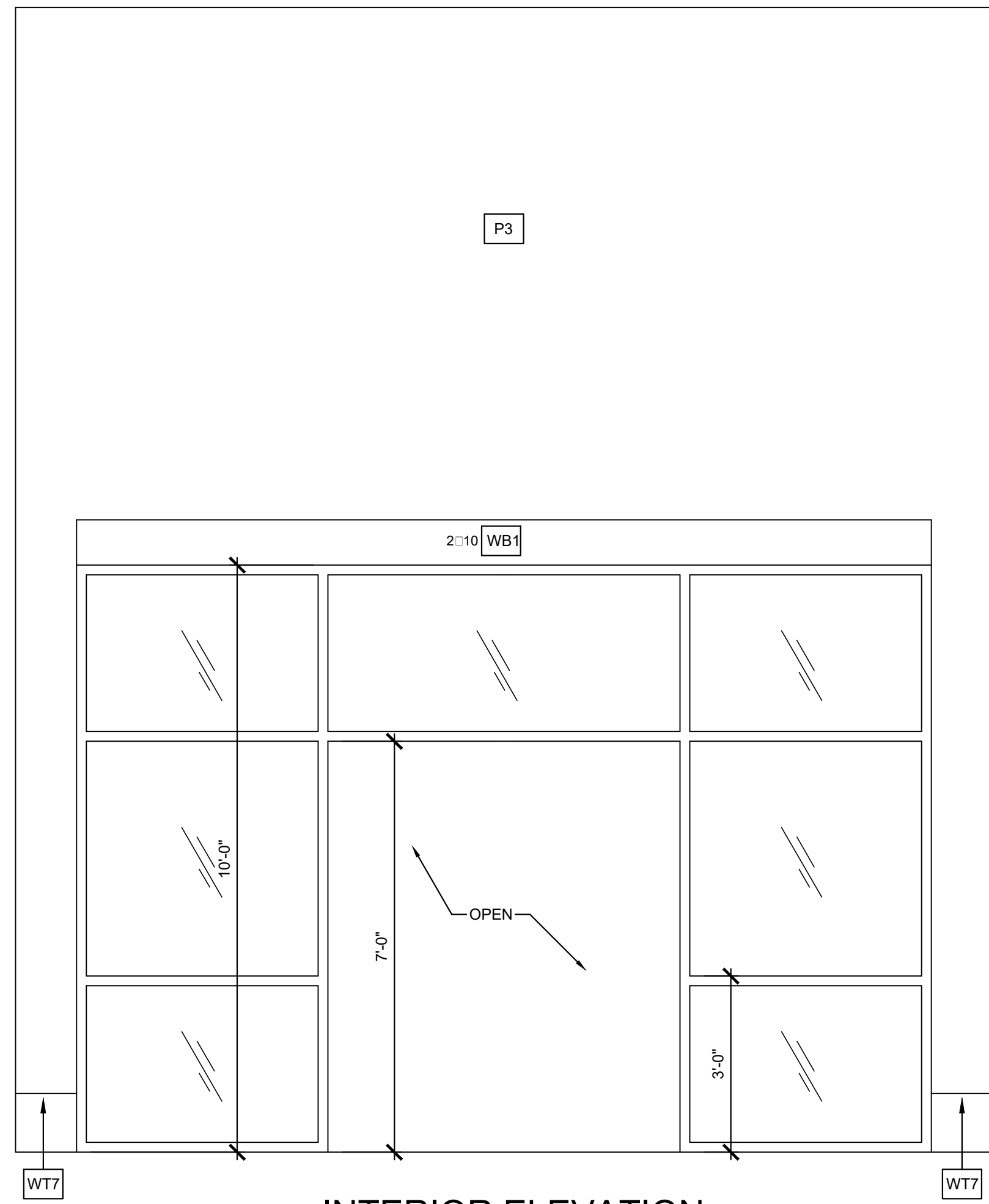
01 INTERIOR ELEVATION
SCALE: 1/2" = 1'-0"

Keyes Architects and Associates expressly reserves its common law copyright and other property rights in these documents. These documents are considered proprietary information and shall not be upgraded, changed or copied in any form or matter without our express written permission and consent of Keyes Architects and Associates, 3005 Tay or Boulevard, Louisville, Kentucky 40208

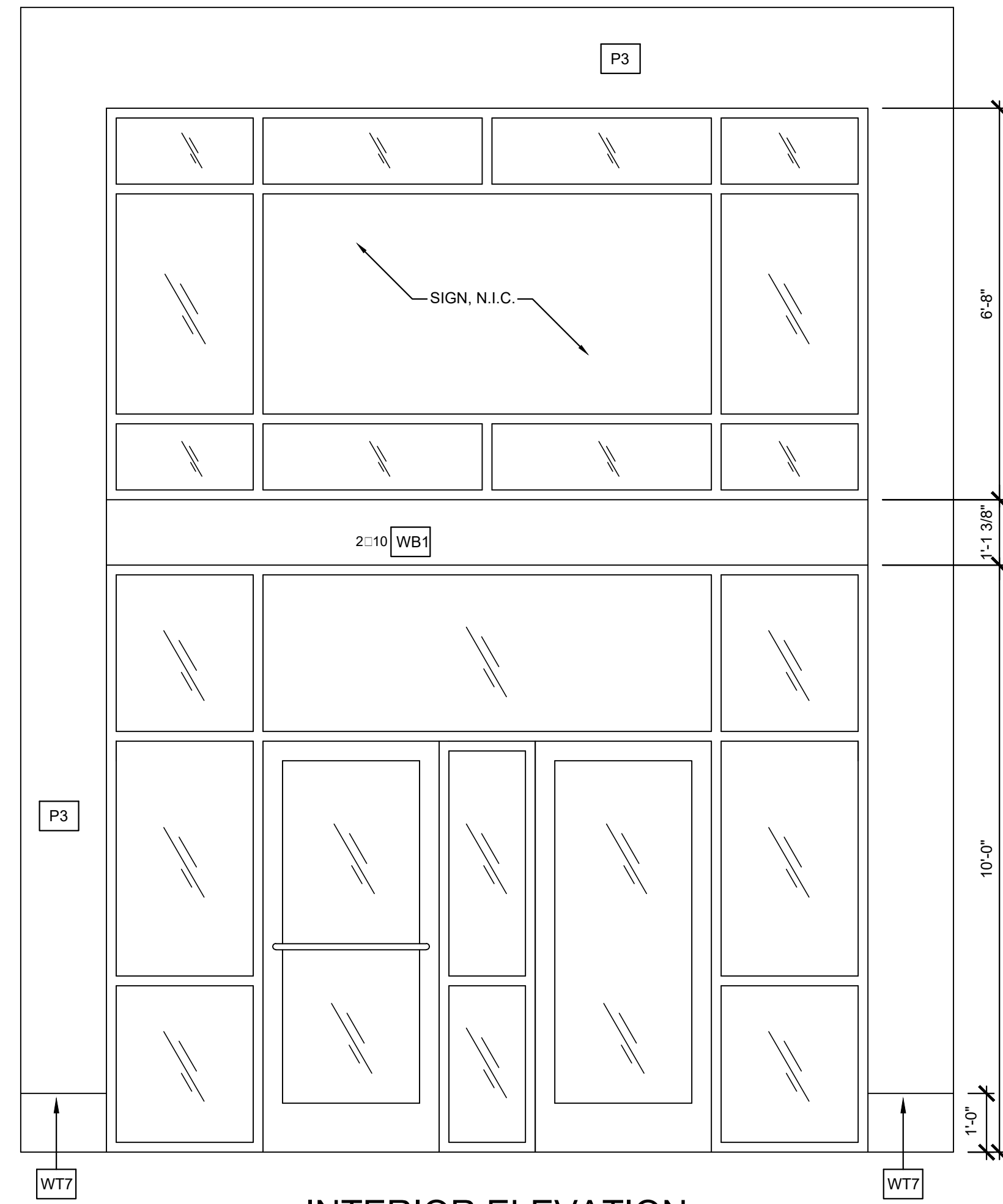


KEYES ARCHITECTS & ASSOCIATES
4717 PRESTON HIGHWAY
LOUISVILLE, KENTUCKY 40213 (502) 636-5113

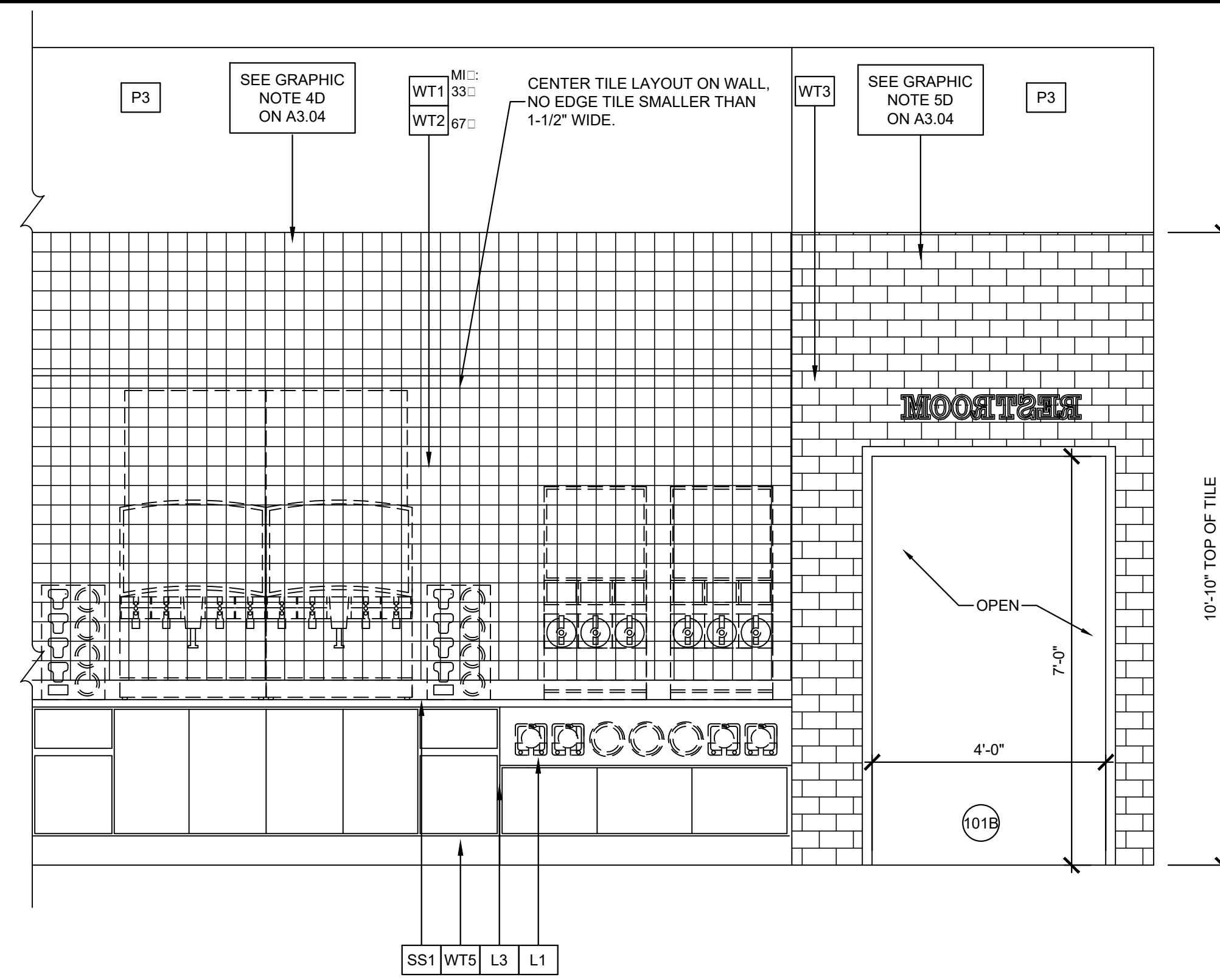
NEWCOMB OIL CO., LLC.
38 DEAD READY LANE
LEBANON, KY 40033



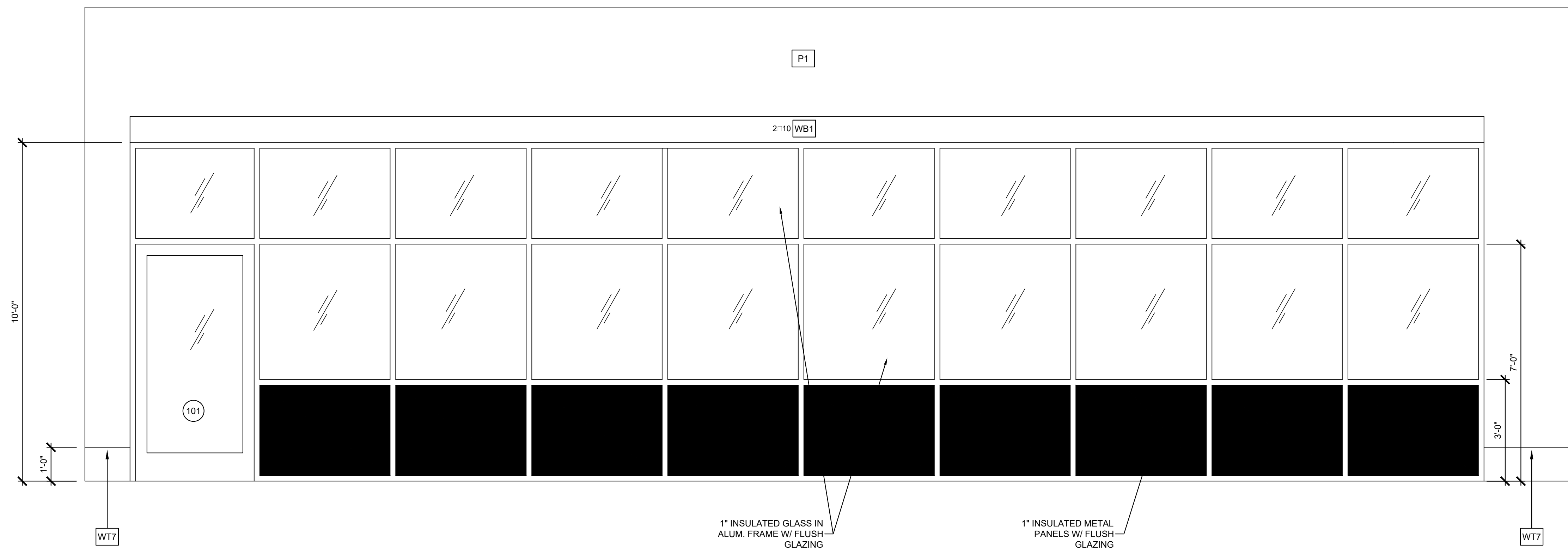
04 INTERIOR ELEVATION
SCALE: 1/2" = 1'-0"



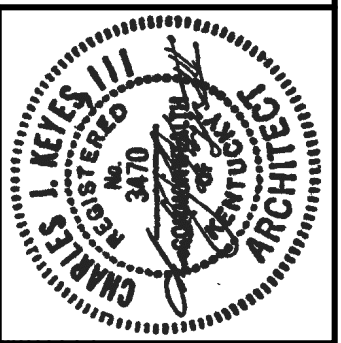
03 INTERIOR ELEVATION
SCALE: 1/2" = 1'-0"



02 INTERIOR ELEVATION
SCALE: 1/2" = 1'-0"



01 INTERIOR ELEVATION
SCALE: 1/2" = 1'-0"

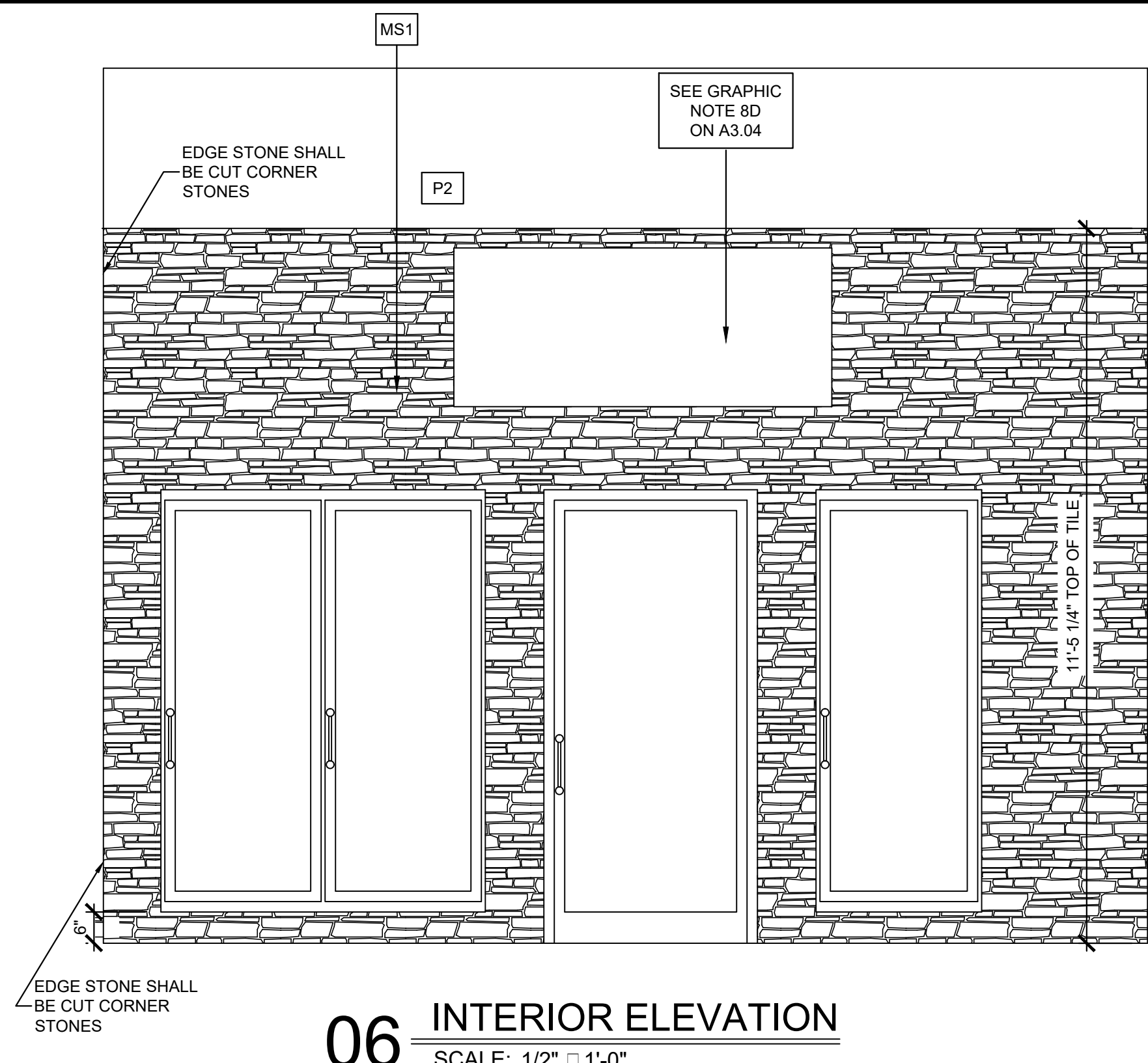


KEYES ARCHITECTS & ASSOCIATES
4717 PRESTON HIGHWAY
LOUISVILLE, KENTUCKY 40213 (502) 636-5113

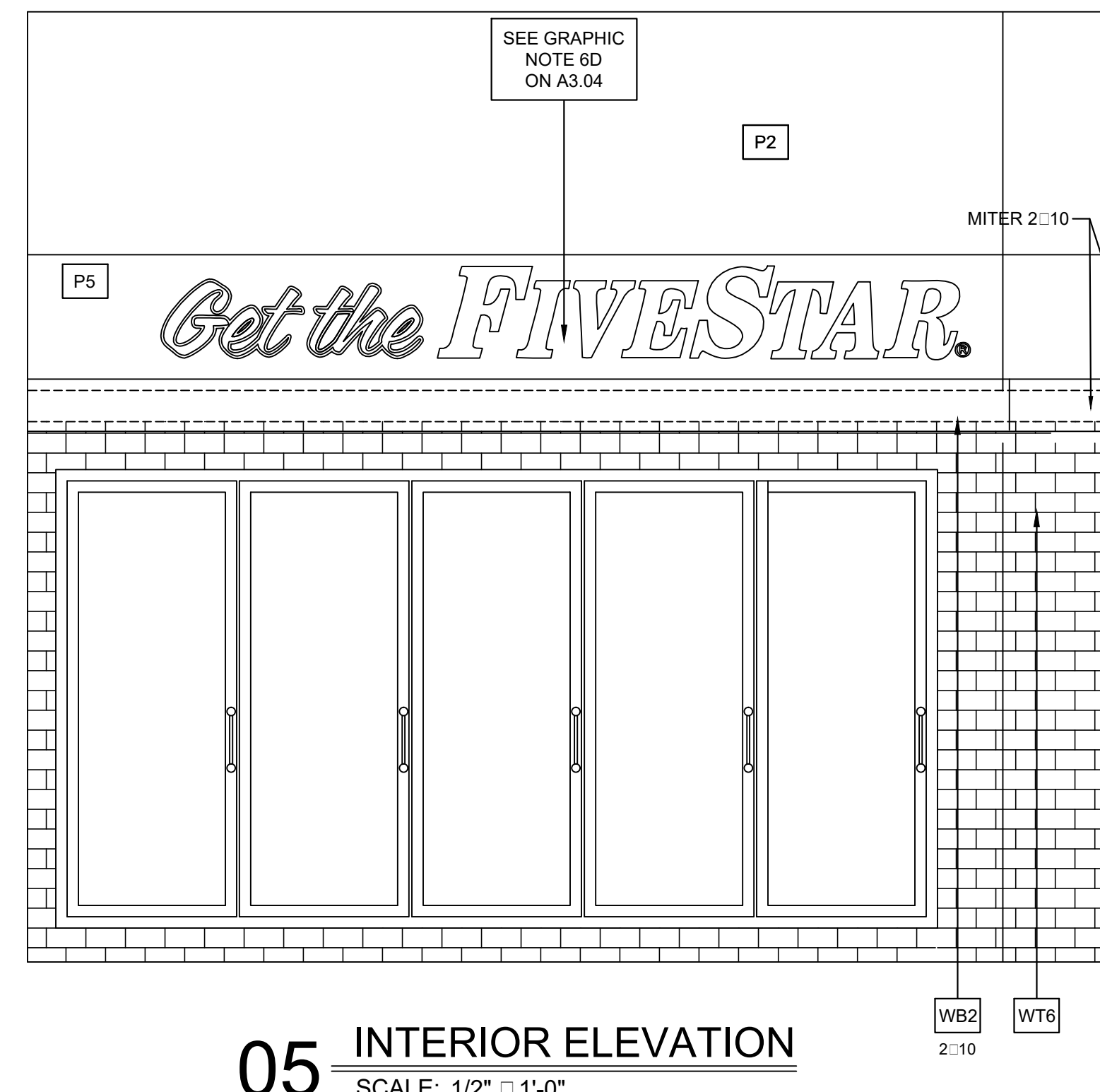
FIVESTAR STORE #4950
NEWCOMB OIL CO., LLC.
38 DEAD READY LANE
LEBANON, KY 40033

Keyes Architects and Associates expressly reserves its common law copyright and other property rights in these documents. These documents are considered proprietary information and shall not be upgraded, changed or copied in any form or matter without our prior written permission and consent of Keyes Architects and Associates, 3005 Tay or Boulevard, Louisville, Kentucky 40208

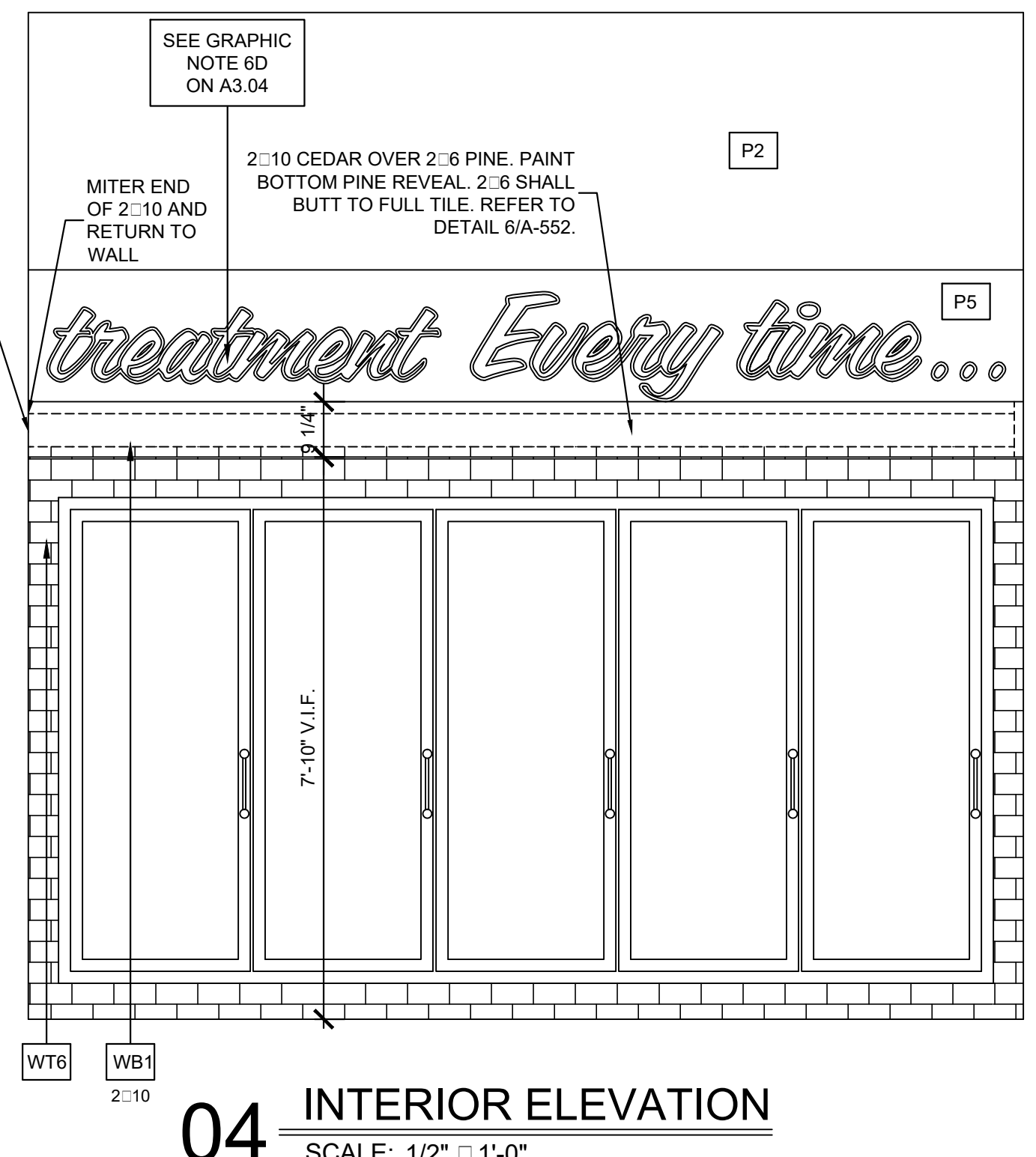
INTERIOR ELEVATIONS
A2.04



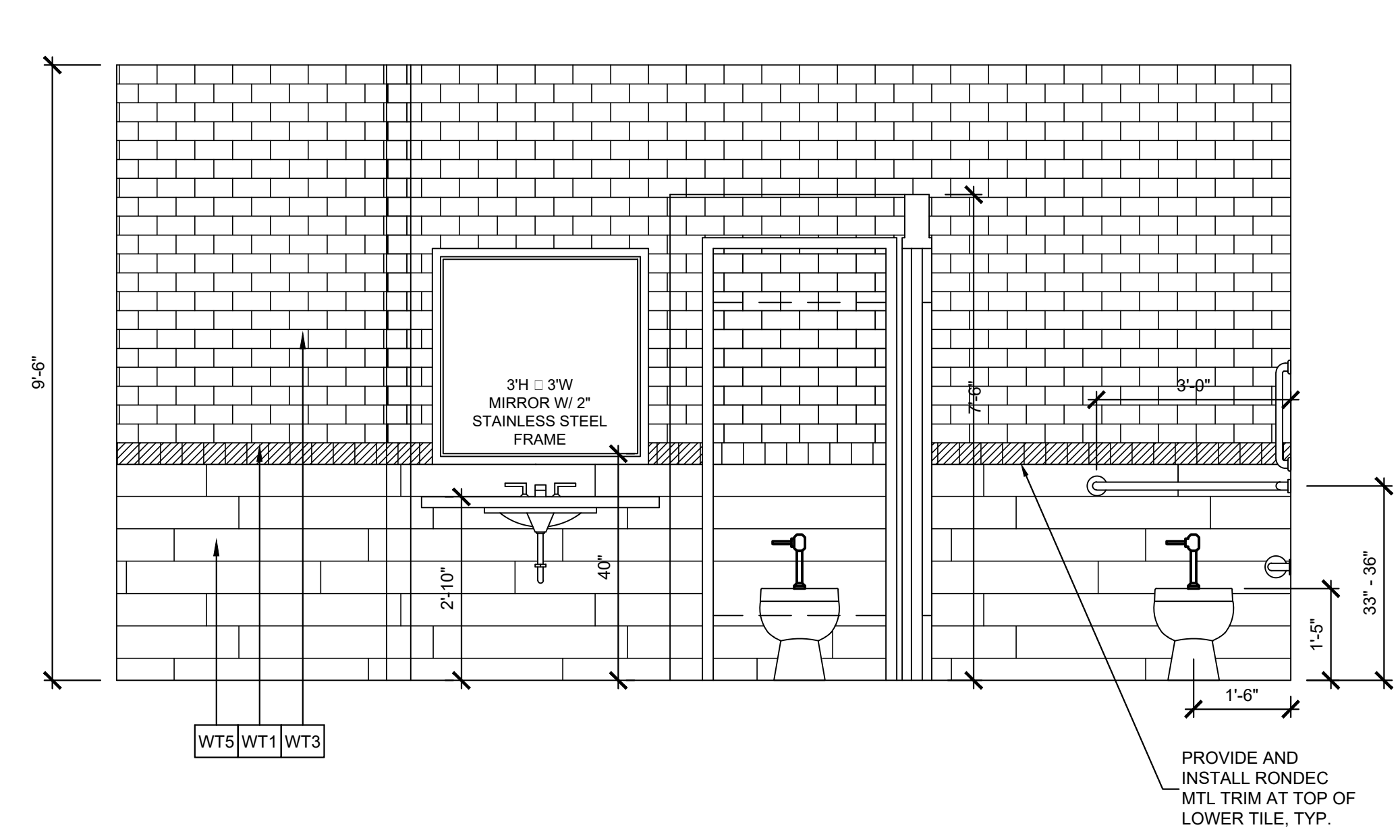
06 INTERIOR ELEVATION
SCALE: 1/2" □ 1'-0"



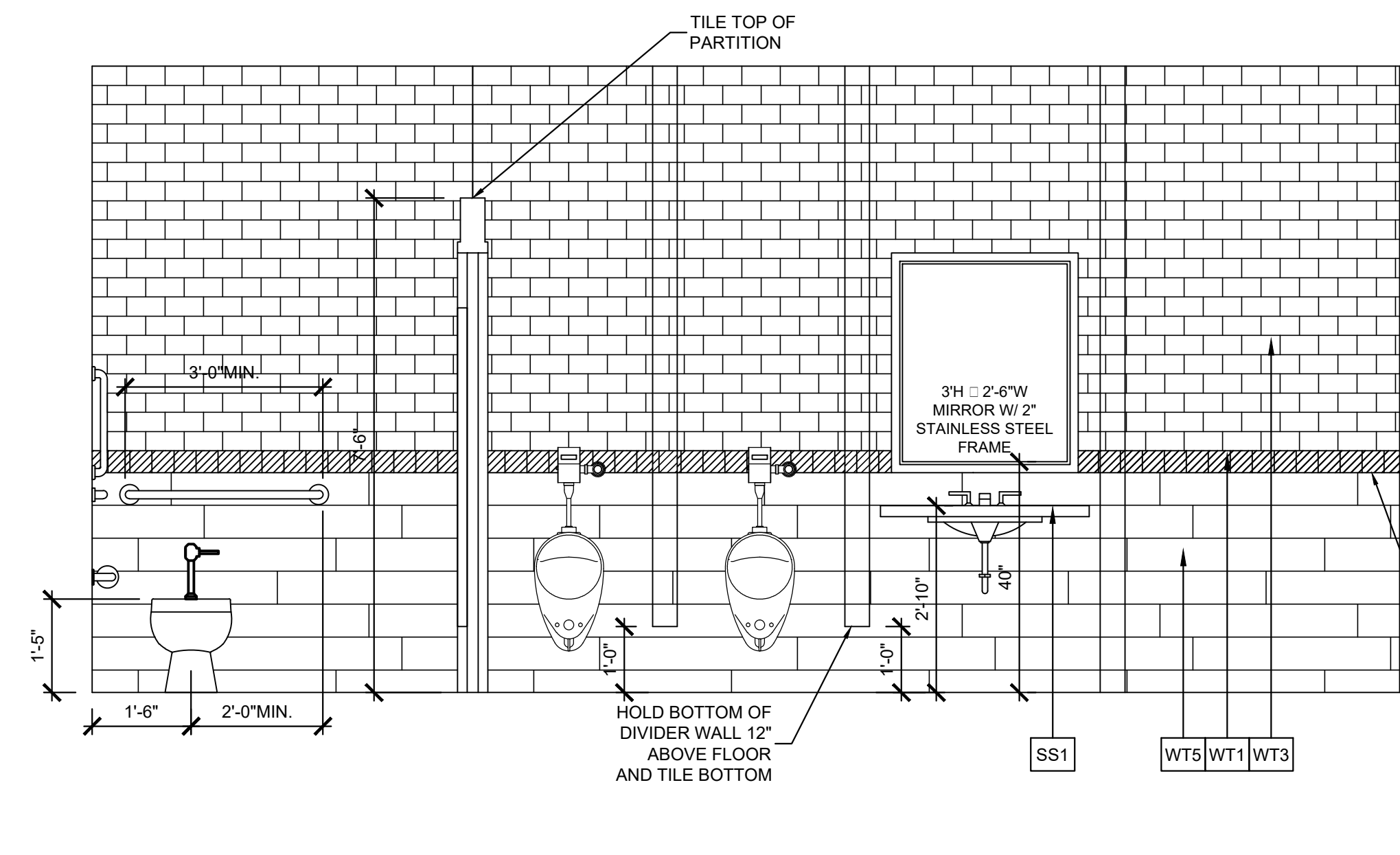
05 INTERIOR ELEVATION
SCALE: 1/2" □ 1'-0"



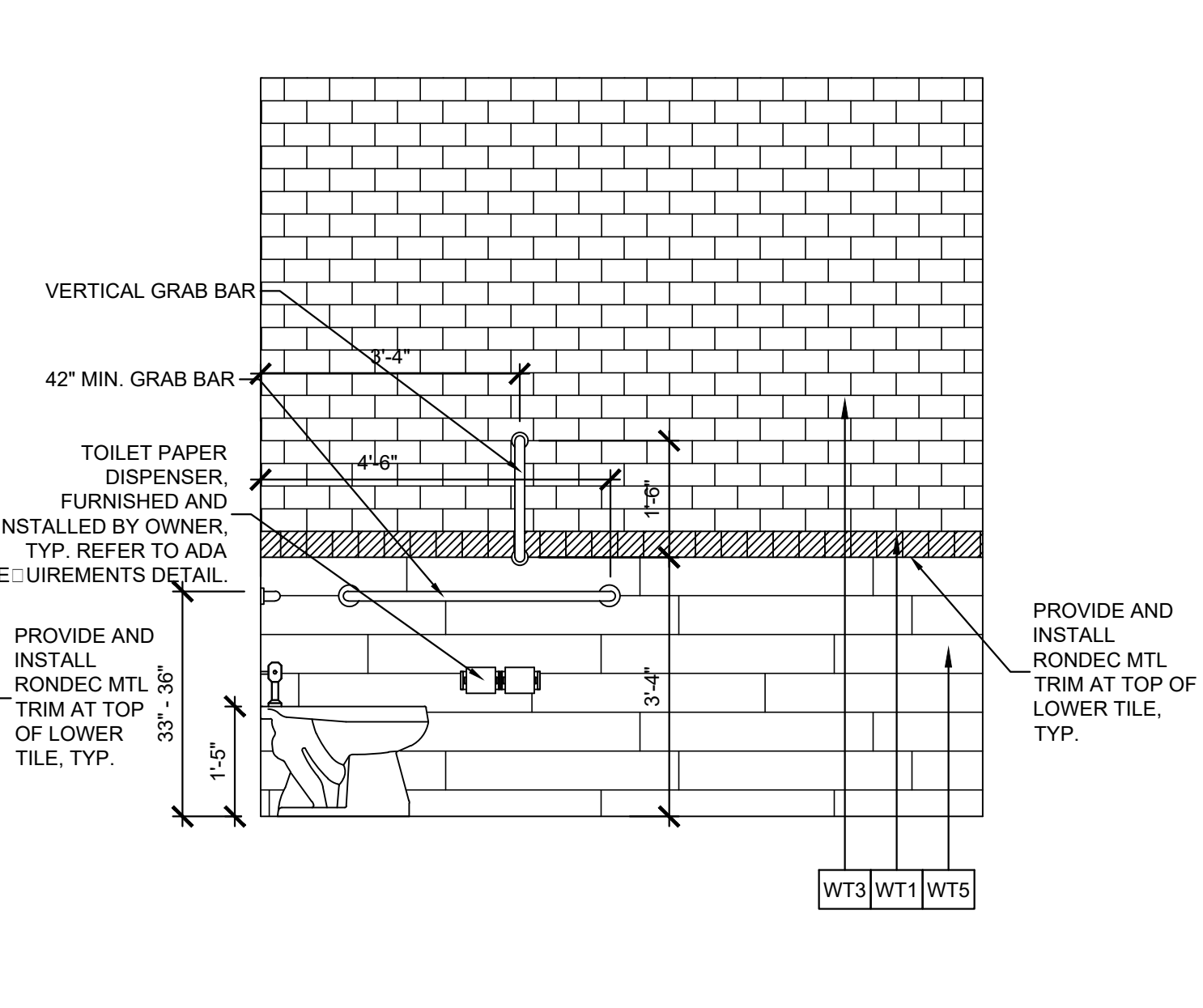
04 INTERIOR ELEVATION
SCALE: 1/2" □ 1'-0"



01 INTERIOR ELEVATION
SCALE: 1/2" □ 1'-0"



02 INTERIOR ELEVATION
SCALE: 1/2" □ 1'-0"



03 INTERIOR ELEVATION
SCALE: 1/2" □ 1'-0"

Keyes Architects and Associates expressly reserves its common law copyright and other property rights in these documents. These documents are considered proprietary information and shall not be upgraded, changed or copied in any form or matter without our prior written permission and consent of Keyes Architects and Associates, 3005 Tay or Boulevard, Louisville, Kentucky 40208

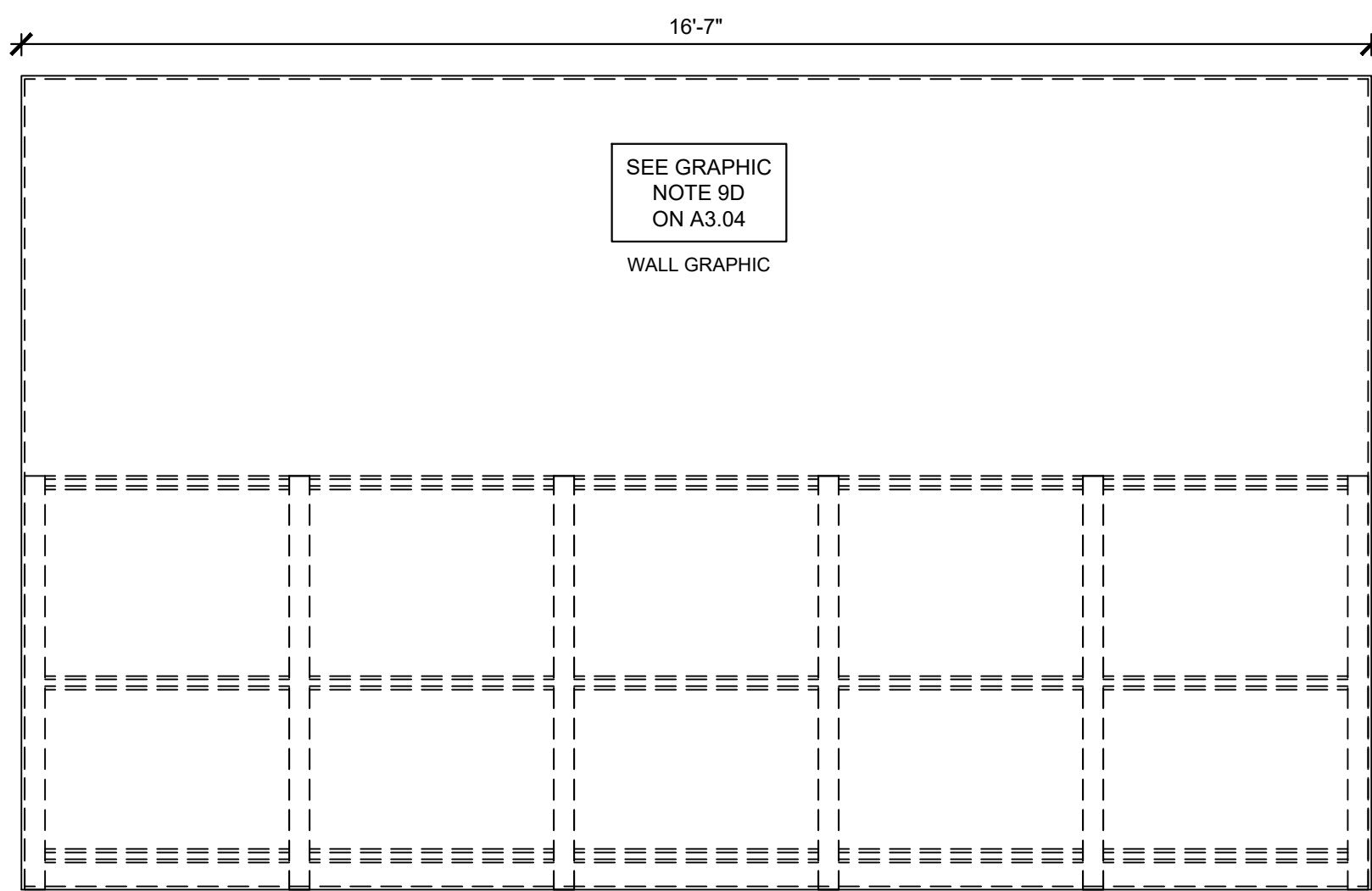


KEYES ARCHITECTS & ASSOCIATES
4717 PRESTON HIGHWAY
LOUISVILLE, KENTUCKY 40213 (502) 636-5113

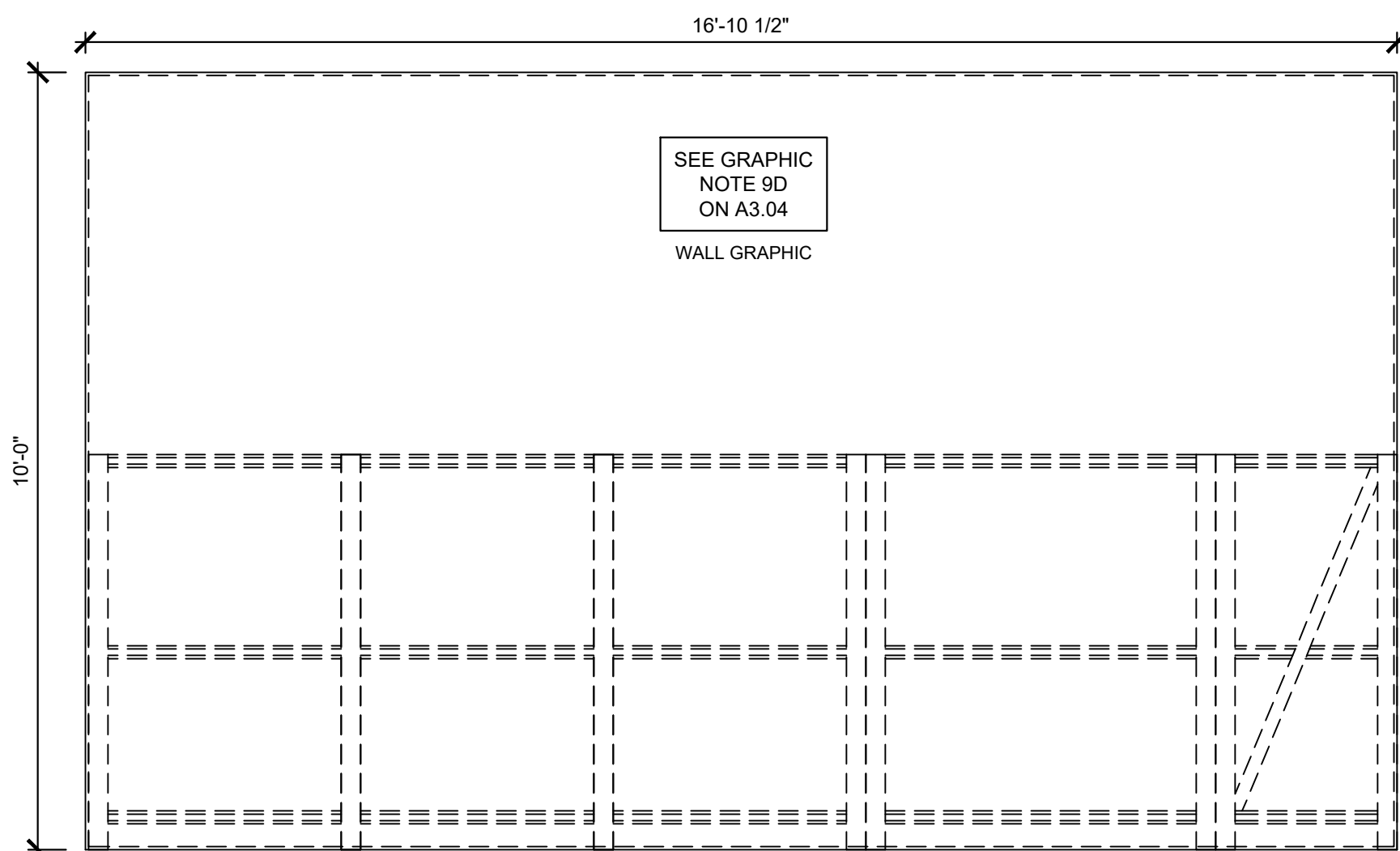
FIVESTAR STORE #4950
NEWCOMB OIL CO., LLC.
38 DEAD READY LANE
LEBANON KY 40033

PROJECT: NEWCOMB OIL CO., LLC. - FILE: A2.05 Interior Elevations.dwg - DATE: Jan 25, 2021 9:33AM - BY: HAROLD CO.

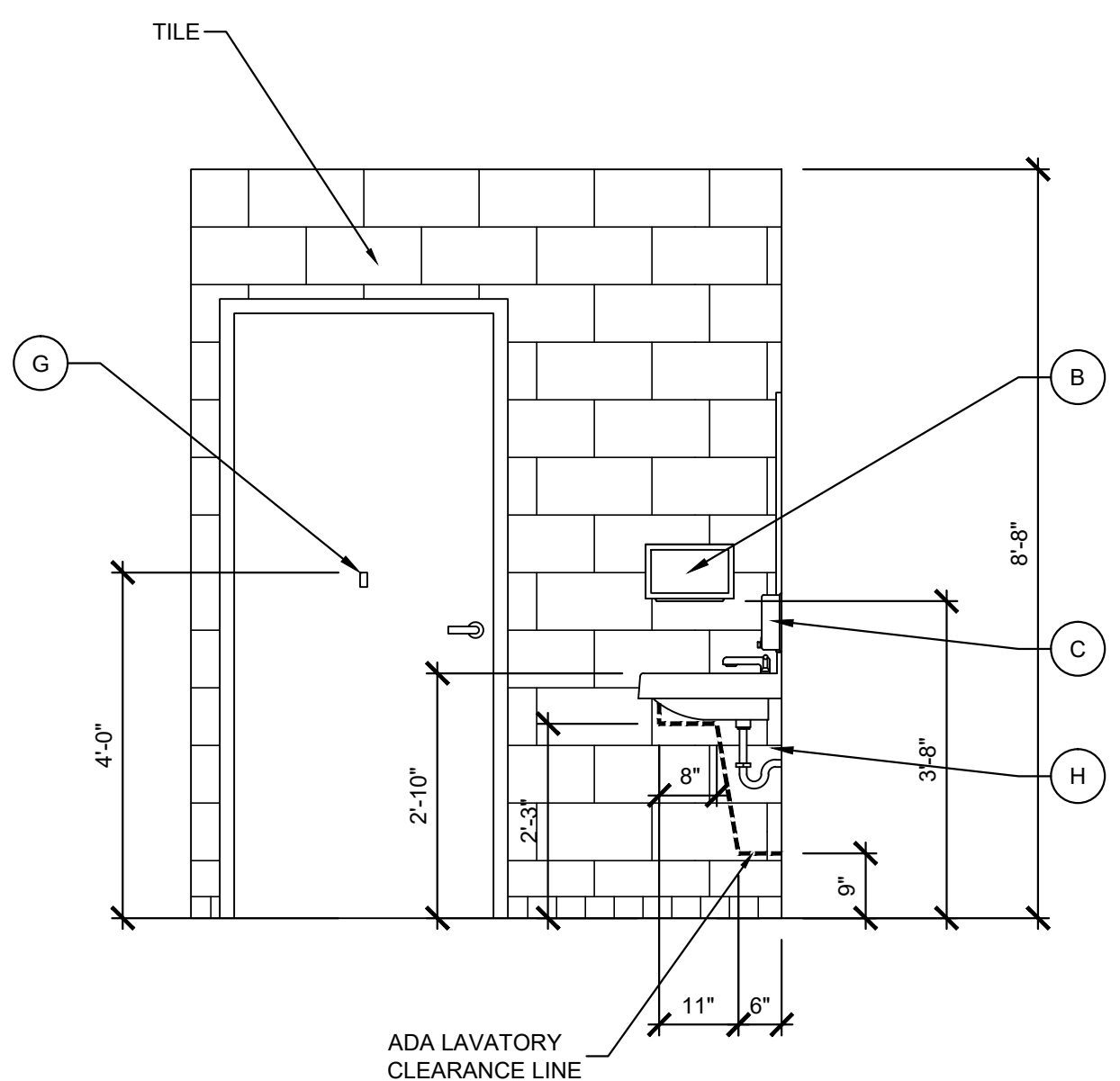
04 NOT USED
SCALE: N/A



01 INTERIOR ELEVATION
SCALE: 1/2" = 1'-0"



02 INTERIOR ELEVATION
SCALE: 1/2" = 1'-0"



03 A.D.A. REQUIREMENTS
SCALE: 1/2" = 1'-0"



KEYES ARCHITECTS & ASSOCIATES
4717 PRESTON HIGHWAY
LOUISVILLE, KENTUCKY 40213 (502) 636-5113

FIVESTAR STORE #4950
NEWCOMB OIL CO., LLC.
38 DEAD READY LANE
LEBANON, KY 40033

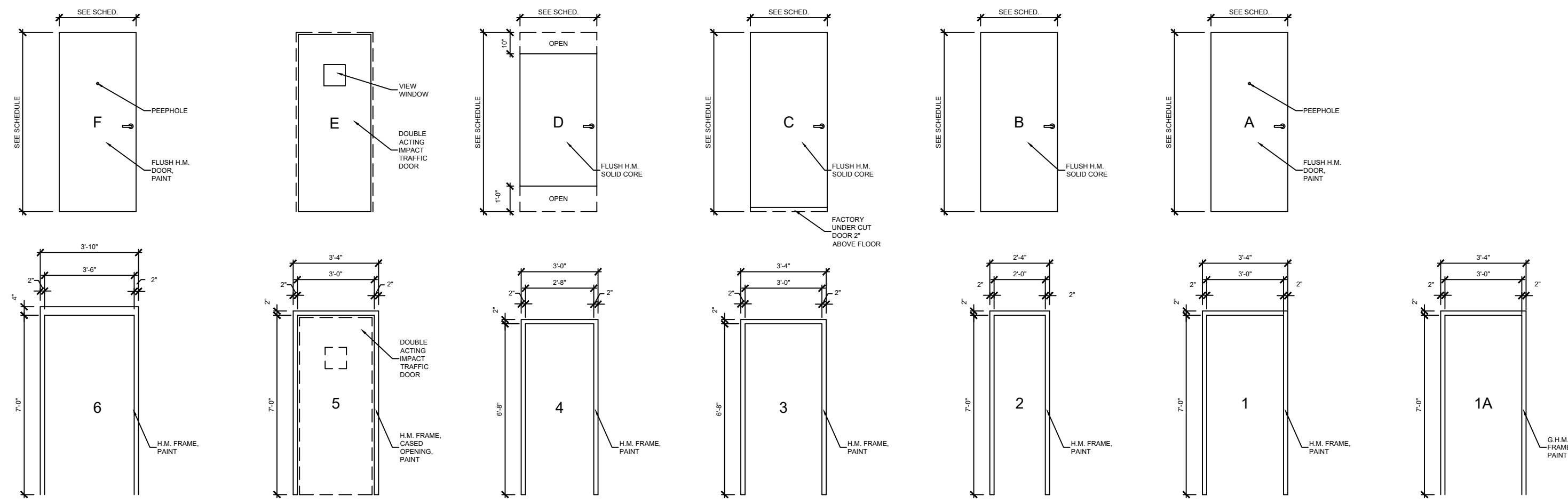
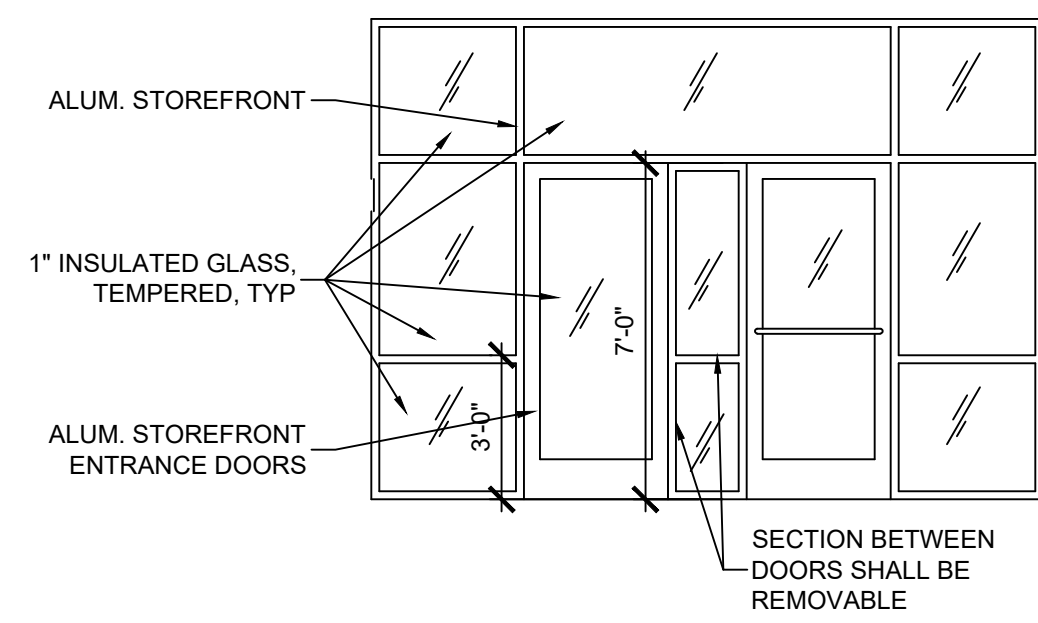
Keyes Architects and Associates expressly reserves its common law copyright and other property rights in these documents. These documents are considered proprietary information and shall not be upgraded, changed or copied in any form or matter without our prior written consent. Any third party without our first written consent shall be deemed to have no right to use, copy, reproduce, disseminate, or otherwise use these documents without our prior written permission and consent of Keyes Architects and Associates, 3005 Tay or Boulevard, Louisville, Kentucky 40208

PROJECT: NEWCOMB OIL CO., LLC. - FILE: A2.06 Interior Elevations.dwg - DATE: Jan 25, 2021 9:33AM - BY: HAROLD CO

DOOR & FRAME SCHEDULE

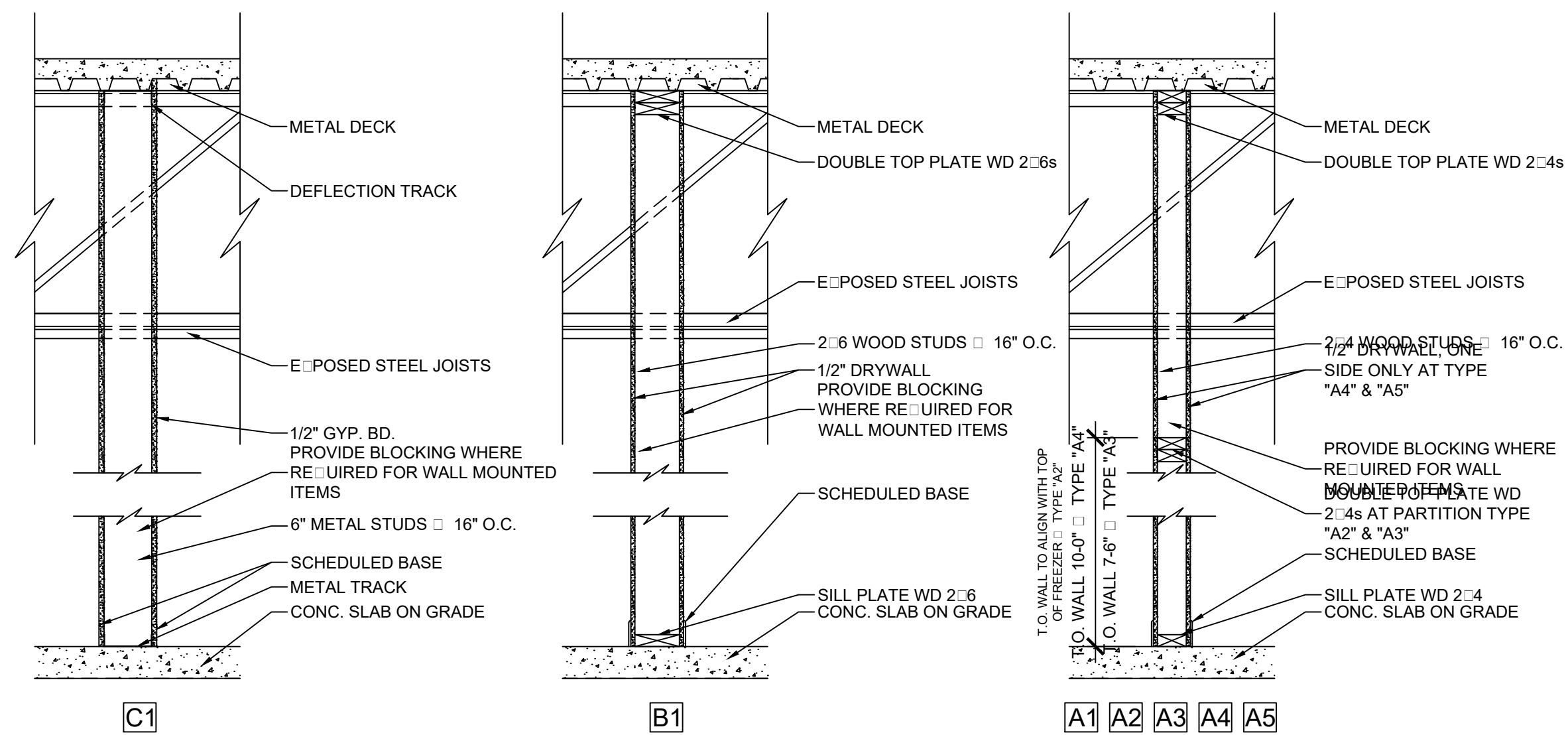
DOOR / ROOM NO.	DOORS				FRAMES				RATING	HRDW. SET	REMARKS
	SIZE	MATERIAL	TYPE	DEPTH	DETAILS						
					MATERIAL	TYPE	DEPTH	HEAD			
101 VESTIBULE	3'-0" x 7'-0" x 1-3/4"	ALUM.		ALUM.	-	-	-	-	-	-	HARDWARE BY DOOR MANUF. - CLEAR ANODIZED ALUM. PUSH BAR ON PUSH SIDE OF "OUT DOOR" - REFER TO NOTES FOR ADDITIONAL HARDWARE
102 VESTIBULE	3'-0" x 7'-0" x 1-3/4"	ALUM.		ALUM.	-	-	-	-	-	-	HARDWARE BY DOOR MANUF. - CLEAR ANODIZED ALUM. PUSH BAR ON PUSH SIDE OF "IN DOOR" - REFER TO NOTES FOR ADDITIONAL HARDWARE
103 VESTIBULE	3'-0" x 7'-0" x 1-3/4"	ALUM.		ALUM.	-	-	-	-	-	-	HARDWARE BY DOOR MANUF. - CLEAR ANODIZED ALUM. PUSH BAR ON PUSH SIDE OF "OUT DOOR" - REFER TO NOTES FOR ADDITIONAL HARDWARE
104 VESTIBULE	3'-0" x 7'-0" x 1-3/4"	ALUM.		ALUM.	-	-	-	-	-	-	HARDWARE BY DOOR MANUF. - CLEAR ANODIZED ALUM. PUSH BAR ON PUSH SIDE OF "IN DOOR" - REFER TO NOTES FOR ADDITIONAL HARDWARE
105 SALES	3'-6" x 7'-0" x 1-3/4"	ALUM.		ALUM.	-	-	-	-	-	-	HARDWARE BY DOOR MANUF. - CLEAR ANODIZED ALUM. PANIC DEVICE - REFER TO NOTES FOR ADDITIONAL HARDWARE
NOT USED	-	-		-	-	-	-	-	-	-	-
107 DELI	3'-0" x 7'-0" CASED OPENING	ALUM.	E	H.M.	5	-	-	-	-	-	ELIASON DOOR
108 DELI	3'-0" x 7'-0" CASED OPENING	ALUM.	E	H.M.	5	-	-	-	-	-	ELIASON DOOR
109 OFFICE	3'-0" x 7'-0" x 1-3/4"	H.M.	B	H.M.	1	-	-	-	-	-	LEVER, TRILOGY LOCK, HINGES, WALL STOP
110 OFFICE CLO.	2'-0" x 7'-0" x 1-3/4"	H.M.	C	H.M.	2	-	-	-	-	TRILOGY	LEVER, LOCK, PICK GUARD, HINGES, WALL STOP, UNDERCUT DOOR 1"
111 ELEC. RM.	3'-0" x 7'-0" x 1-3/4"	H.M.	B	H.M.	1	-	-	-	-	-	PANIC DEVICE, HINGES, CLOSER INSIDE, FLOOR STOP
112 HALLWAY	3'-0" x 7'-0" x 1-3/4"	H.M.	B	H.M.	1	-	-	-	-	TRILOGY	LEVER, LOCK, HINGES, CLOSER INSIDE, WALL STOP, FULL HEIGHT AND WIDTH S.S. DOOR PROTECTION PLATE ON PUSH SIDE
113 W. RESTROOM	2'-4" x 6'-8" x 1-3/4"	H.M.	D	H.M.	4	-	-	-	-	-	OCCUPIED/UNOCCUPIED DEADBOLT, PUSH/PULL DRILLED TO ACCOMMODATE DEADBOLT, HINGES
114 W. RESTROOM	3'-0" x 6'-8" x 1-3/4"	H.M.	D	H.M.	3	-	-	-	-	-	OCCUPIED/UNOCCUPIED DEADBOLT, PUSH/PULL DRILLED TO ACCOMMODATE DEADBOLT, HINGE, SPRING HINGE
115 CLOSET	3'-0" x 7'-0" x 1-3/4"	H.M.	B	H.M.	1	-	-	-	-	-	PASSAGE LEVER SET, HINGES, CLOSER WITH 90° STOP AND MOUNTED INSIDE CLOSET
116 M. RESTROOM	3'-0" x 6'-8" x 1-3/4"	H.M.	D	H.M.	3	-	-	-	-	-	OCCUPIED/UNOCCUPIED DEADBOLT, PUSH/PULL DRILLED TO ACCOMMODATE DEADBOLT, HINGE, SPRING HINGE
117 STORAGE	3'-0" x 7'-0" x 1-3/4"	H.M.	B	H.M.	1	-	-	-	-	-	PULL, CLOSER INSIDE, HINGES, CLOSER STOP AT 110°, FULL HEIGHT AND WIDTH S.S. DOOR PROTECTION PLATE ON PUSH SIDE
118 STORAGE	3'-0" x 7'-0" x 1-3/4"	G.H.M.	A	G.H.M.	1A	-	-	-	-	-	GALV. INSUL. PANIC DEVICE NO HARDWARE OUTSIDE; SCREW ON WEATHER STRIPPING & SWEEP, THRESHOLD, PEEP HOLE, HINGES, CLOSER, 4" HEAD
119 DISHWASHING	3'-6" x 7'-0" x 1-3/4"	G.H.M.	F	G.H.M.	6	8 1/2"	-	-	-	-	GALV. INSUL. PANIC DEVICE NO HARDWARE OUTSIDE; SCREW ON WEATHER STRIPPING & SWEEP, THRESHOLD, PEEP HOLE, HINGES, CLOSER, 4" HEAD

- NOTES:
- GLASS SHALL BE TEMPERED WHERE REQUIRED BY CODE.
 - VERIFY ALL WALL DEPTHS, REQUIRED FRAME DEPTHS AND FRAME DIMENSIONS IN THE FIELD.
 - DOOR 110B SHALL HAVE A THRESHOLD, PEEP HOLE, PICK GUARD AND WEATHER STRIPPING.
 - DOORS 100A, 100B, 100C AND 100D SHALL BE KEYED ALIKE. PUSH BAR ON IN AND OUT.
 - DOORS 103A AND 108 SHALL BE KEYED ALIKE.
 - DOOR 103B OFFICE CLOSET SHALL BE KEYED SEPARATELY.
 - ALL DOORS SHALL HAVE 3 HINGES EXCEPT FOR ENTRANCE DOORS, REFER TO NOTES BELOW.
 - ALL HINGES ARE BALL BEARING.
 - ALL CLOSURES ARE MEDIUM DUTY.
 - ALL LEVER SETS ARE MEDIUM DUTY.
 - DOOR HARDWARE SHALL MEET HANDICAP REQUIREMENTS.
 - ALL DOORS SHALL HAVE DOOR SILENCERS AND DOOR STOPS INCLUDING RESTROOM STALL DOORS.
 - HARDWARE FOR ALUM. DOORS 100A, 100B, 100C, 100D AND 101A PROVIDED BY MANUFACTURER. HINGES (1 1/2 PAIR OF BUTT HINGES FOR DOOR 101A, CONTINUOUS HINGES FOR DOORS 100A, 100B, 100C AND 100D; DEADLOCK, WITH 5 PIN CYLINDER KEYED ALIKE; INTERIOR THUMB TURN, GRADE 1, ADA, CLOSER, WITH ADJUSTABLE SPRING TENSION, ADA THRESHOLDS (GROUTED SOLID); WEATHER STRIP, & BOTTOM RAIL SWEEP. REFER TO SCHEDULE FOR PUSH BARS AND PANIC DEVICE. NO PULLS ON ALUM. DOORS.
 - CLOSERS ON DOORS INTO STORAGE AND RESTROOMS SHALL BE INSTALLED ON STORAGE AND RESTROOM SIDE SO THAT THEY ARE NOT VISIBLE FROM THE HALLWAY.



01 DOOR DETAILS

SCALE: 1/4" = 1'-0"



NOTE:
DRYWALL NOT REQUIRED ON EXPOSED SIDE ABOVE COOLERS, INSIDE CHASE AND SIMILAR LOCATIONS

02 PARTITION DETAILS

SCALE: 3/4" = 1'-0"

PROJECT NO:
20-4089
DRAWN BY:
HWC/
DATE:
01/15/2021



KEYES ARCHITECTS & ASSOCIATES
4717 PRESTON HIGHWAY
LOUISVILLE, KENTUCKY 40213 (502) 636-5113

FIVESTAR STORE #4950
NEWCOMB OIL CO., LLC.
38 DEAD READY LANE
LEBANON, KY 40033

INTERIOR FINISH SCHEDULE

CODE	DESCRIPTION / LABEL	COLOR	MANUFACTURER
	AREA / SUBSTRATE	PRODUCT # OR SERIES	CONTACT
P1	SUPERPAINT INT. LATE: SATIN / PRIMER	#SW7506 LOGGIA	SHERWIN WILLIAMS
	SALES FLR. & STORAGE ROOM WALLS / DRYWALL	A87W01151	
P2	SUPERPAINT INT. LATE: SATIN / FINISH	#SW6221 MOODY BLUE	SHERWIN WILLIAMS
	ACCENT ABOVE COOLER WALL / DRYWALL	A87W01153	
P3	SUPERPAINT INT. LATE: SATIN / FINISH	#SW7598 SIERRA REDWOOD	SHERWIN WILLIAMS
	FRONT DOOR WALL / DRYWALL	A87W01153	
P4	PRO INDUST. PRECATAL. WATERBASED EPOXY EG-SHEL / FINISH	#SW7515 HOMESTEAD BROWN	SHERWIN WILLIAMS
	DOOR JAMBS / STEEL	K45T00154	
P5	SUPERPAINT INT. LATE: SATIN / FINISH	#SW6395 ALCHEMY	SHERWIN WILLIAMS
	ABOVE WALK-IN COOLER / DRYWALL	A87W01153	
P6	PRO INDUSTRIAL URETHANE ALKYD ENAMEL GLOSS / FINISH	#SW7598 SIERRA REDWOOD	SHERWIN WILLIAMS
	INTERIOR METAL DOORS / STEEL	B54T00154	
SS1	1/2" SOLID SURFACING	COLOR: SERENE SAGE	CORIAN
		COLLECTION: TERRA	800.426.7426
L1	PLASTIC LAMINATE ARTISAN FINISH	#6206-43	FORMICA
		PLANKED DELUPE PEAR	1.800.FORMICA
L2	PLASTIC LAMINATE CASHMERE FINISH	#P-260 CA	ARBORITE
		TATAMI SABI	800.361.8712
L3	PLASTIC LAMINATE CASHMERE FINISH	#P-354 CA	ARBORITE
		TATAMI KOKOA	800.361.8712
WB1	6" x 10, 2" x 10 & 4" x 10 WOOD BEAMS	CLEAR SEALER	LOCAL SUPPLIER
			BY GENERAL CONTRACTOR
MS1	MANUFACTURED STONE VENEER	SERIES: STACKED STONE	ELDORADO STONE
		COLOR: DRY CREEK	800.925.1491
WT1	4" x 4 GLAZED PORCELAIN CERAMIC TILE WALL TILE	#093 FIREBRICK	DALTILE
		#145 LIGHT SMOKE	
WT2	4" x 4 GLAZED PORCELAIN CERAMIC TILE WALL TILE	#0190 ARCTIC WHITE	DALTILE
		#145 LIGHT SMOKE	
WT3	4" x 8 GLAZED PORCELAIN CERAMIC TILE WALL TILE	#0190 MOD ARCTIC WHITE	DALTILE
		#145 LIGHT SMOKE	
WT4	9/16" FIRED BRICK FLATS WALL TILE	#410 LINCOLN HERITAGE	EVOLUTION BRICK
		#543 DRIFTWOOD	
WT5	6" x 36 COLORBODY PORCELAIN TILE WALL/FLOOR TILE	#HH03 TEAK	DALTILE
		#145 LIGHT SMOKE	
WT6	4" x 8 GLAZED PORCELAIN TILE WALL TILE	CUSTOM COLOR - TC1481P 4-B T01	DALTILE
		#09 NATURAL GREY	
WT7	12" x 12 COLORBODY PORCELAIN TILE COVEBASE TILE	#VL78 ACCENT BROWN	DALTILE
		#145 LIGHT SMOKE	
WT9	FINISHING & EDGE-PROTECTION PROFILES	FINISH: AT SATIN NICKEL ANODIZED ALUM	SCHLUTER SYSTEMS: SCHLUTER.COM
	FOR WALLS	- DESIGNLINE 1/4"	1.800.472.4588
	USED ON ALL HIGH ABUSE CORNERS W/TILE	- RONDEC 1/4"	
FRP-1	MARLITE AT 10'-0"	STANDARD COLOR	MARLITE
	WALL COVERING		

INTERIOR GENERAL NOTES :

- ROUTE ALL ELECTRICAL COMPONENTS TO DECORATIVE LIGHTING OUT OF CUSTOMER'S VIEW.
- USE ALUMINUM KICK PLATES ON BOTH THE INSIDE AND OUTSIDE OF REST ROOM DOORS. BY OWNER.
- ALL FITURES ON DOORS TO BE US26D DULL CHROMIUM UNLESS OTHERWISE SPECIFIED.
- MAIN SALES CABINET TO BE FINISHED IN 1:1:1 ON EMPLOYEE SERVICE SIDE AND SUPPORT AREAS.
- COOLER DOORS TO BE FACTORY FINISH BLACK FRAMES.
- SALES FLOOR GONDOLAS TO BE FACTORY FINISHED BLACK.
- ALL FLOOR TILE GROUT TO HAVE "GROUT BOOST".
- EXPOSED DUCTWORK MUST BE PRIMED AND PAINTED BEFORE CEILING IS PAINTED.
- CONTRACTOR SHALL CAULK DOOR JAMBS INSIDE RESTROOMS WITH SANDED CAULK PROVIDED BY LOUISVILLE TILE. ALL OTHER DOOR JAMBS AND MARLITE TO BE CAULKED WITH SHERWIN WILLIAMS POWER HOUSE 60 YR. COLOR: TO MATCH GROUT
- ALL GYPSO WALLS SHALL BE PAINTED.
- PAINT EXPOSED STRUCTURE.
- PROVIDE AND INSTALL RONDEC MTL TRIM AT ALL OUTSIDE TILE CORNERS AND WHERE NOTED ON INTERIOR ELEVATIONS.
- "GROUT BOOST" TO BE USED TO MIX GROUT INSTEAD OF WATER.
- ALL INTERIOR BOLLARDS SHALL BE PAINTED BY NEWCOMB OIL CO
- INSTALL WHITE CAULK AT ALL WALL TO CEILING JOINTS
- TOP OF "WT5" TILE SHALL BE APPROXIMATELY 41" ABOVE FINISH FLOOR TO PREVENT THIN CUT TILE AT FLOOR AND CEILING. THE 41" DIMENSION CAN BE ADJUSTED SLIGHTLY TO ACHIEVE NO LESS THAN HALF A TILE AT THE FLOOR AND CEILING.

GRAPHIC DETAIL NOTES [GRAPHICS BY OWNER]

CODE	DESCRIPTION - REFER TO INTERIOR RENDERINGS FOR OVERALL GRAPHIC APPEARANCE.
	CONTACT PARAGON FOR ORIGINAL ARTWORK.
1D	"FIVE STAR" SIGN: THE TEXT IS TO BE 1" DIMENSIONAL TEXT & BACKLIT IN WHITE LED HALO LIGHTING. THE TEXT IS TO BE PAINTED ON ALL SIDES.
3D	"COFFEE BREW" SIGN/GRAPHIC: THE BACKGROUND CIRCLE IS TO BE HUNG FROM THE CEILING BY A CHAIN LINK. THE "COFFEE BREW" TEXT IS TO BE BACKLIT IN RED LED HALO. THE CUP IS TO BE 3D AND PROTRUDING FROM THE CIRCLE.
4D	"FREEZE & FOUNTAIN" SIGN: THE BACKGROUND BAND IS TO BE A BRUSHED STAINLESS STEEL METAL. THE "FREEZE & FOUNTAIN" TEXT ARE TO BE BACKLIT IN BLUE LED HALO LIGHTING.
5D	"RESTROOM", "MENS", & "WOMENS" SIGNS: THE "RESTROOM" TEXT IS TO BE 1/2" THICK DIMENSIONAL & PAINTED ON ALL SIDES. THE MENS & WOMENS TEXT IS TO BE 1/4" THICK DIMENSIONAL AND FACED IN A BRUSHED STAINLESS STEEL LAMINATE.
6D	"GET THE FIVE STAR TREATMENT... EVERY TIME" SIGN: THE TEXT IS TO BE 2" THICK DIMENSIONAL TEXT AND PAINTED ON ALL SIDES. THE LETTERS ARE TO BE BACKLIT IN YELLOW LED HALO LIGHTING.
7D	"ATM" SIGN: THE TEXT IS TO BE 1/2" THICK DIMENSIONAL TEXT AND OUTLINED IN BRUSHED STAINLESS STEEL. NOTE: NOT IN ELEVATIONS - TO BE PROVIDED AS NECESSARY. BY OWNER.
8D	"THE BEER CAVE" SIGN/GRAPHIC: THE BACKGROUND OVAL IS TO BE MADE OF BRUSHED STAINLESS STEEL OR ALUMINUM.
	"THE BEER CAVE" TEXT IS TO BE 2" THICK DIMENSIONAL TEXT AND PAINTED ON ALL SIDES.
	THE 3 SNOW FLAKES ARE TO BE AT 3 DIFFERENT DEPTHS AND THE ARE TO HAVE BLUE LED HALO LIGHTING PLACED BEHIND EACH INDIVIDUAL CIRCLE.
9D	ICE WALL GRAPHIC: IS TO BE A DIGITALLY PRINTED WALL GRAPHIC WRAP TO BE APPLIED TO THE INTERIOR WALLS OF THE BEER CAVE. MAKE SURE ALL ASSEMBLY ELEMENTS ARE ADAPTABLE FOR CONSTANT COLD TEMPERATURES.

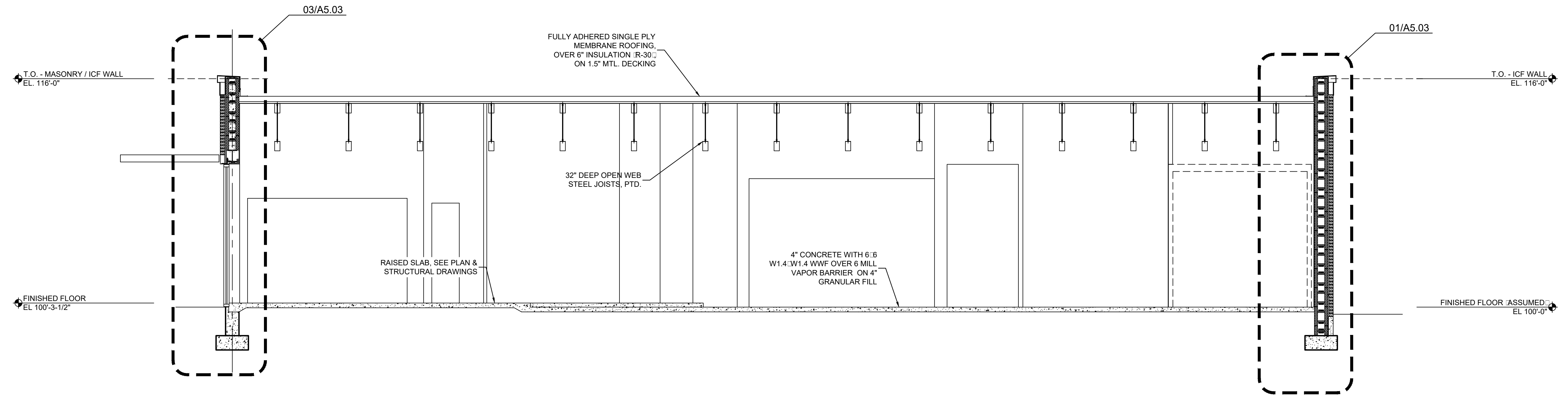
GRAPHIC GENERAL NOTES

- DETERMINE ALL GRAPHIC APPLICATIONS BY USING FIELD DIMENSIONS ONLY.
- NO GRAPHIC SUBSTITUTIONS ARE ALLOWED WITHOUT PARAGON SOLUTIONS OR OWNERS CONSENT.
- REVIEW ALL FINAL PRODUCTION DRAWINGS WITH PARAGON SOLUTIONS PRIOR TO PRODUCTION.
- PROVIDE INSTALLATION COSTS UNLESS OTHERWISE NOTED.

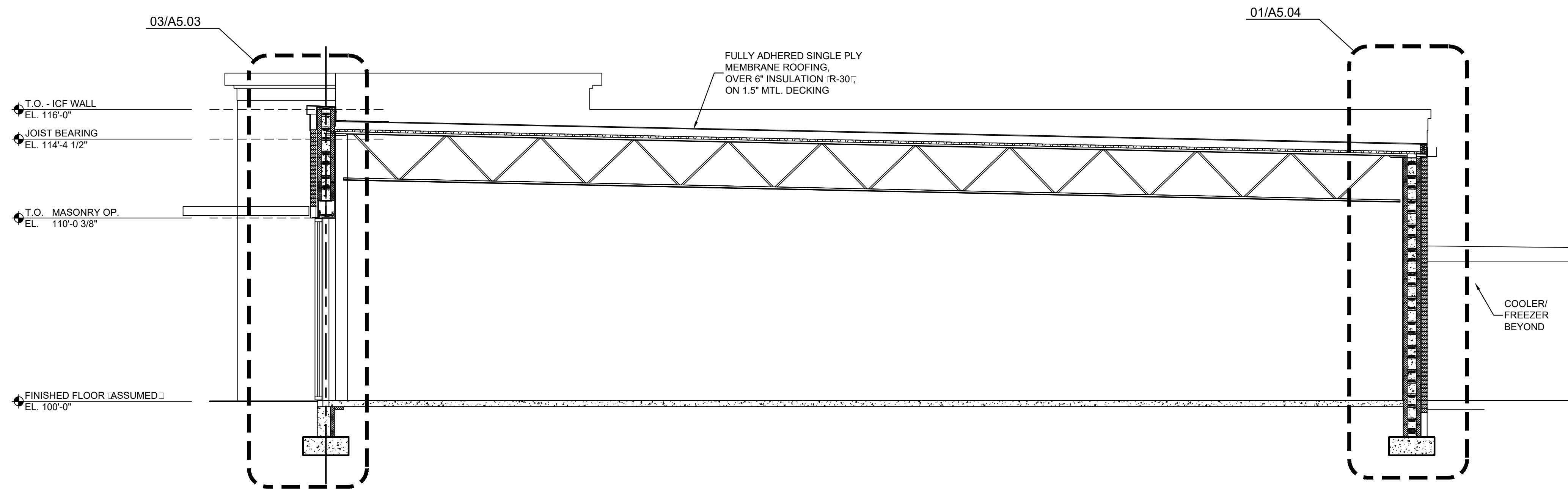


KEYES ARCHITECTS & ASSOCIATES
4717 PRESTON HIGHWAY
LOUISVILLE, KENTUCKY 40213 (502) 636-5113

FIVESTAR STORE #4950
NEWCOMB OIL CO., LLC.
38 DEAD READY LANE
LEBANON KY 40033



02 SECTION
SCALE: 1/4" = 1'-0"



01 SECTION
SCALE: 1/4" = 1'-0"



KEYES ARCHITECTS & ASSOCIATES
4717 PRESTON HIGHWAY
LOUISVILLE, KENTUCKY 40213 (502) 636-5113

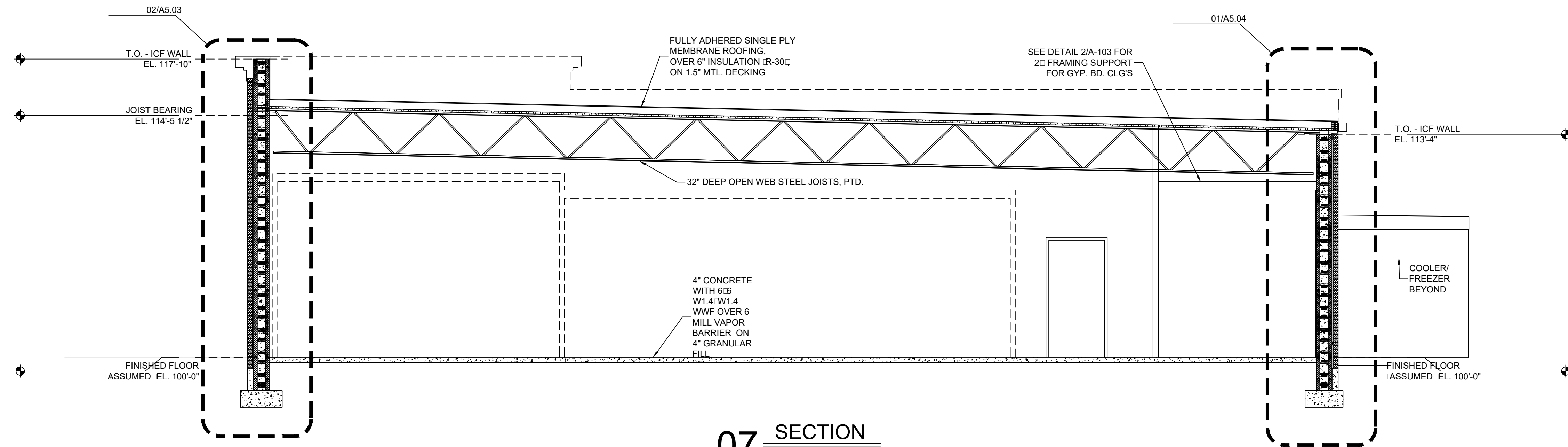
NEWCOMB OIL CO., LLC.
38 DEAD READY LANE
LEBANON, KY 40033

BUILDING SECTIONS

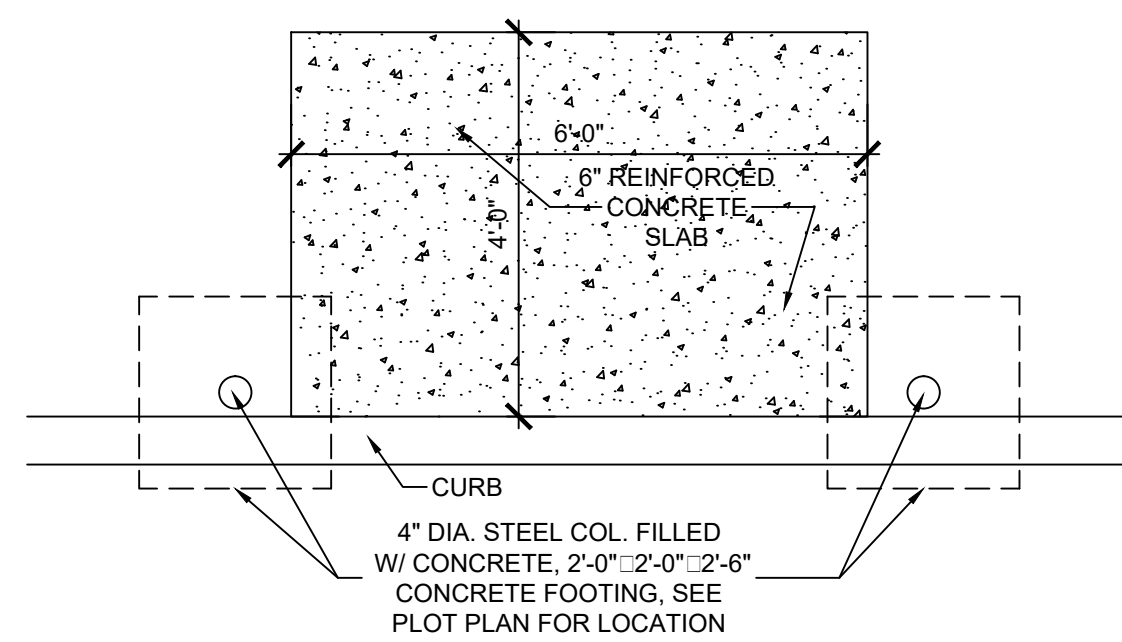
A5.01

Keyes Architects and Associates expressly reserves its common law copyright and other property rights in these documents. These documents are considered proprietary information and shall not be upgraded, changed or copied in any form or matter without our prior written permission and consent of Keyes Architects and Associates, 3005 Tay or Boulevard, Louisville, Kentucky 40208

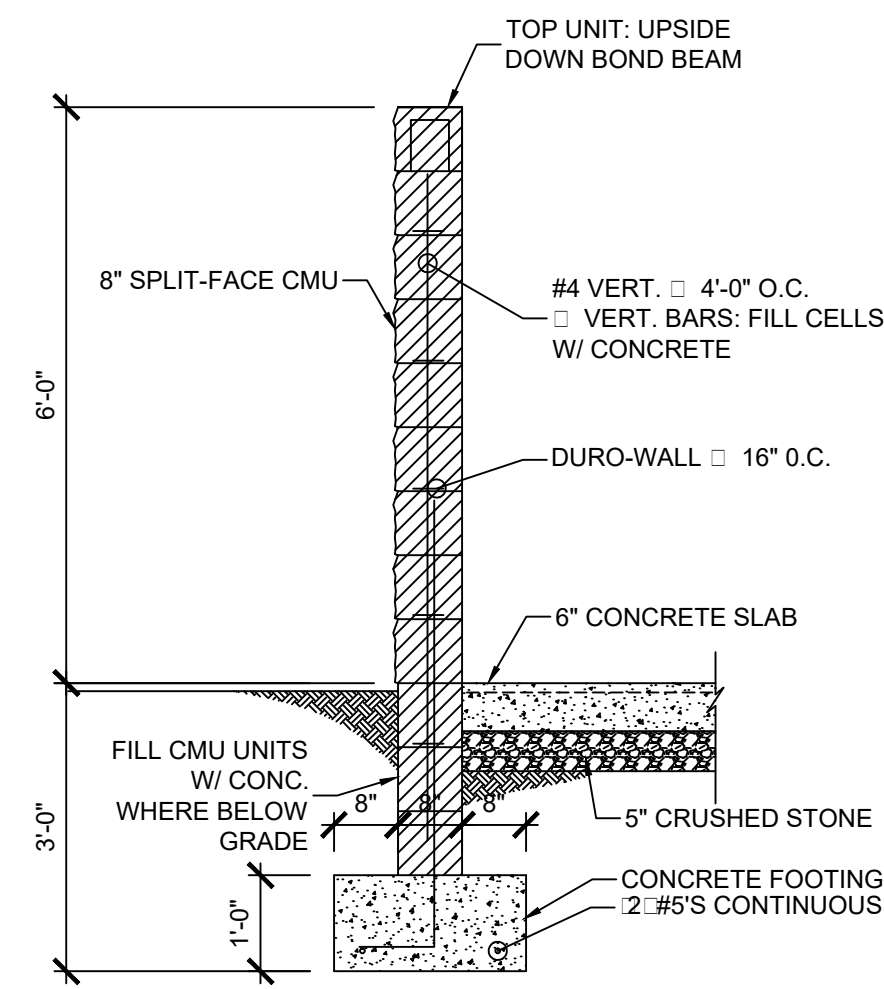
PROJECT: NEWCOMB OIL CO., LLC. - FILE: A5.01 Walls Sections and Details.dwg - DATE: Jan 25, 2021 9:39AM - BY: HAROLD CO.



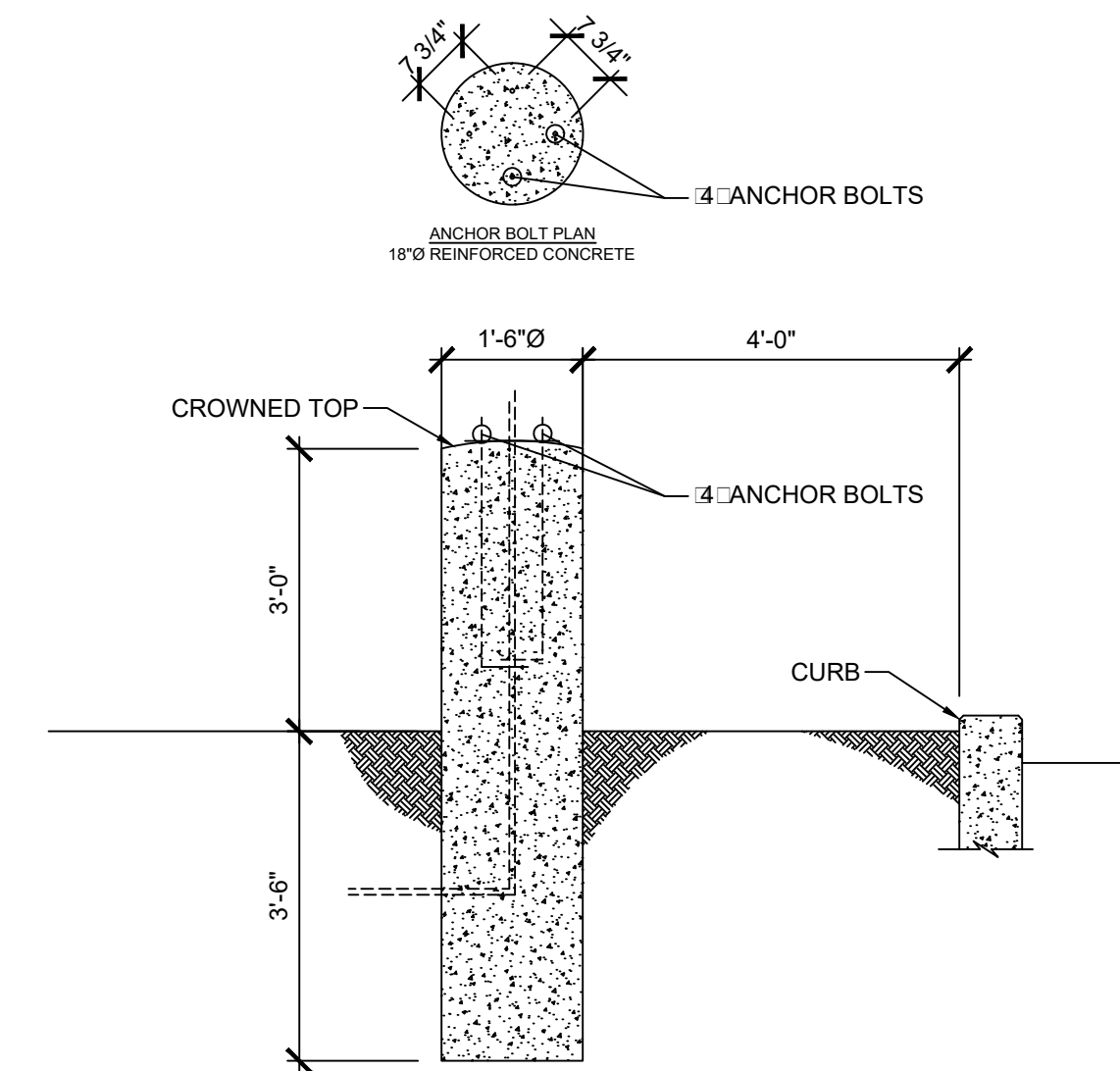
07 SECTION
SCALE: 1/4" = 1'-0"



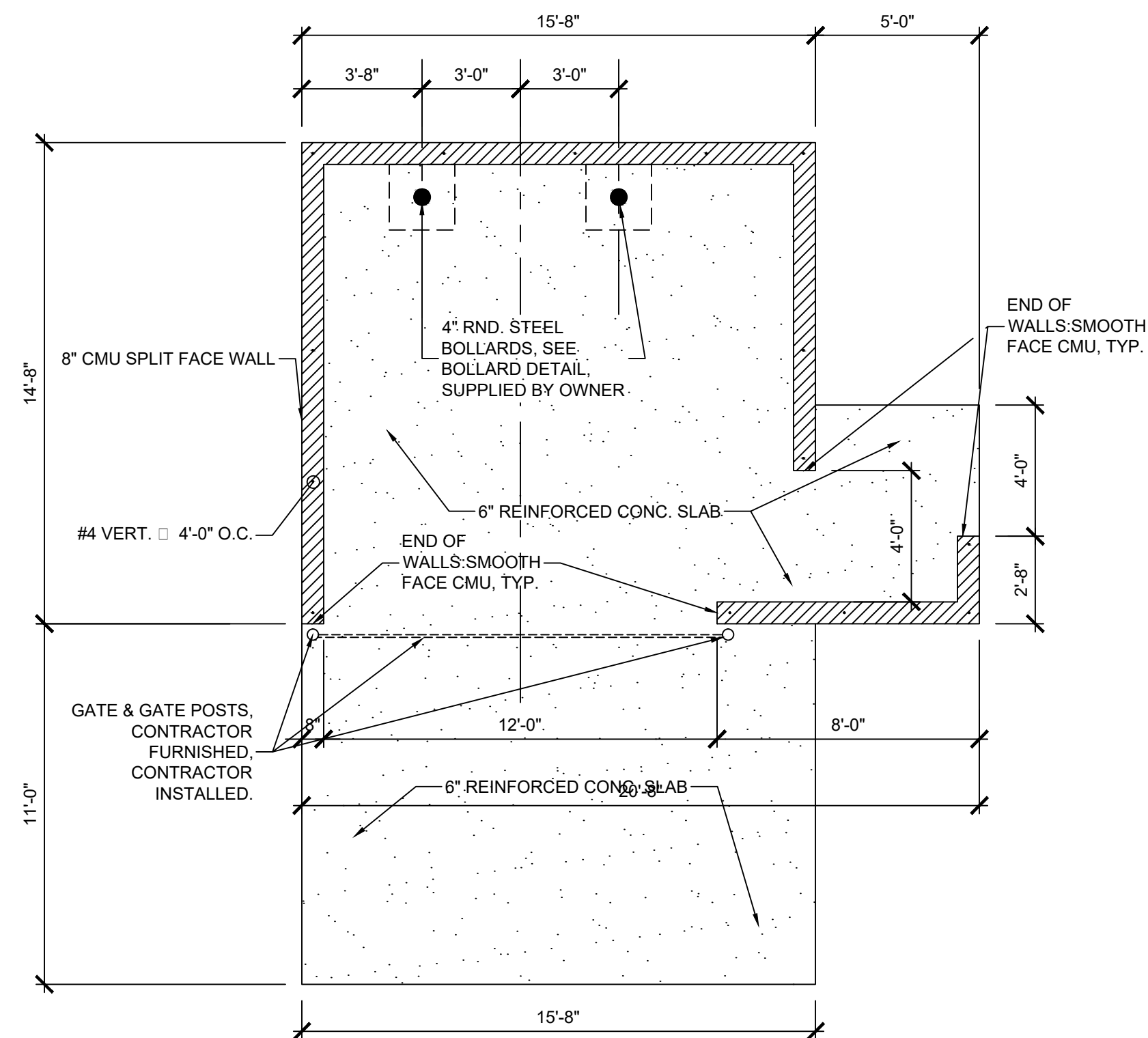
06 AIR & WATER CONC. PAD
SCALE: 1/2" = 1'-0"



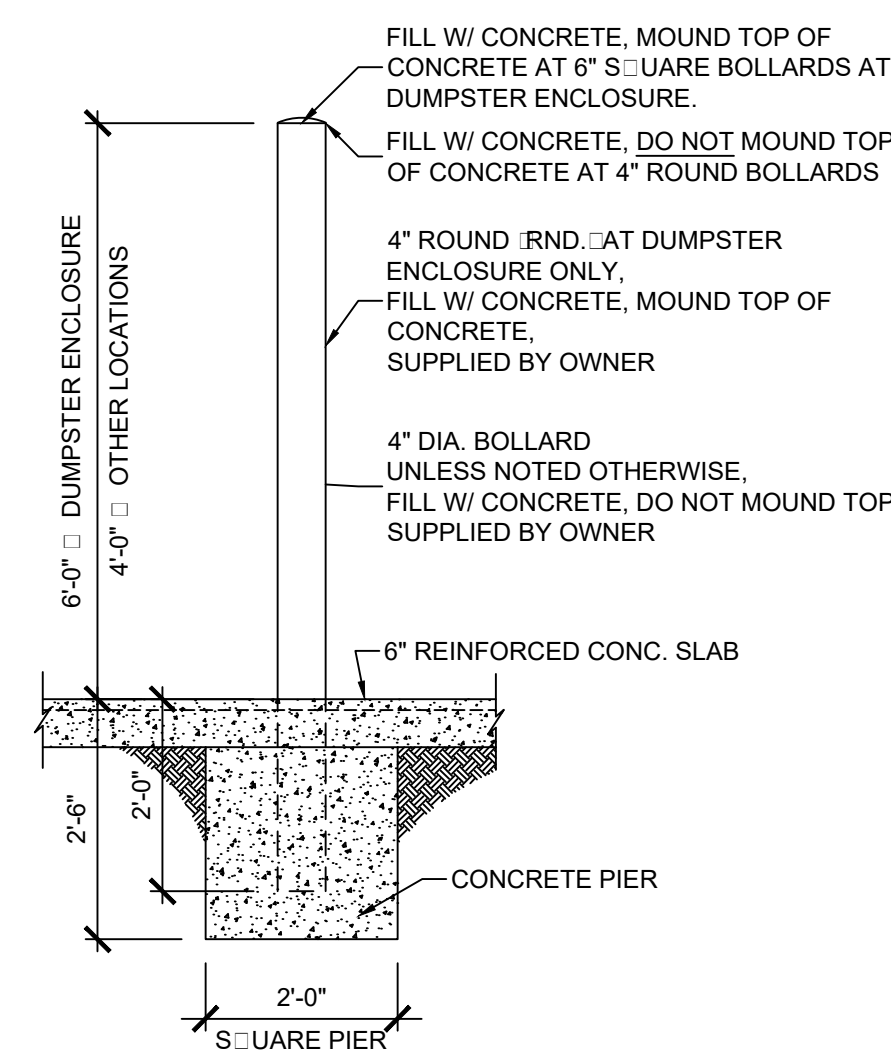
04 WALL SECTION - DUMPSTER ENCLOSURE
SCALE: 1/2" = 1'-0"



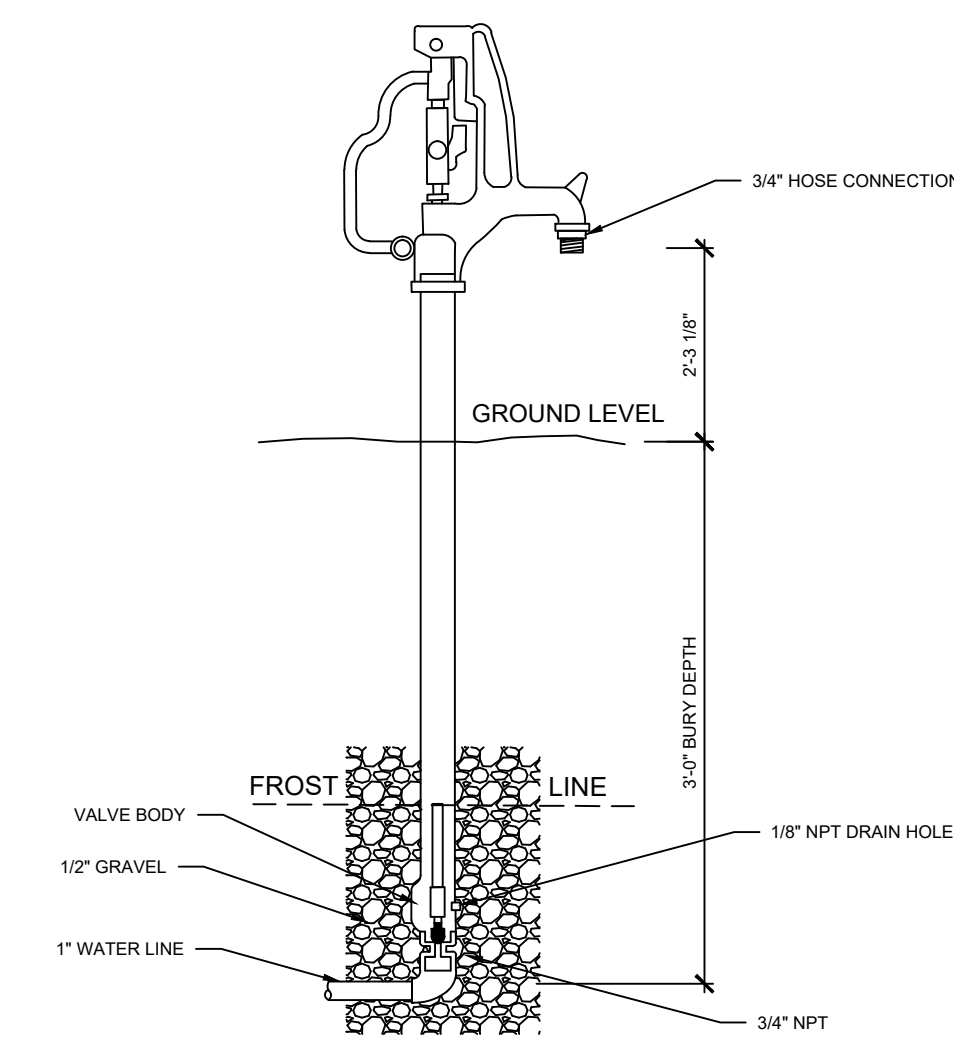
05 POLE LIGHT BASE
SCALE: 1/2" = 1'-0"



01 PLAN-DUMPSTER ENCLOSURE
SCALE: 3/4" = 1'-0"

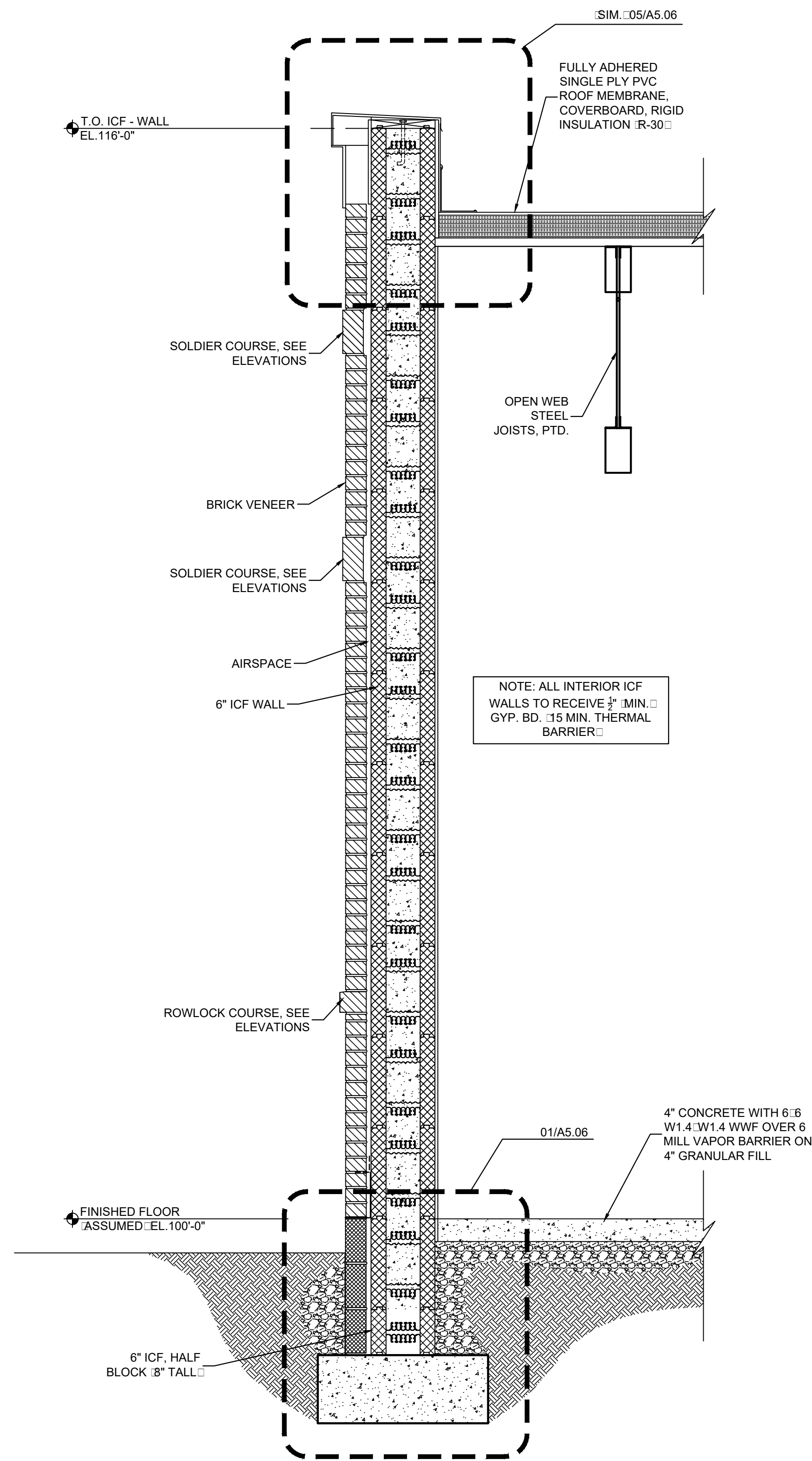


02 TYP. PIPE BOLLARD
SCALE: 1/2" = 1'-0"

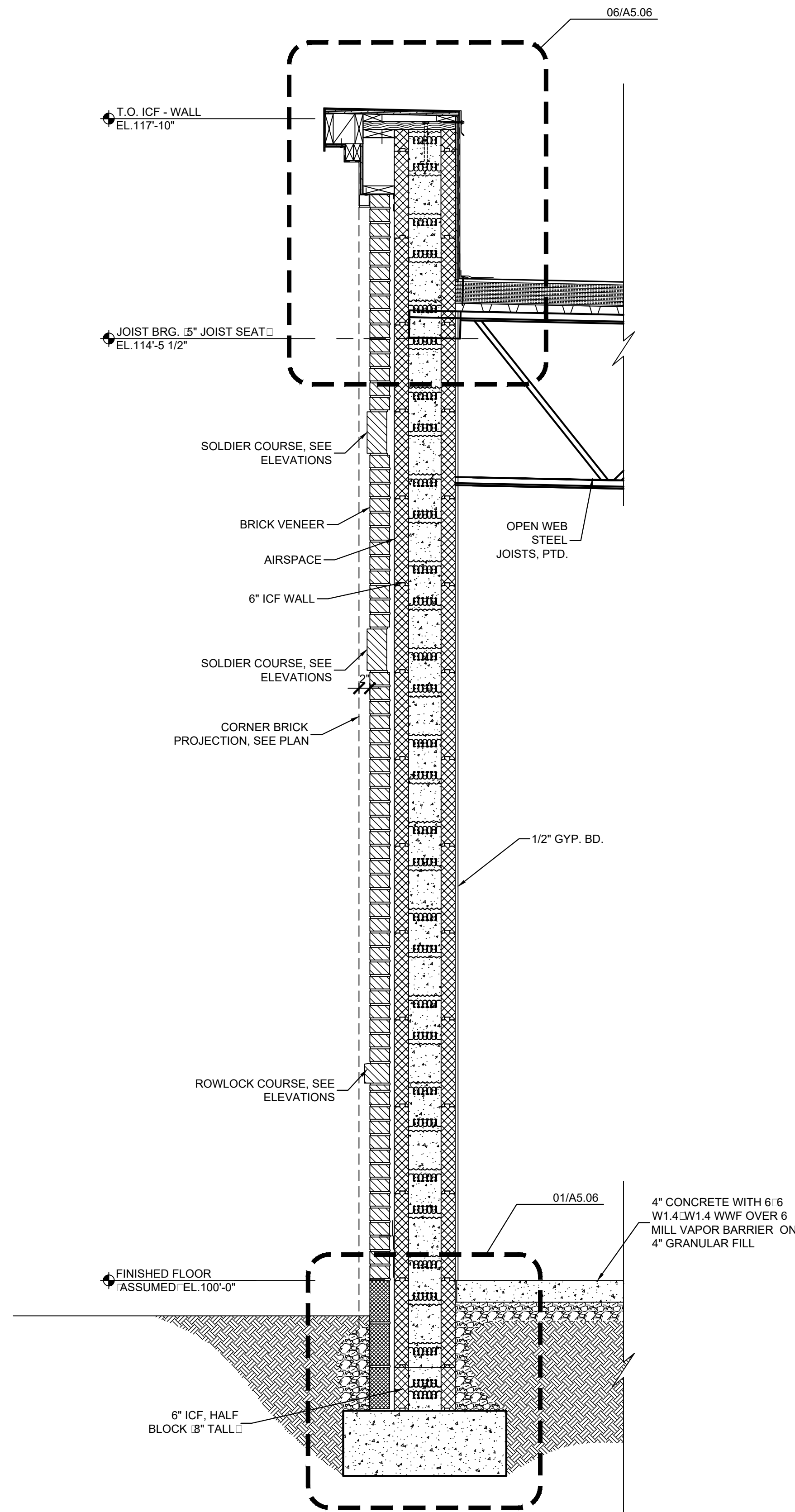


08 TYP. YARD SPIGOT
SCALE: 1/2" = 1'-0"

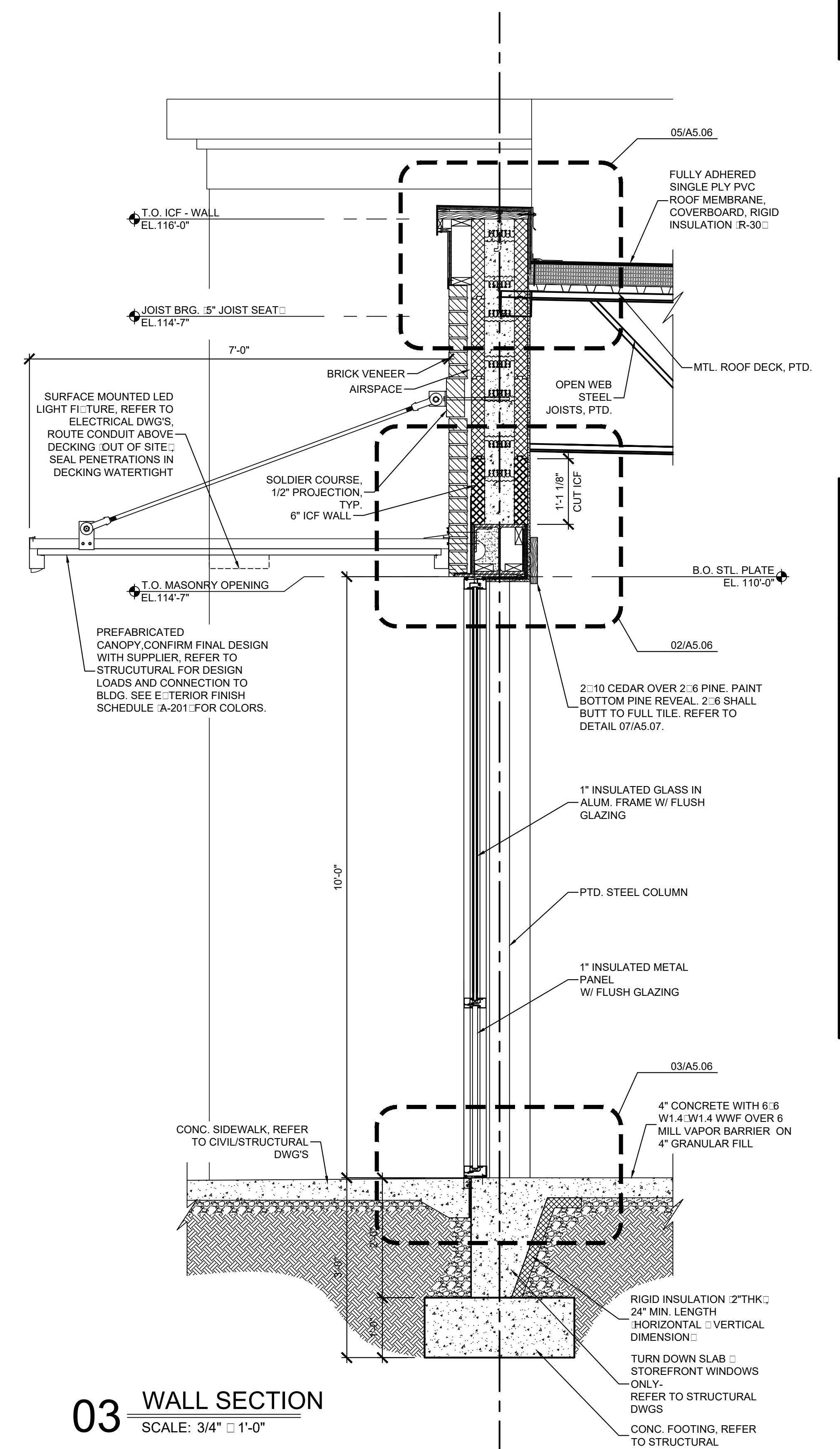




01 WALL SECTION
SCALE: 3/4" = 1'-0"



02 WALL SECTION
SCALE: 3/4" = 1'-0"



03 WALL SECTION
SCALE: 3/4" = 1'-0"

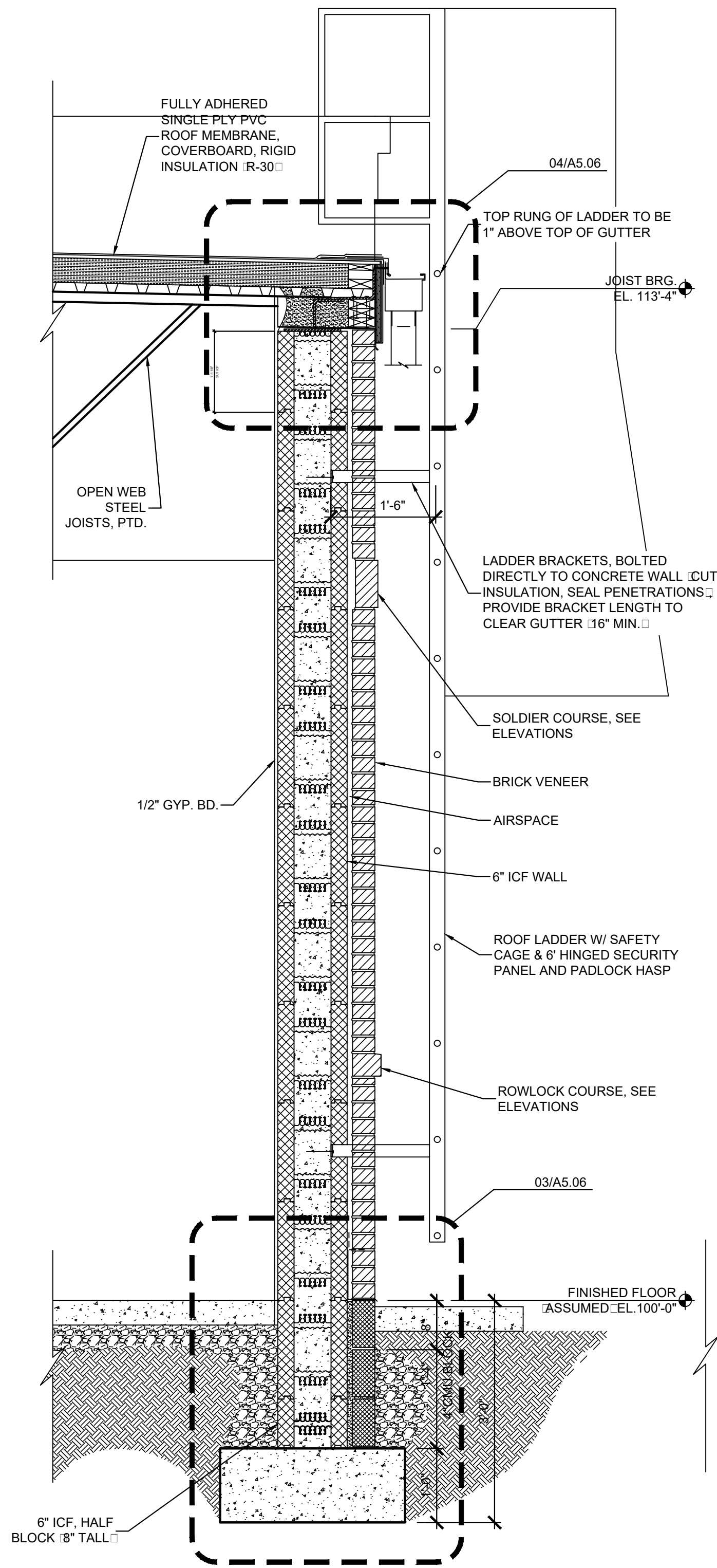


KEYES ARCHITECTS & ASSOCIATES
4717 PRESTON HIGHWAY
LOUISVILLE, KENTUCKY 40213 (502) 636-5113

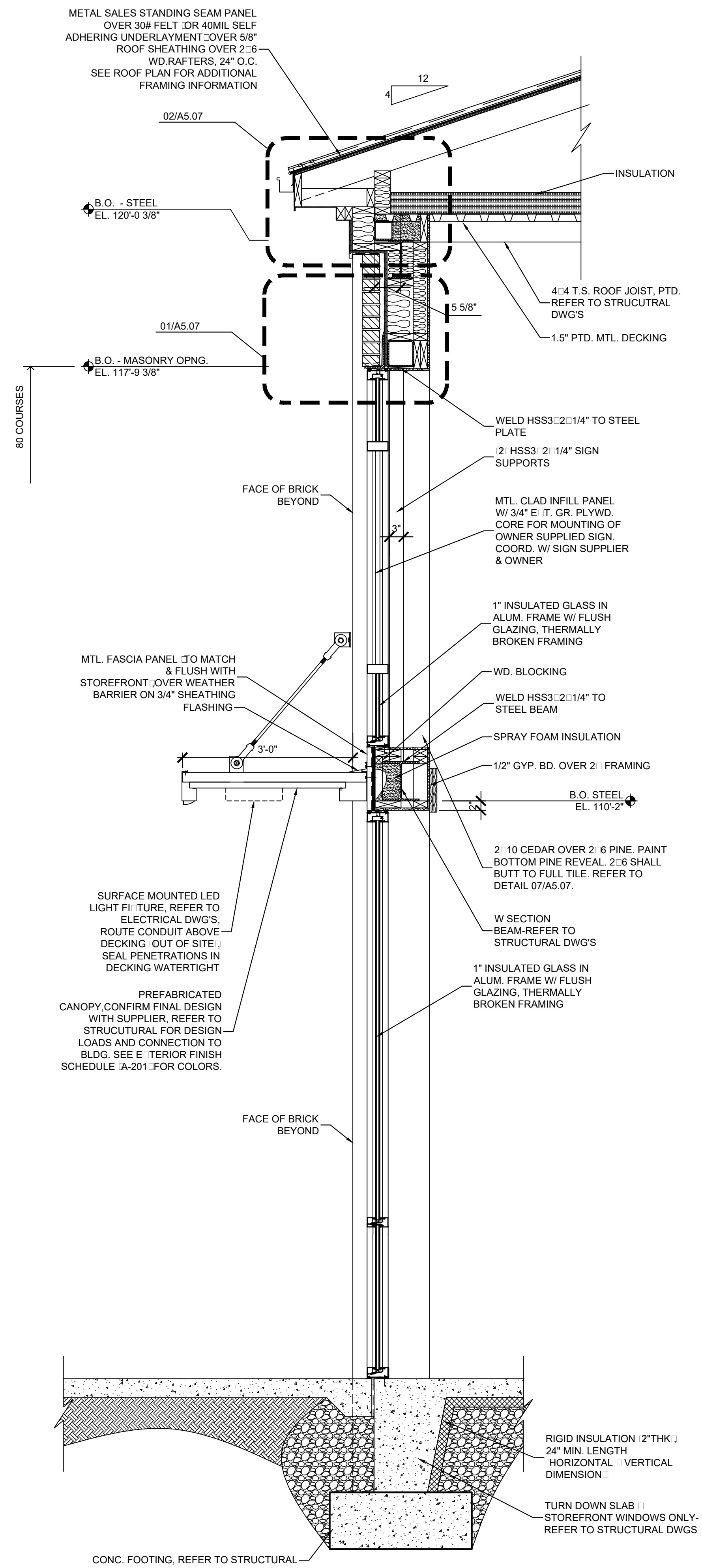
NEWCOMB OIL CO., LLC.
FIVESTAR STORE #4950
38 DEAD READY LANE
LEBANON, KY 40033

Keyes Architects and Associates expressly reserves its common law copyright and other property rights in these documents. These documents are considered proprietary information and shall not be upgraded, changed or copied in any form or matter without the express written permission and consent of Keyes Architects and Associates, 3005 Tay or Boulevard, Louisville, Kentucky 40208

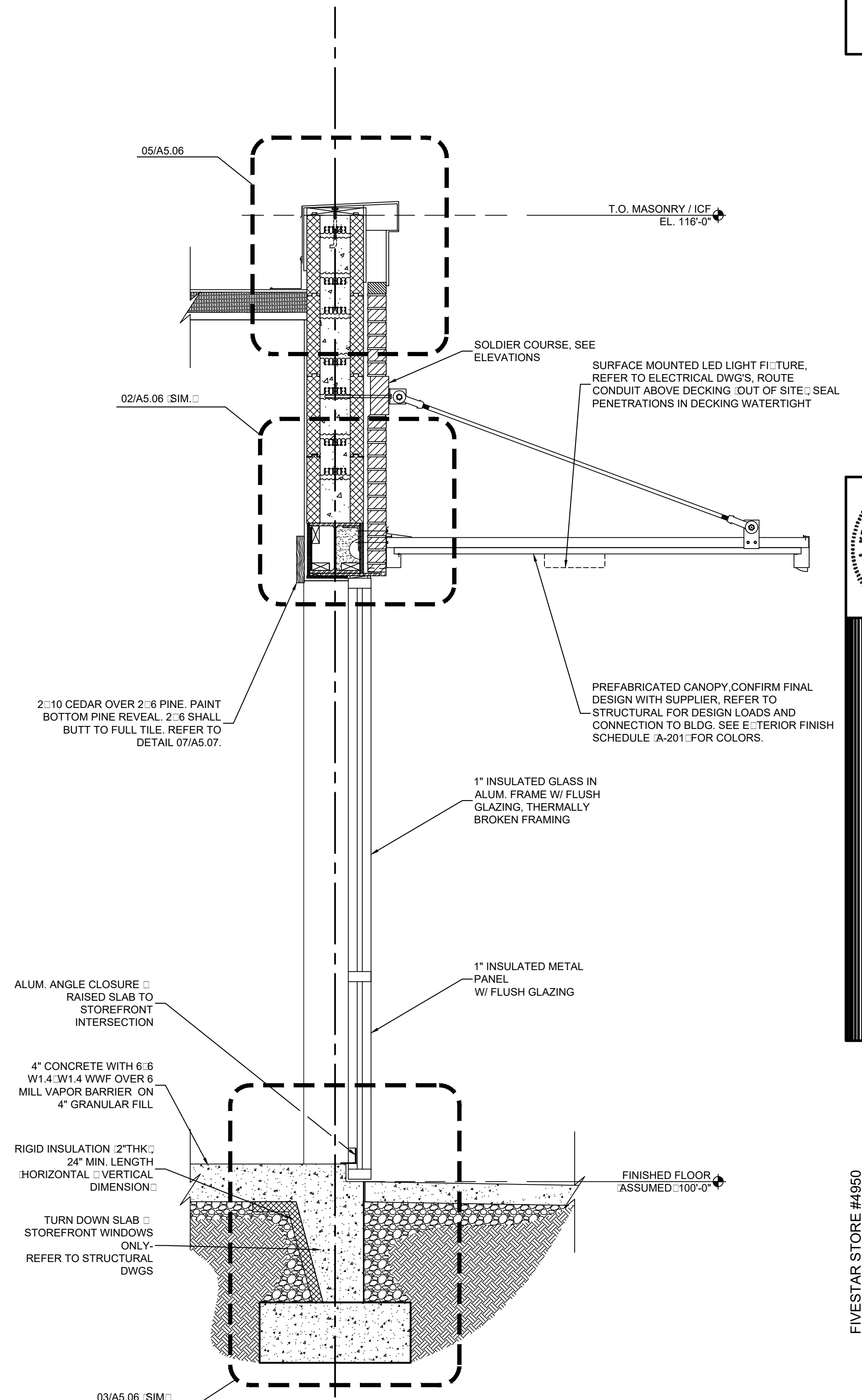
WALL SECTIONS & DETAILS
A5.03



01 WALL SECTION
SCALE: 3/4" = 1'-0"



02 WALL SECTION
SCALE: 3/4" = 1'-0"



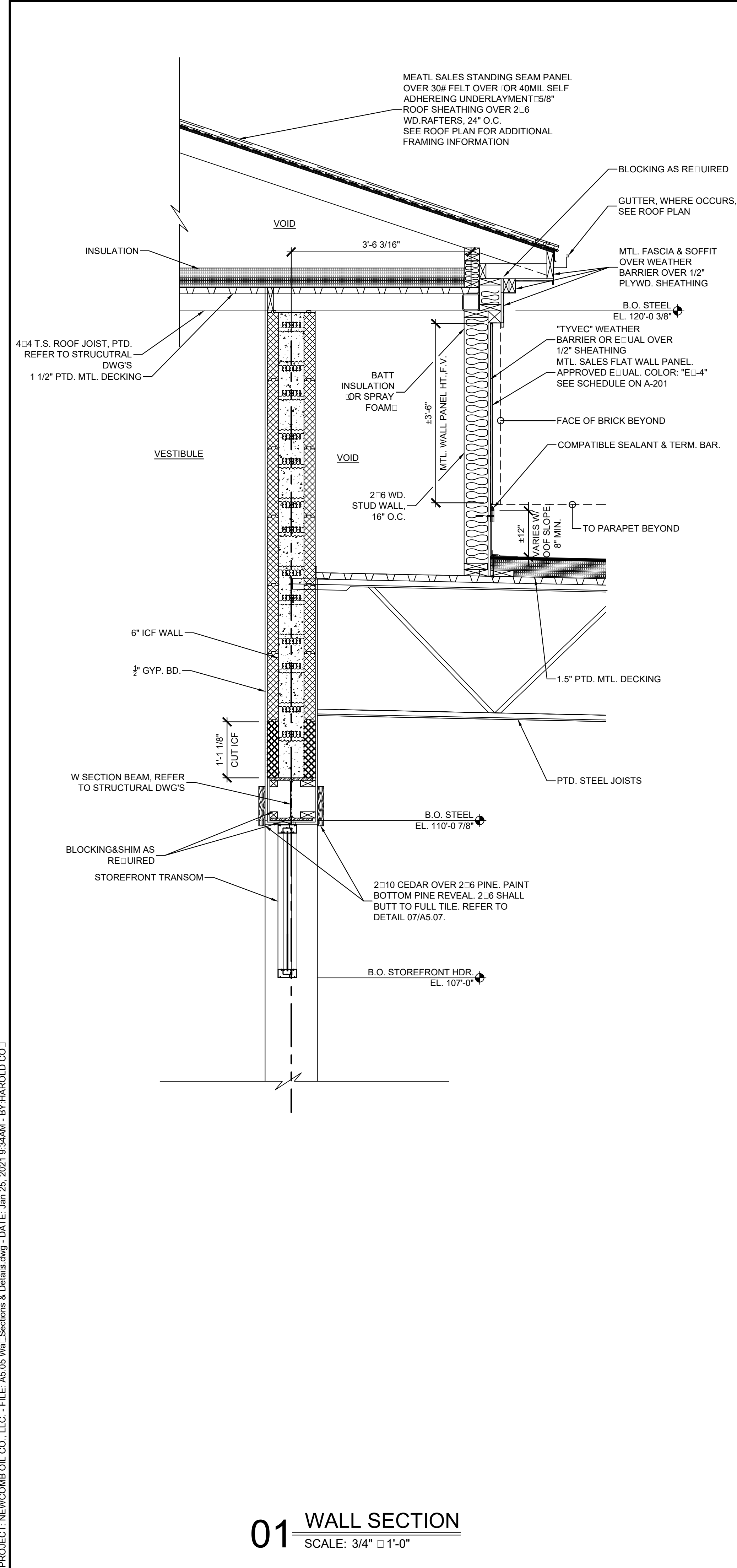
03 WALL SECTION
SCALE: 3/4" = 1'-0"

Keyes Architects and Associates expressly reserves its common law copyright and other property rights in these documents. These documents are considered proprietary information and shall not be upgraded, changed or copied in any form or matter without our prior written permission and consent of Keyes Architects and Associates, 3005 Tay or Boulevard, Louisville, Kentucky 40208

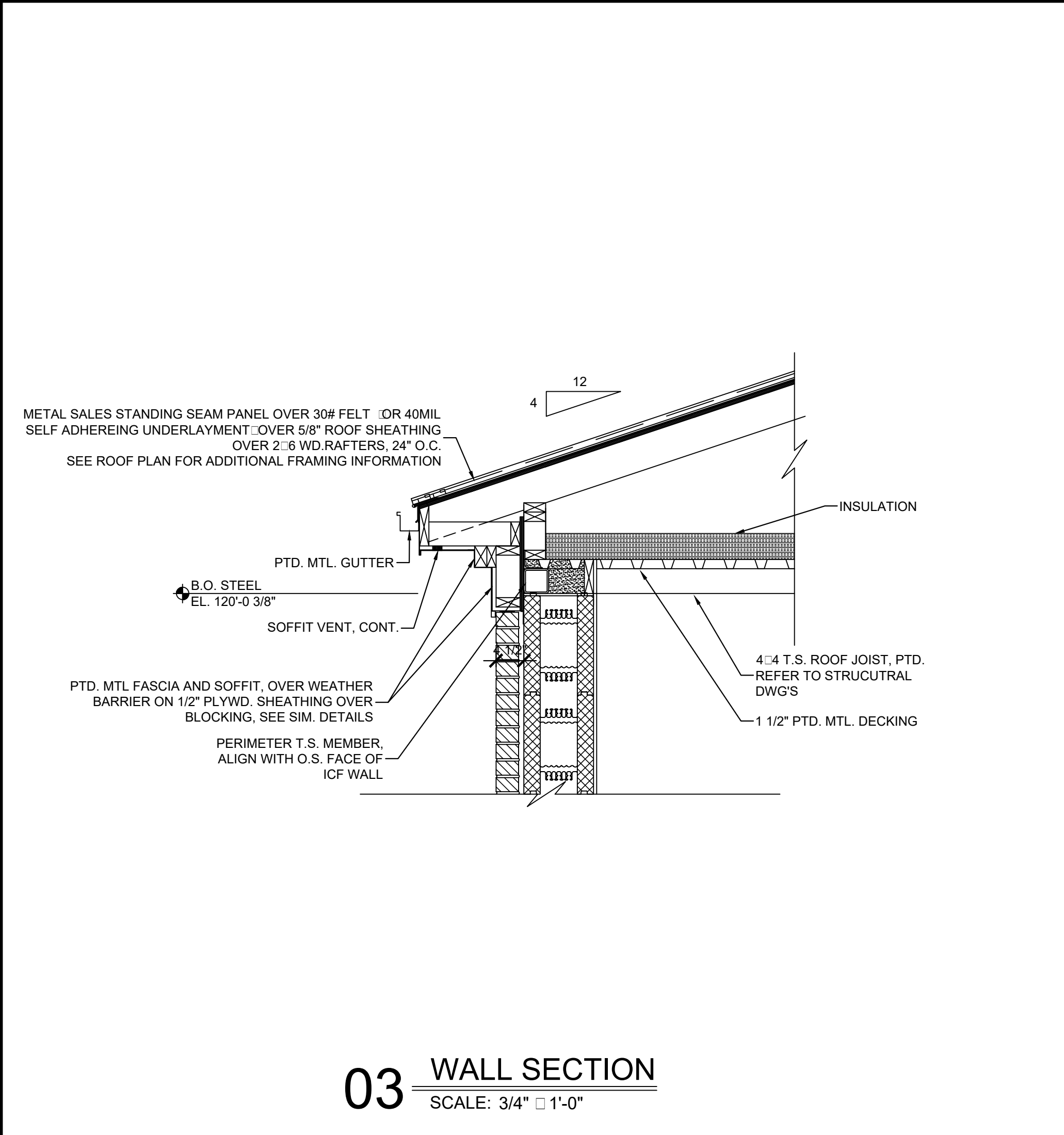


KEYES ARCHITECTS & ASSOCIATES
4717 PRESTON HIGHWAY
LOUISVILLE, KENTUCKY 40213 (502) 636-5113

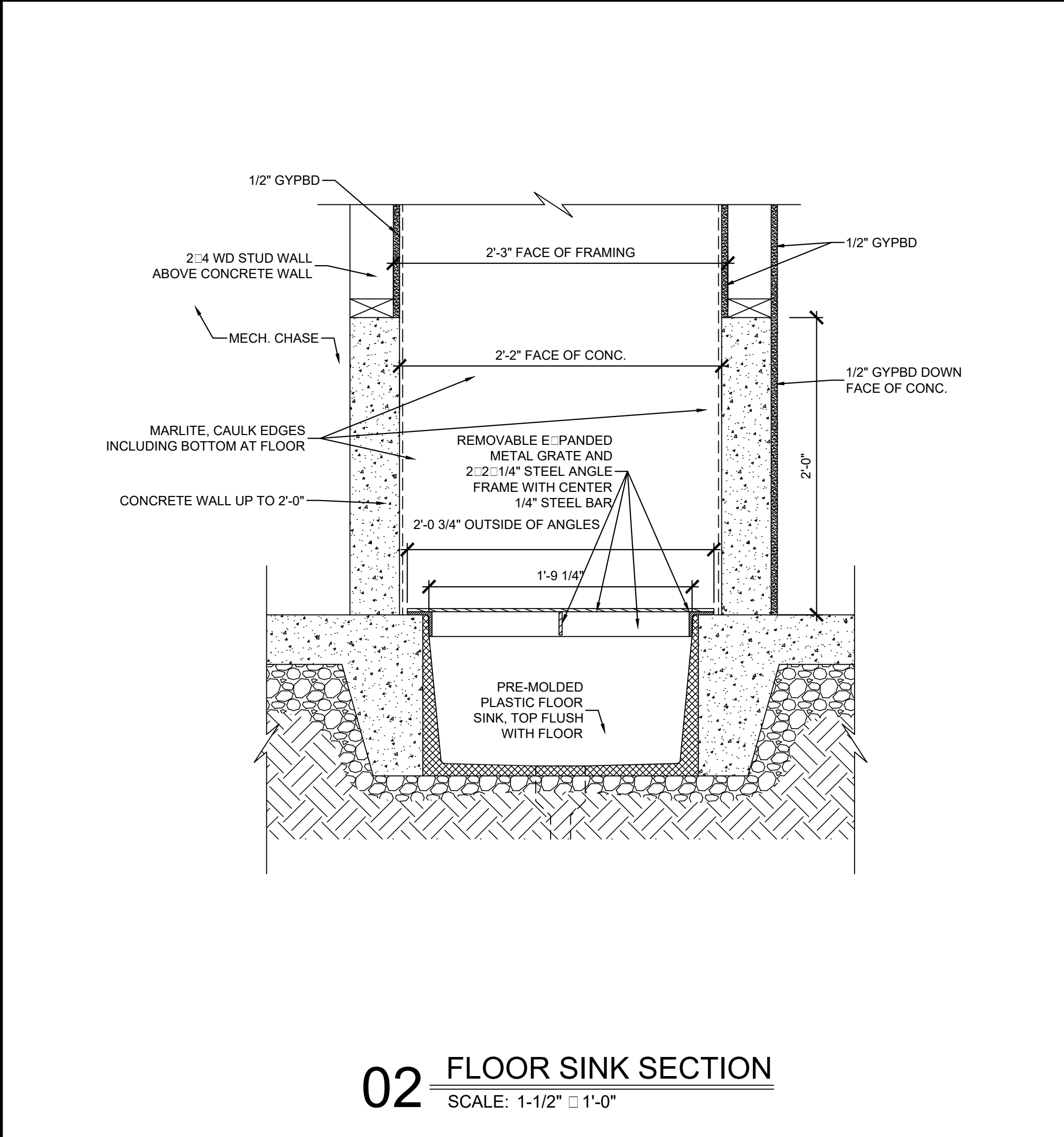
NEWCOMB OIL CO., LLC.
FIVESTAR STORE #4950
38 DEAD READY LANE
LEBANON, KY 40033



01 WALL SECTION
SCALE: 3/4" = 1'-0"



03 WALL SECTION
SCALE: 3/4" = 1'-0"



02 FLOOR SINK SECTION
SCALE: 1-1/2" = 1'-0"

PROJECT: NEWCOMB OIL CO., LLC. - FILE: A5.05 Walls - Sections & Details.dwg - DATE: Jan 25, 2021 9:44AM - BY: HAROLD CO.

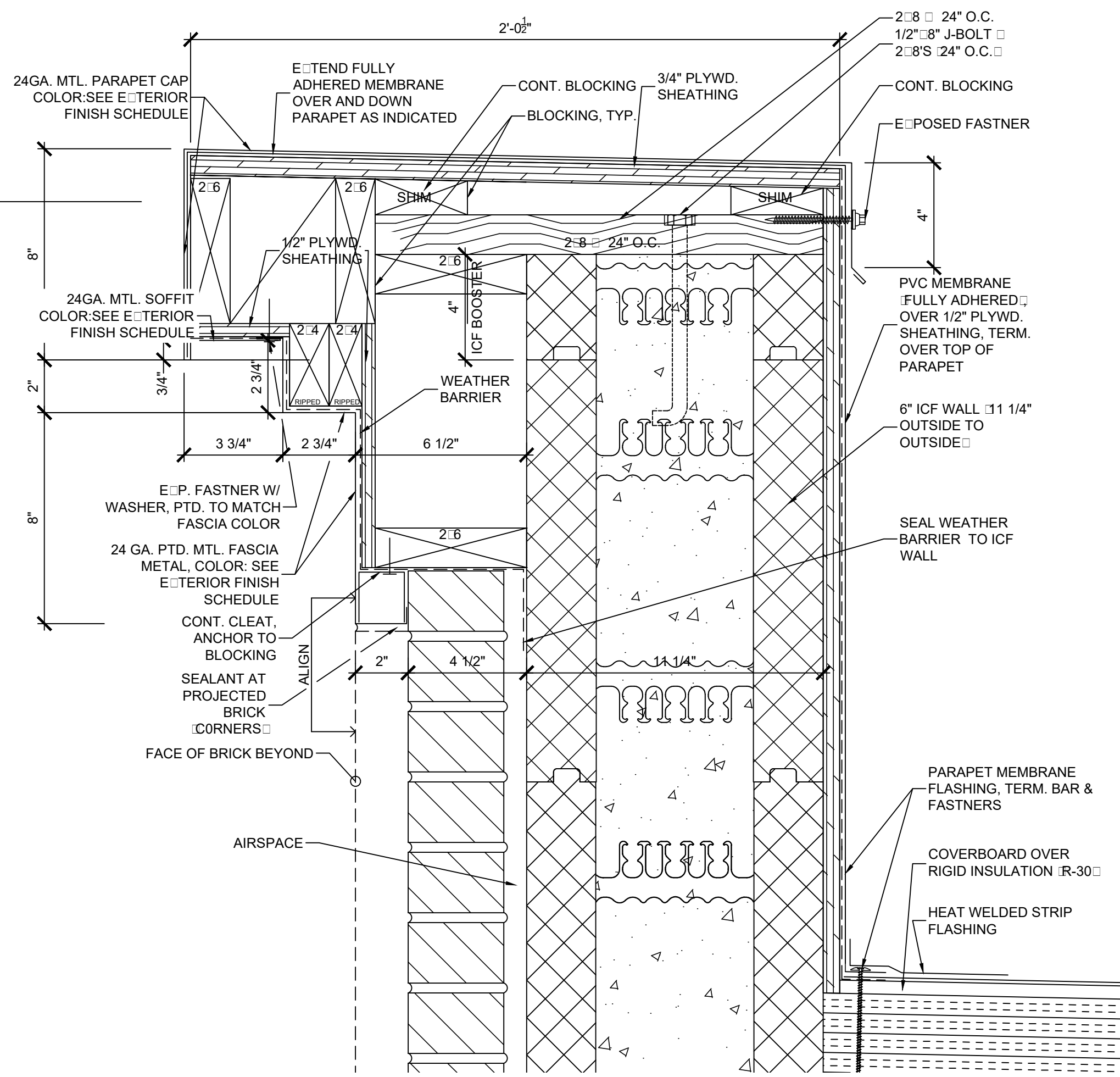


KEYES ARCHITECTS & ASSOCIATES
4717 PRESTON HIGHWAY
LOUISVILLE, KENTUCKY 40213 (502) 636-5113

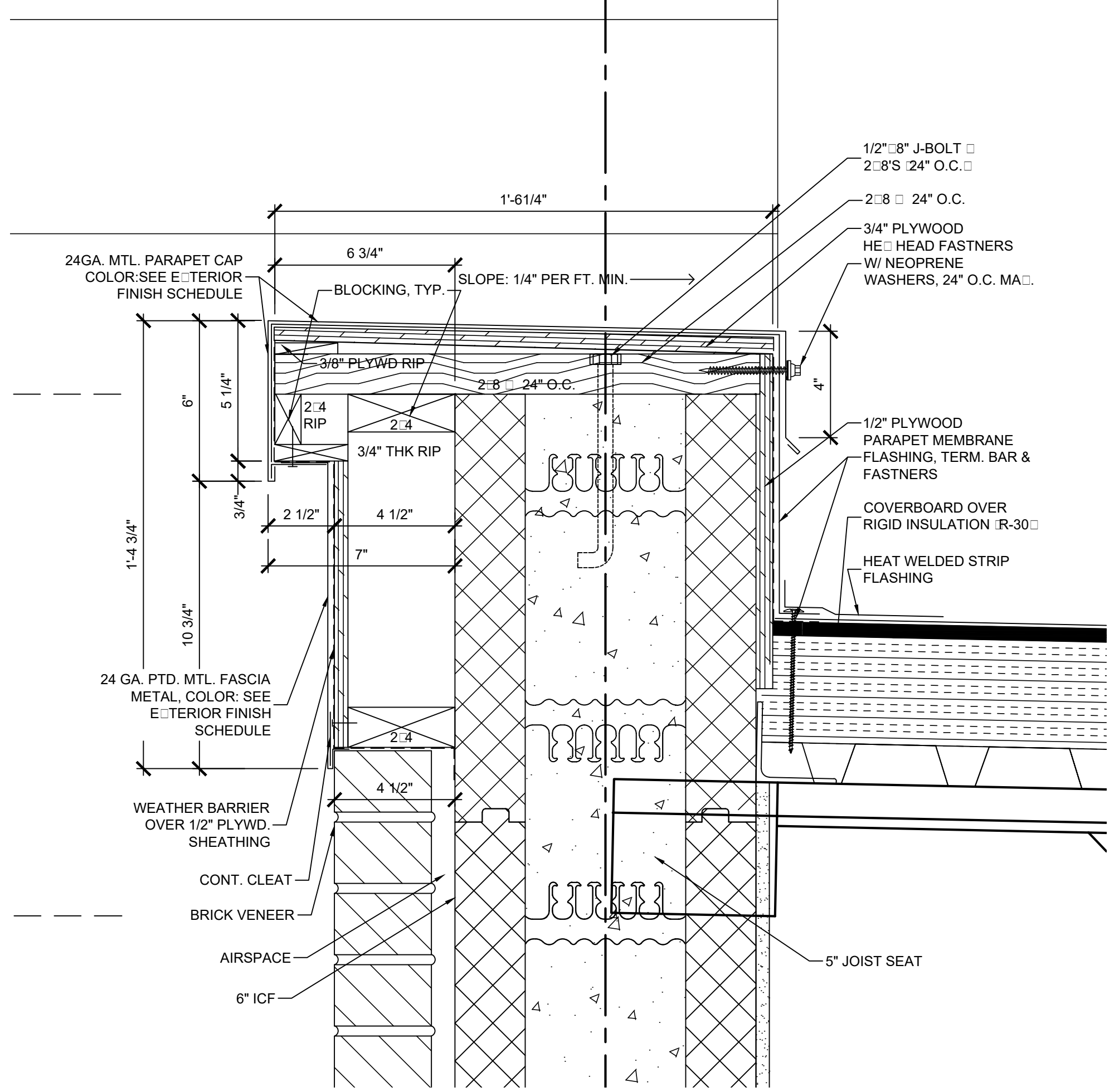
FIVESTAR STORE #4850
NEWCOMB OIL CO., LLC.
38 DEAD READY LANE
LEBANON, KY 40033

Keyes Architects and Associates expressly reserves its common law copyright and other property rights in these documents. These documents are considered proprietary information and shall not be upgraded, changed or copied in any form or matter without our prior written permission and consent of Keyes Architects and Associates, 3005 Tay or Boulevard, Louisville, Kentucky 40208

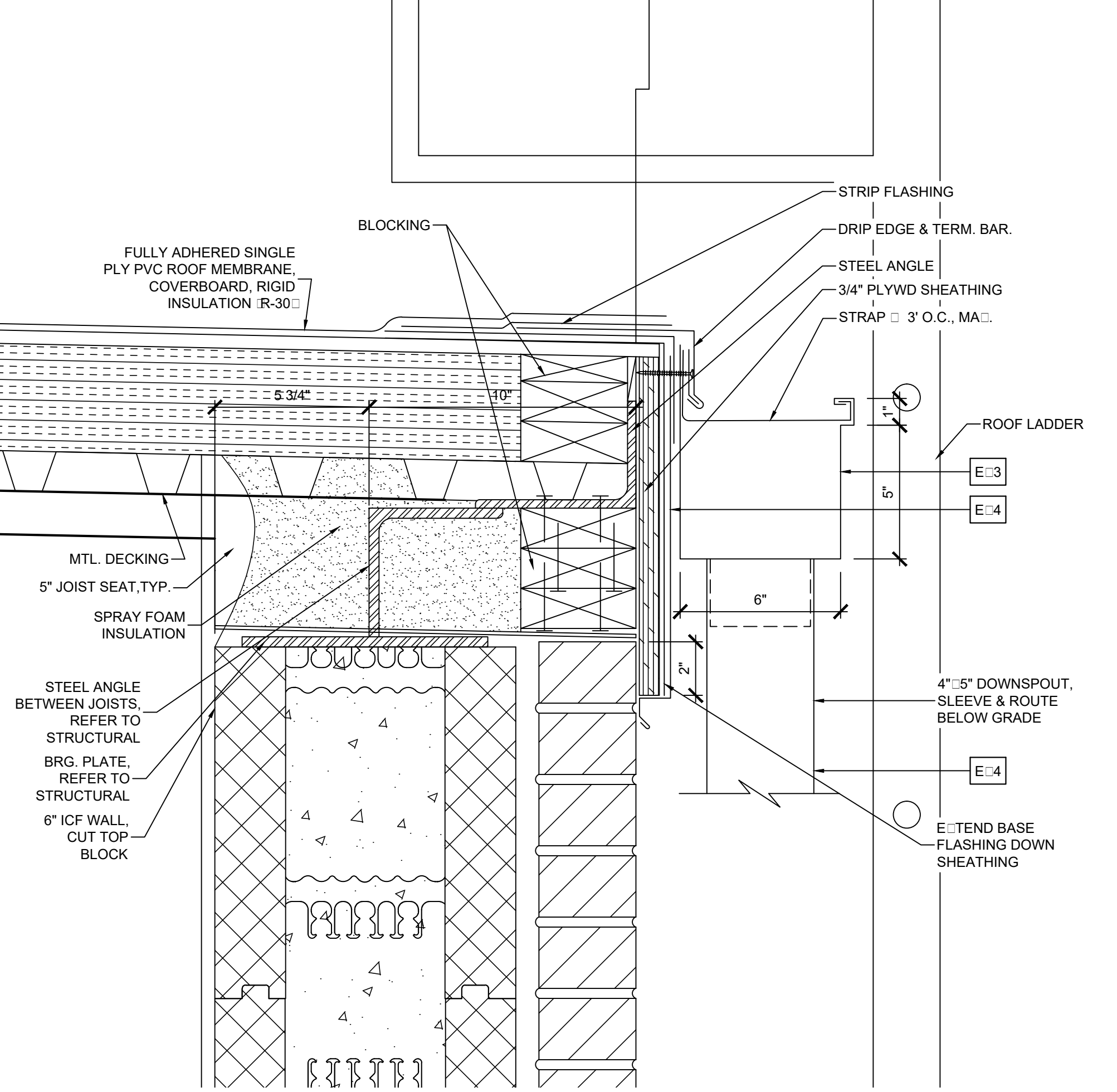
WALL SECTIONS & DETAILS
A5.05



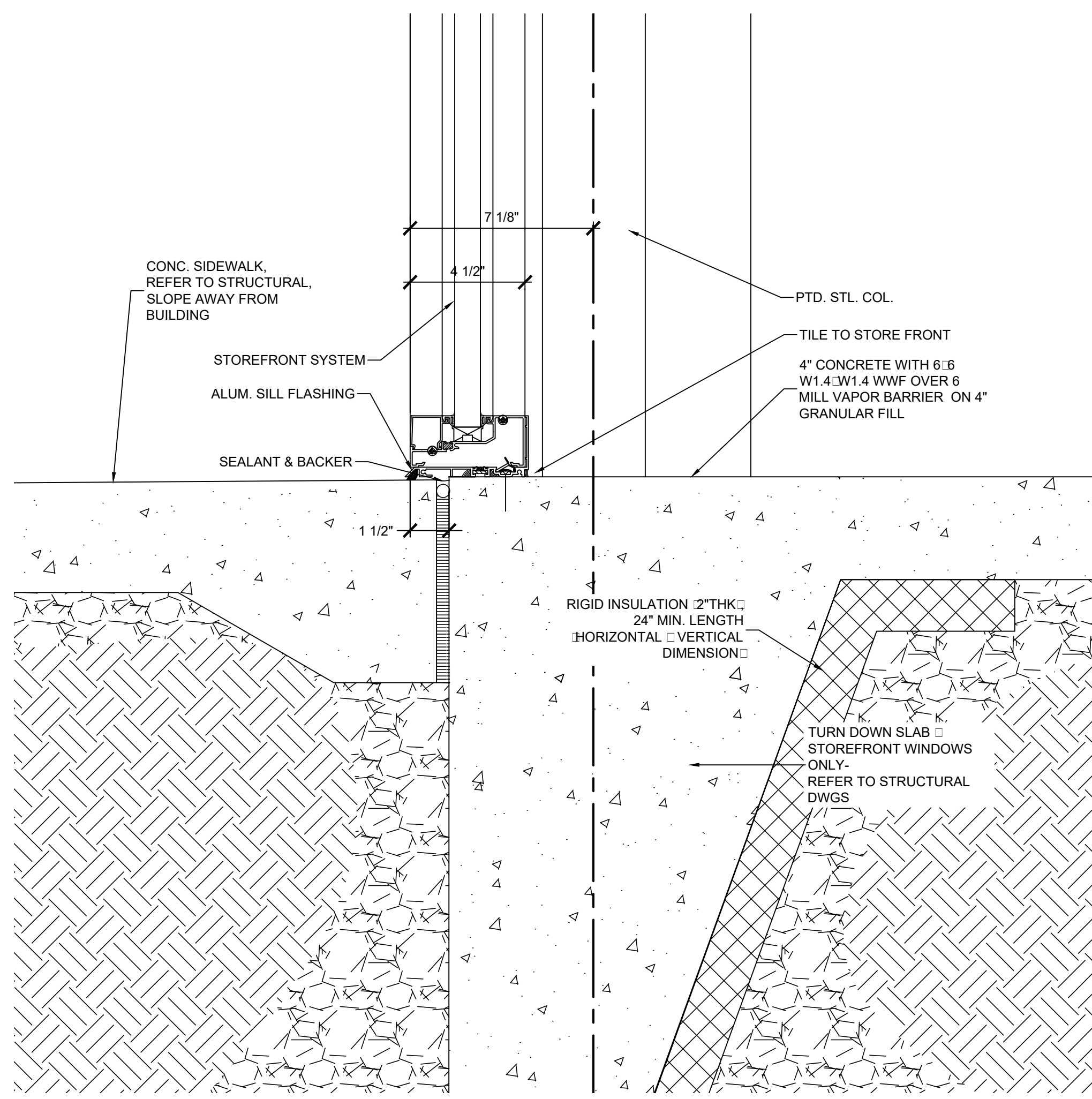
06 SECTION DETAIL
SCALE: 3" = 1'-0"



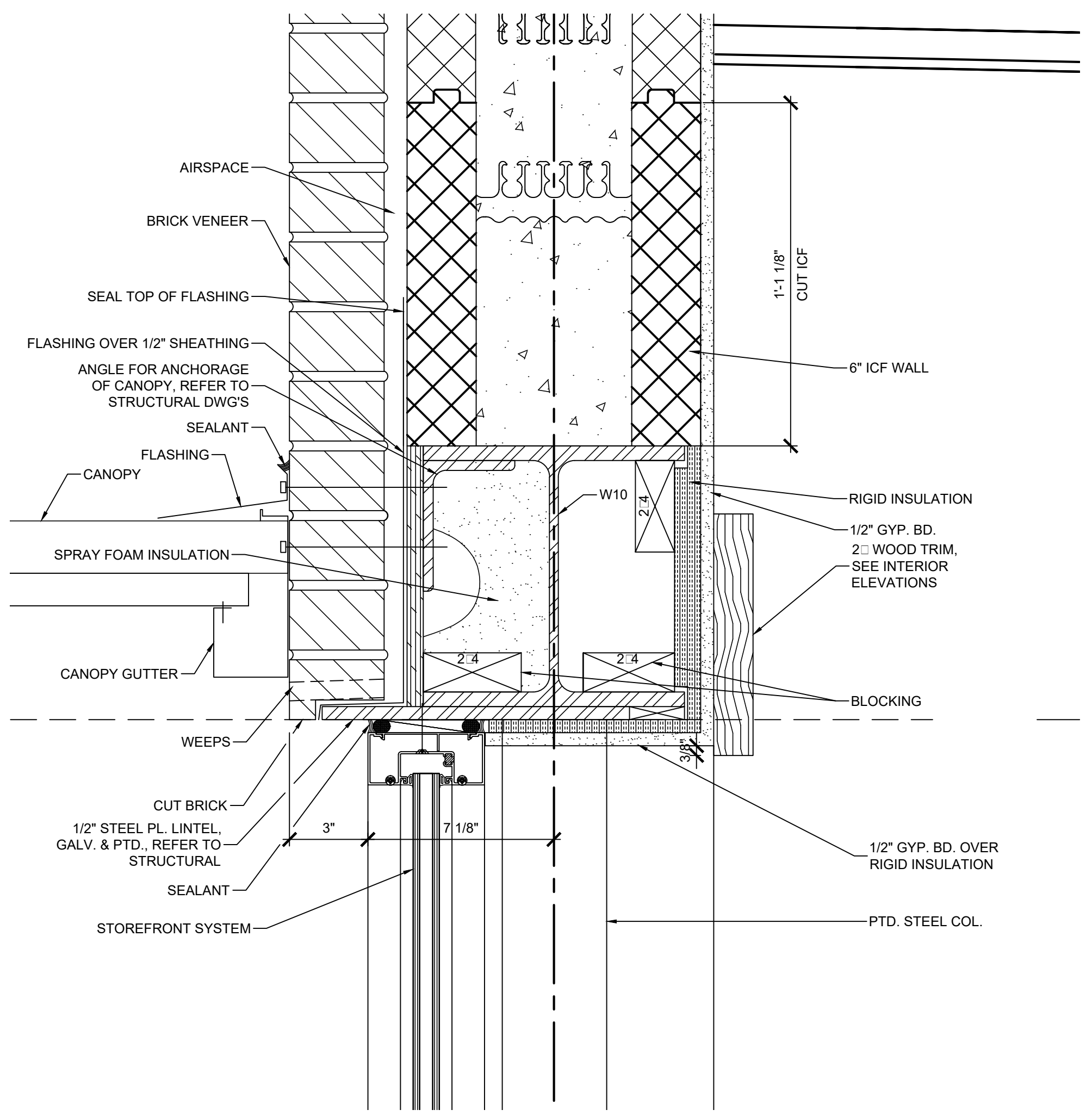
05 SECTION DETAIL
SCALE: 3" = 1'-0"



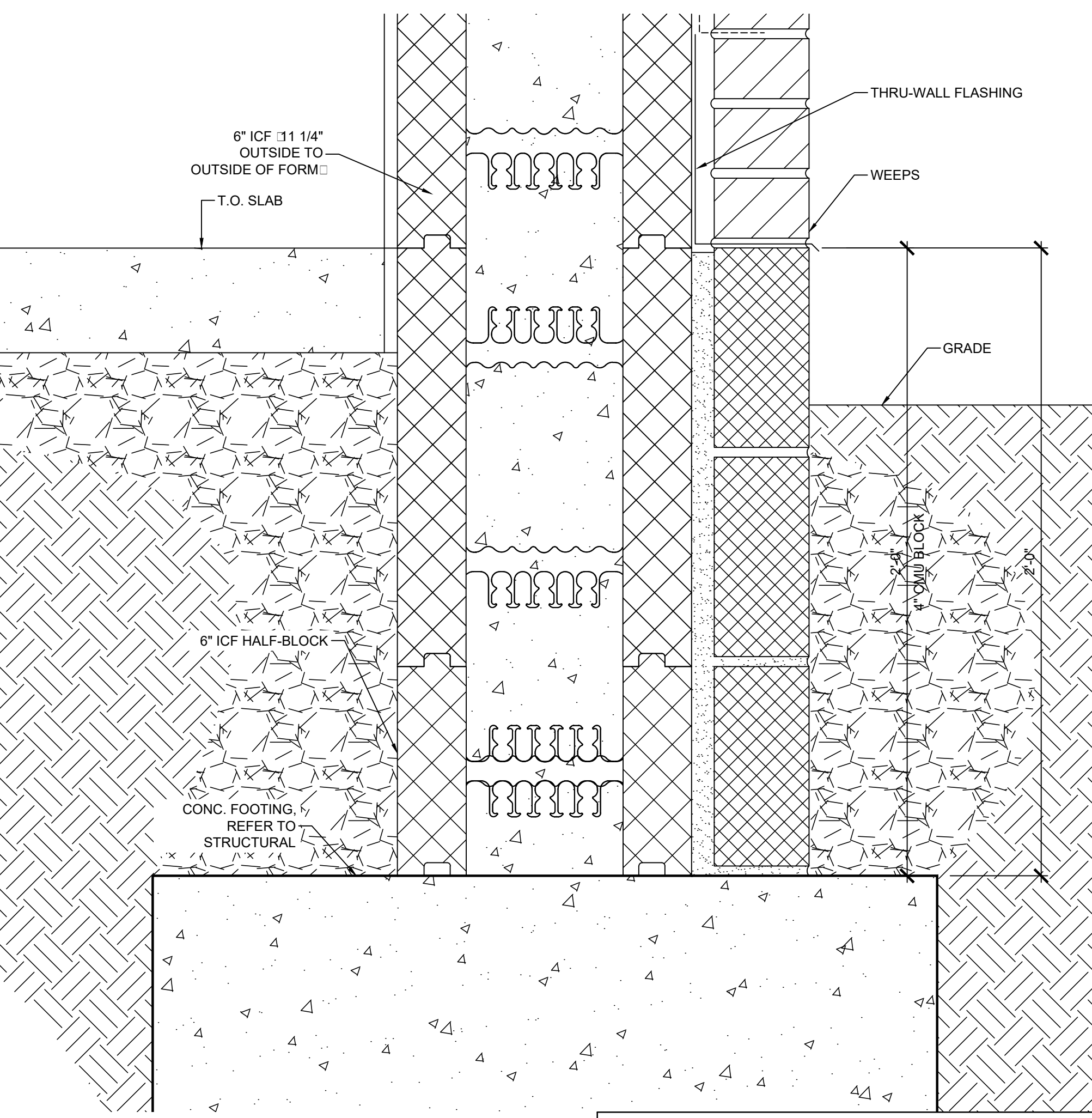
04 SECTION DETAIL
SCALE: 3" = 1'-0"



03 SECTION DETAIL
SCALE: 3" = 1'-0"



02 SECTION DETAIL
SCALE: 3" = 1'-0"



01 SECTION DETAIL
SCALE: 3" = 1'-0"

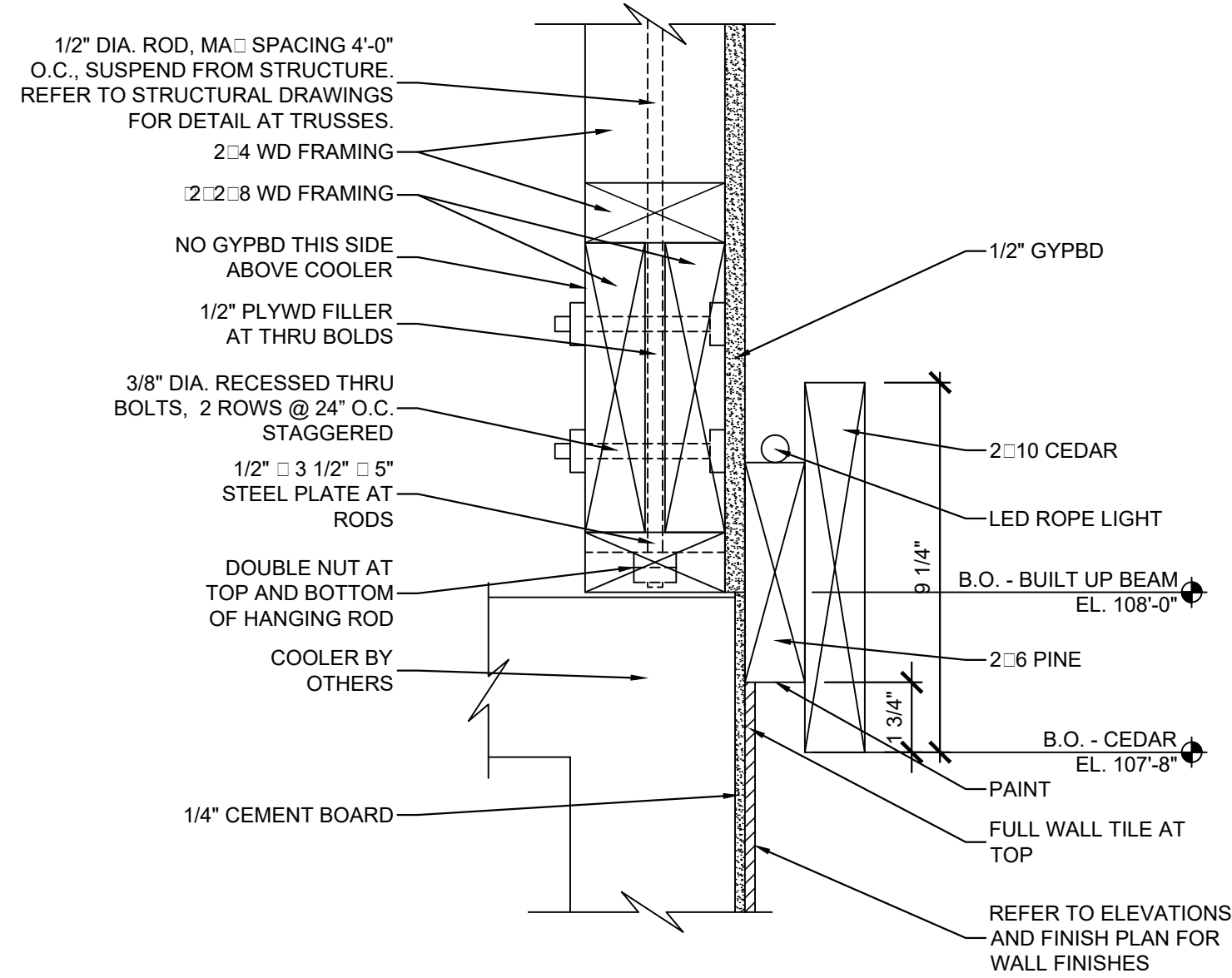
PROJECT: NEWCOMB OIL CO., LLC - FILE: A5.08 WALL SECTIONS & Details.dwg - DATE: Jan 25, 2021 9:54AM - BY: HAROLD CO.



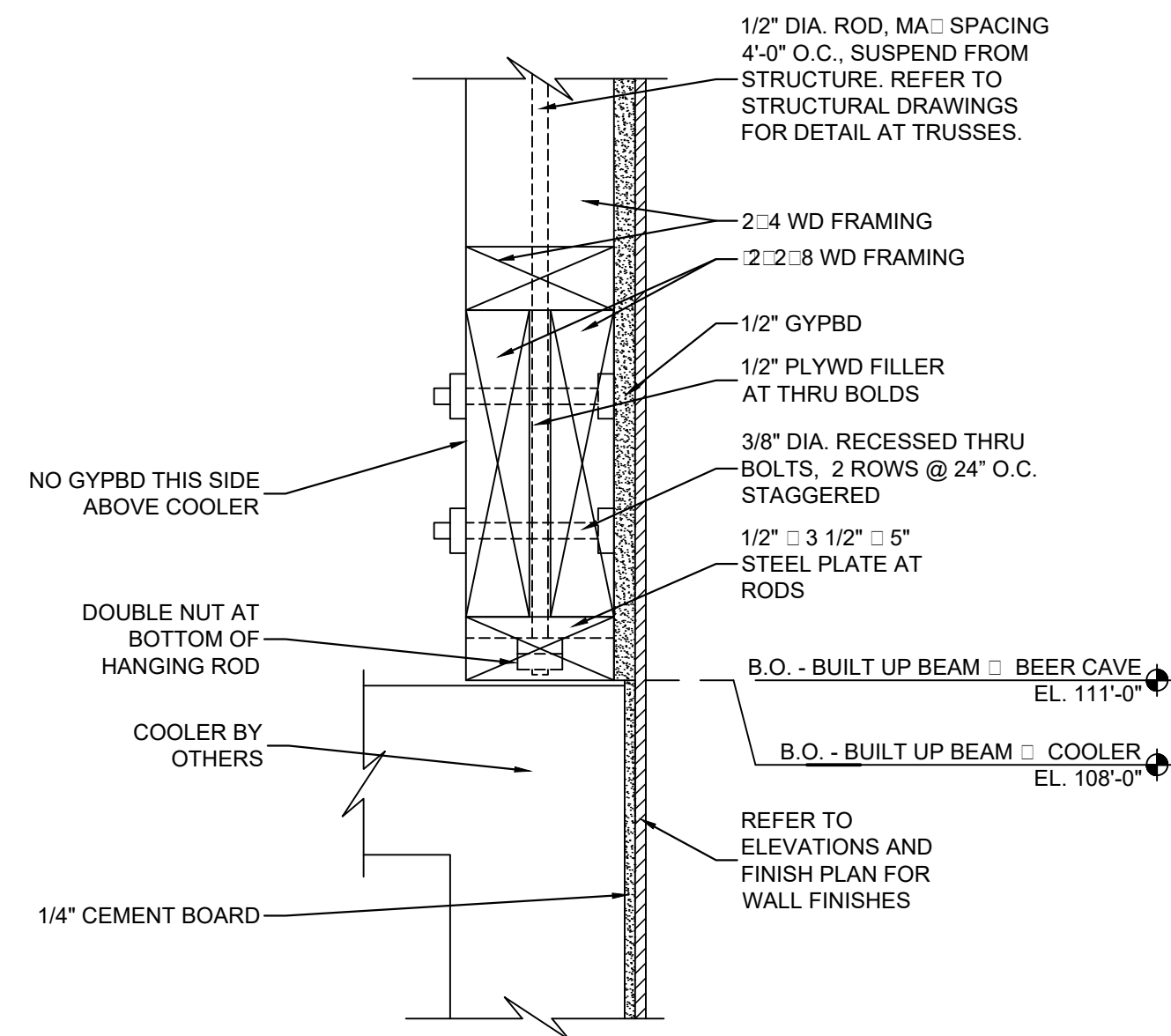
KEYES ARCHITECTS & ASSOCIATES
4717 PRESTON HIGHWAY
LOUISVILLE, KENTUCKY 40213 (502) 636-5113

NEWCOMB OIL CO., LLC.
38 DEAD READY LANE
LEBANON, KY 40033

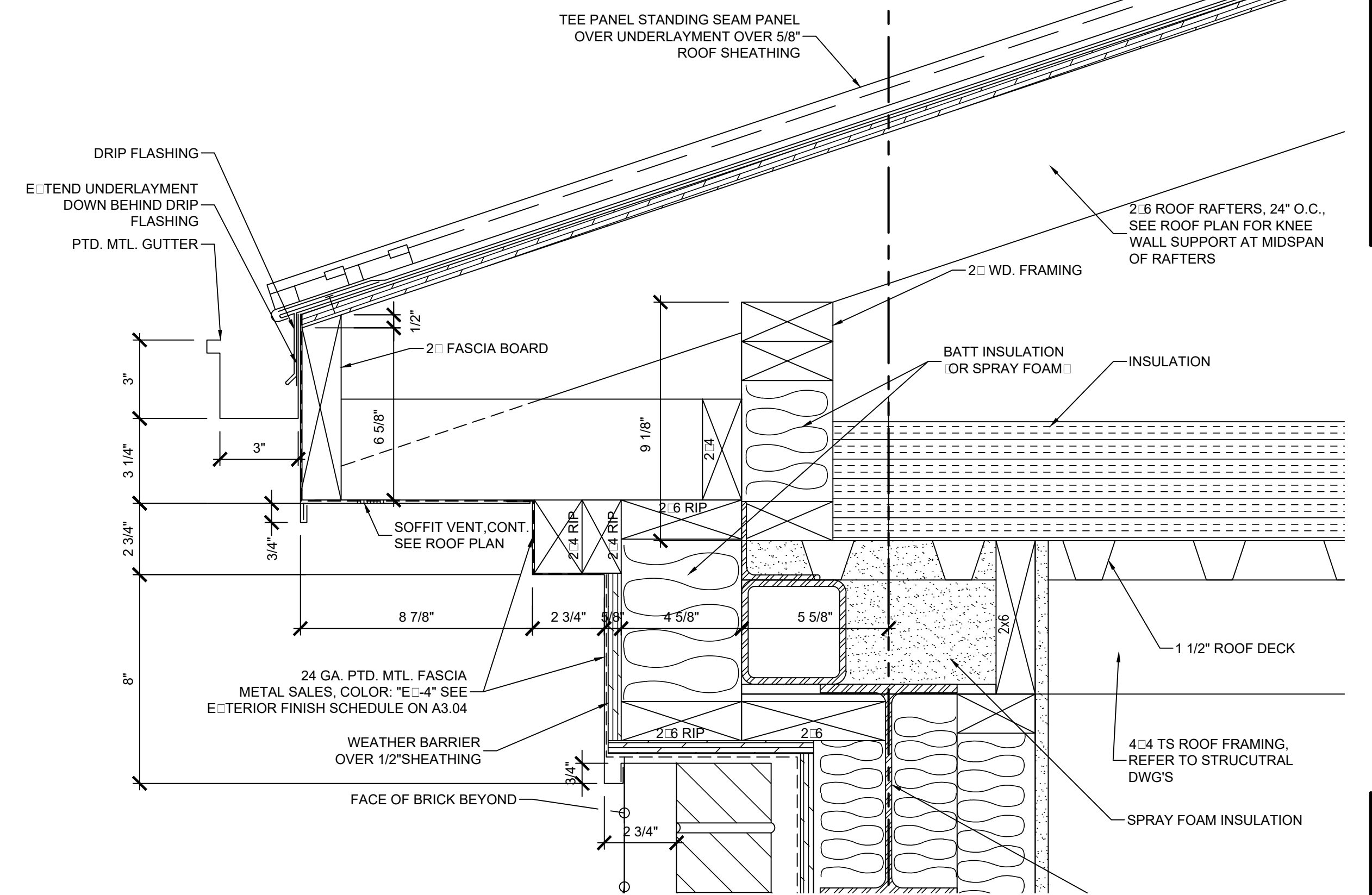
Keyes Architects and Associates expressly reserves its common law copyright and other property rights in these documents. These documents are considered proprietary information and shall not be upgraded, changed or copied in any form or matter without our prior written permission and consent of Keyes Architects and Associates, 3005 Tay or Boulevard, Louisville, Kentucky 40208



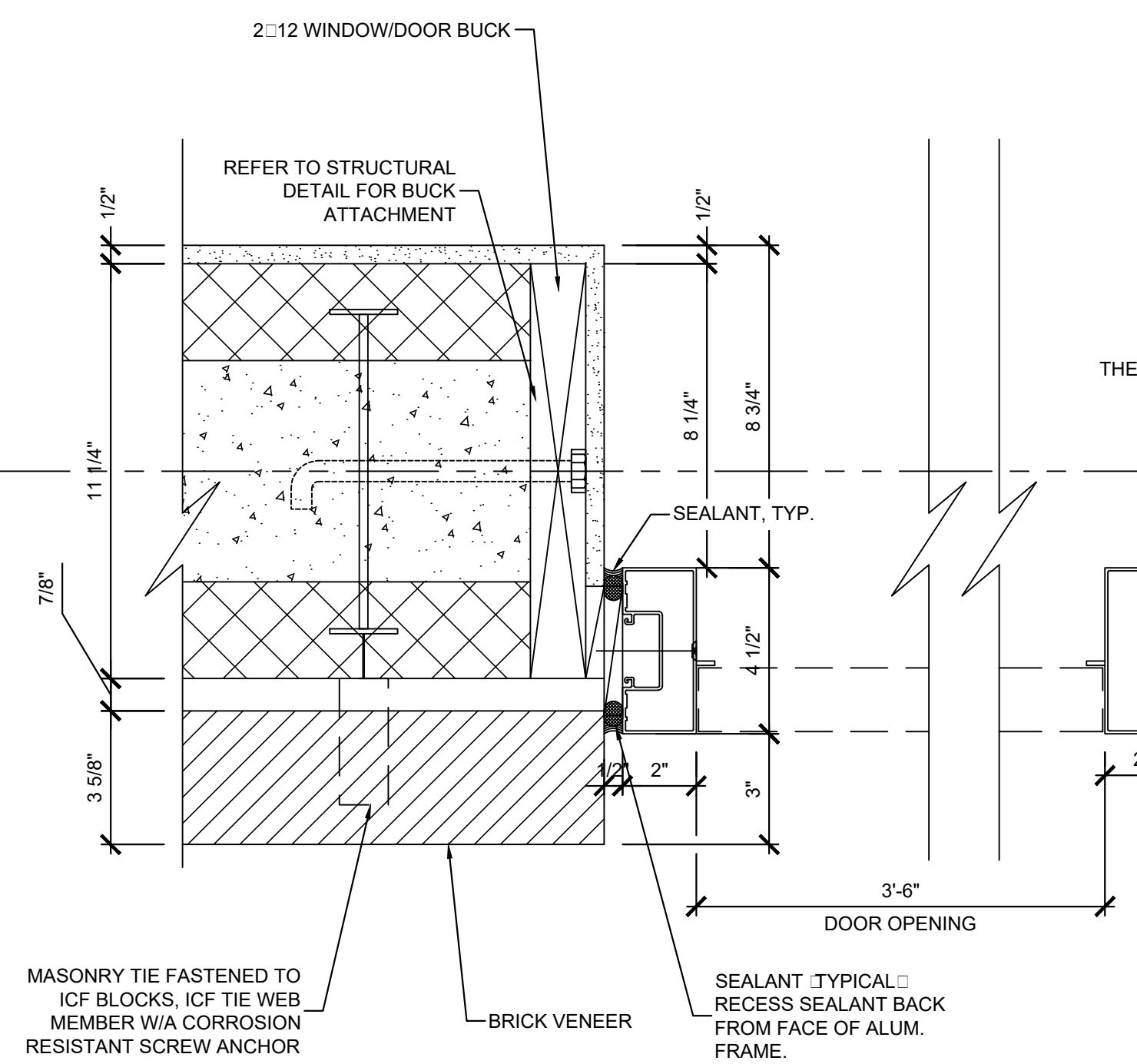
07 SECTION DETAIL: HEAD DTL.
SCALE: 3" = 1'-0"



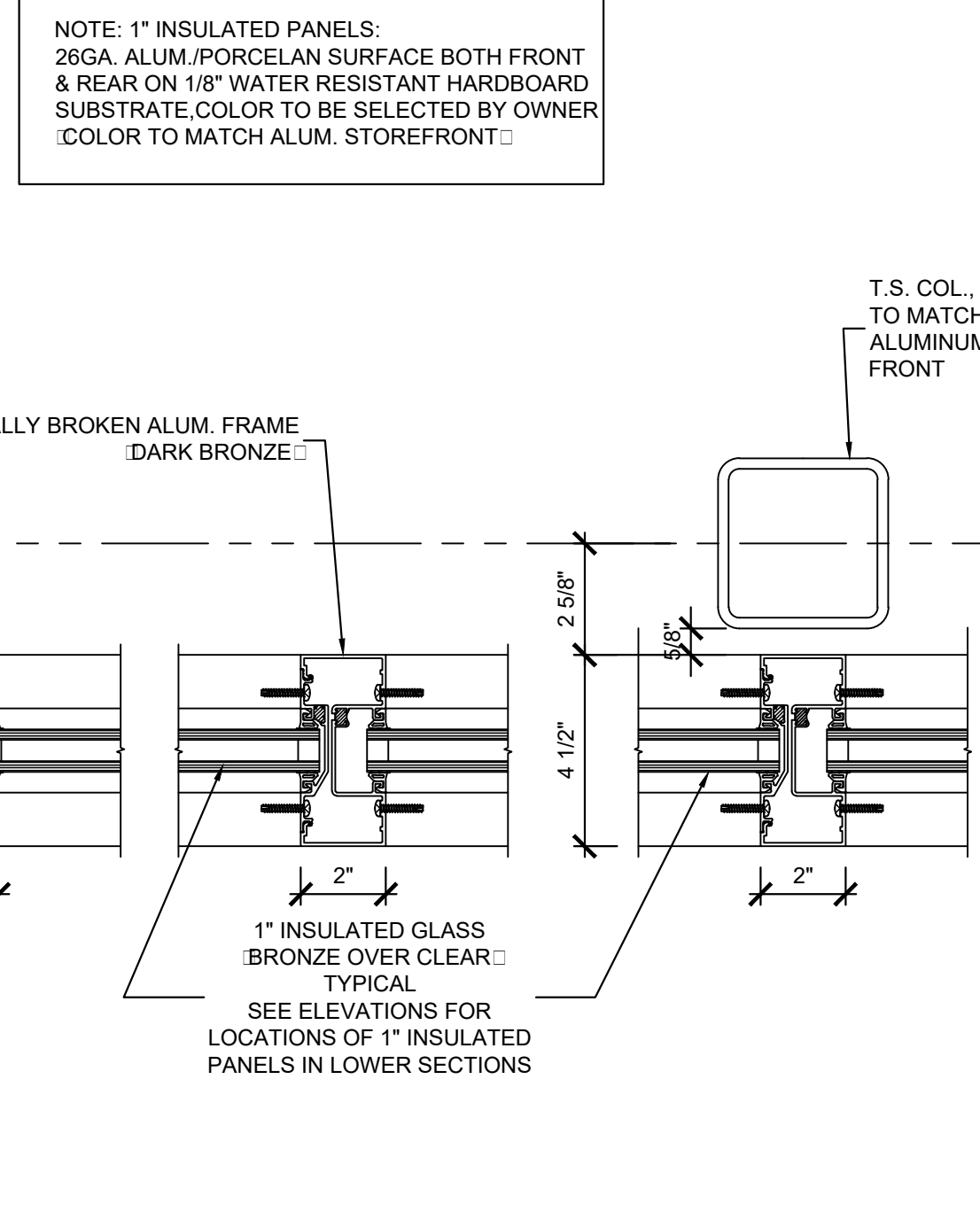
06 SECTION DETAIL: HEAD DTL.
SCALE: 3" = 1'-0"



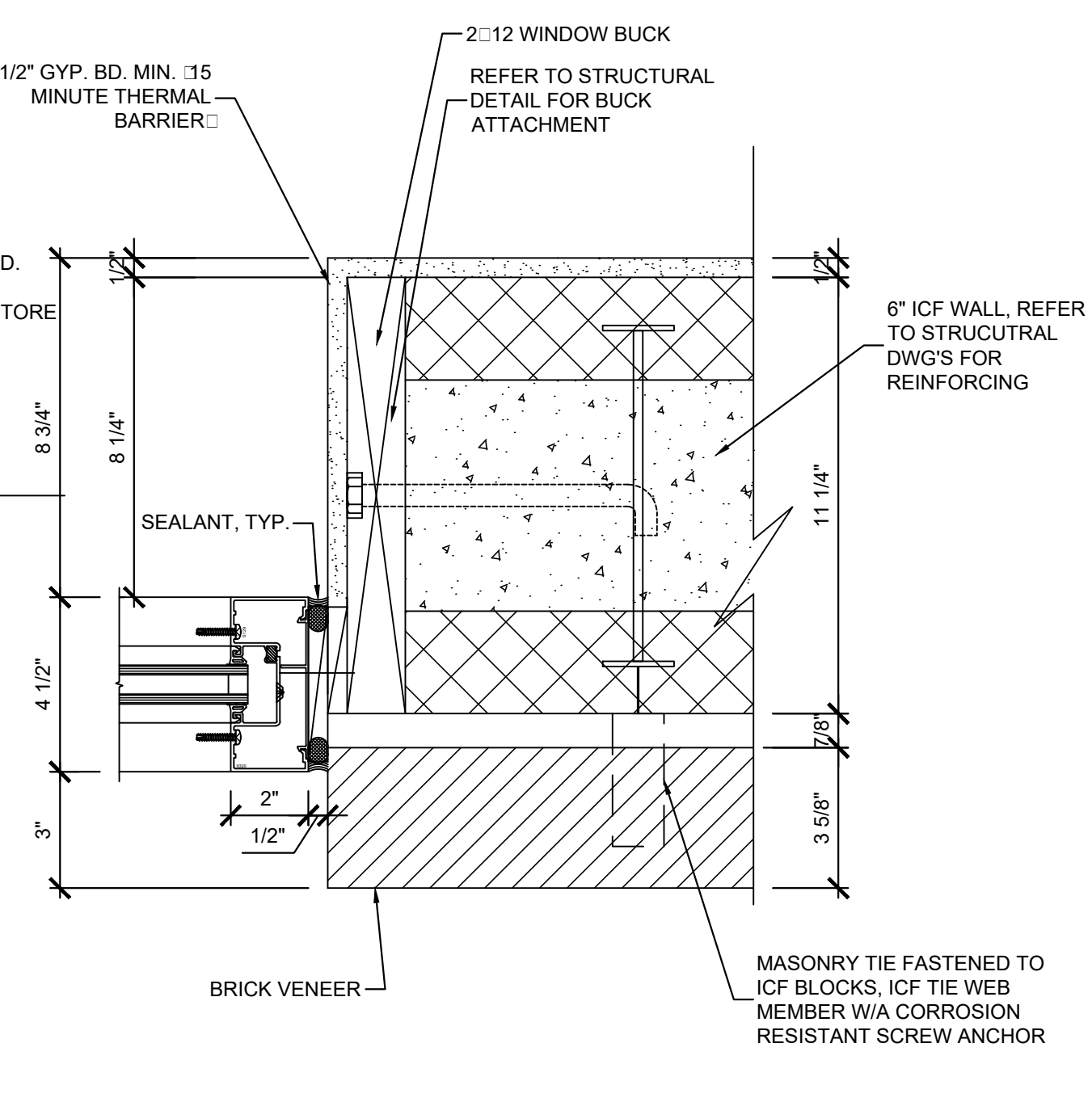
02 SECTION DETAIL
SCALE: 3" = 1'-0"



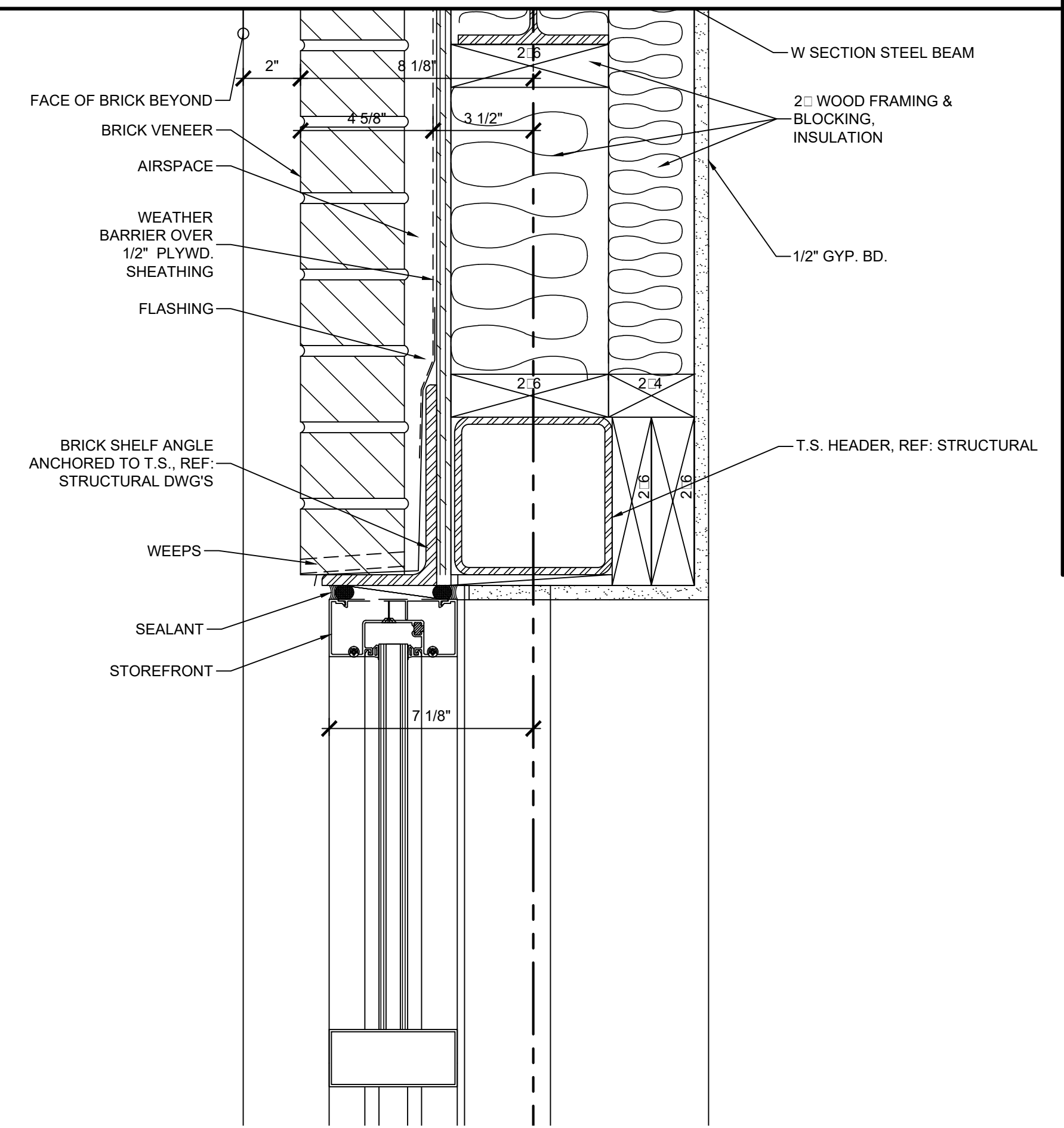
05 STOREFRONT JAMB
SCALE: 3" = 1'-0"



04 STOREFRONT JAMB
SCALE: 3" = 1'-0"



03 STOREFRONT JAMB
SCALE: 3" = 1'-0"



01 SECTION DETAIL
SCALE: 3" = 1'-0"

NOTE: 1" INSULATED PANELS:
26GA. ALUM./PORCELAIN SURFACE BOTH FRONT & REAR ON 1/8" WATER RESISTANT HARDBOARD SUBSTRATE. COLOR TO BE SELECTED BY OWNER. COLOR TO MATCH ALUM. STOREFRONT.



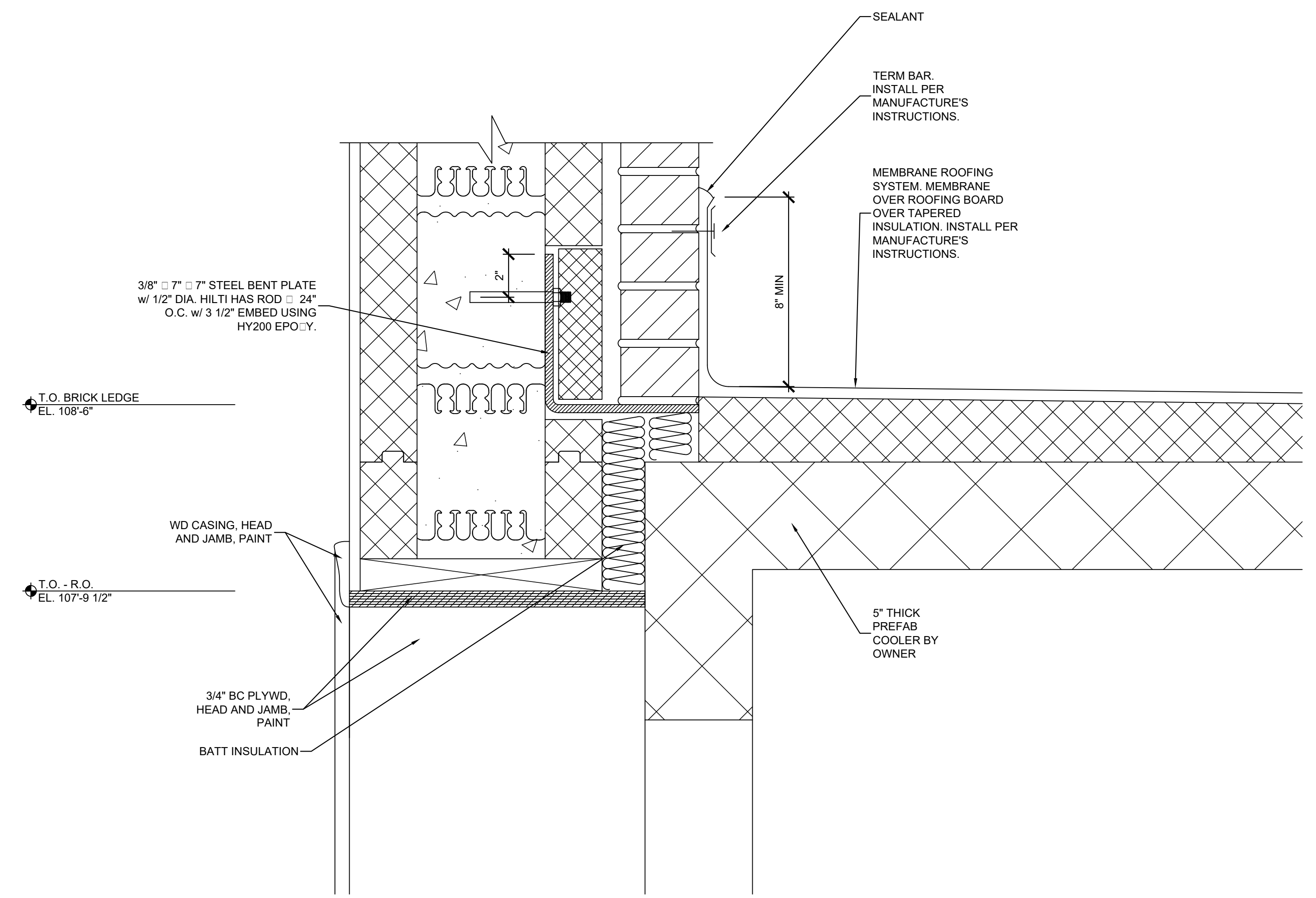
KEYES ARCHITECTS & ASSOCIATES
4717 PRESTON HIGHWAY
LOUISVILLE, KENTUCKY 40213 (502) 636-5113

FIVESTAR STORE #4950
NEWCOMB OIL CO., LLC.
38 DEAD READY LANE
LEBANON, KY 40033

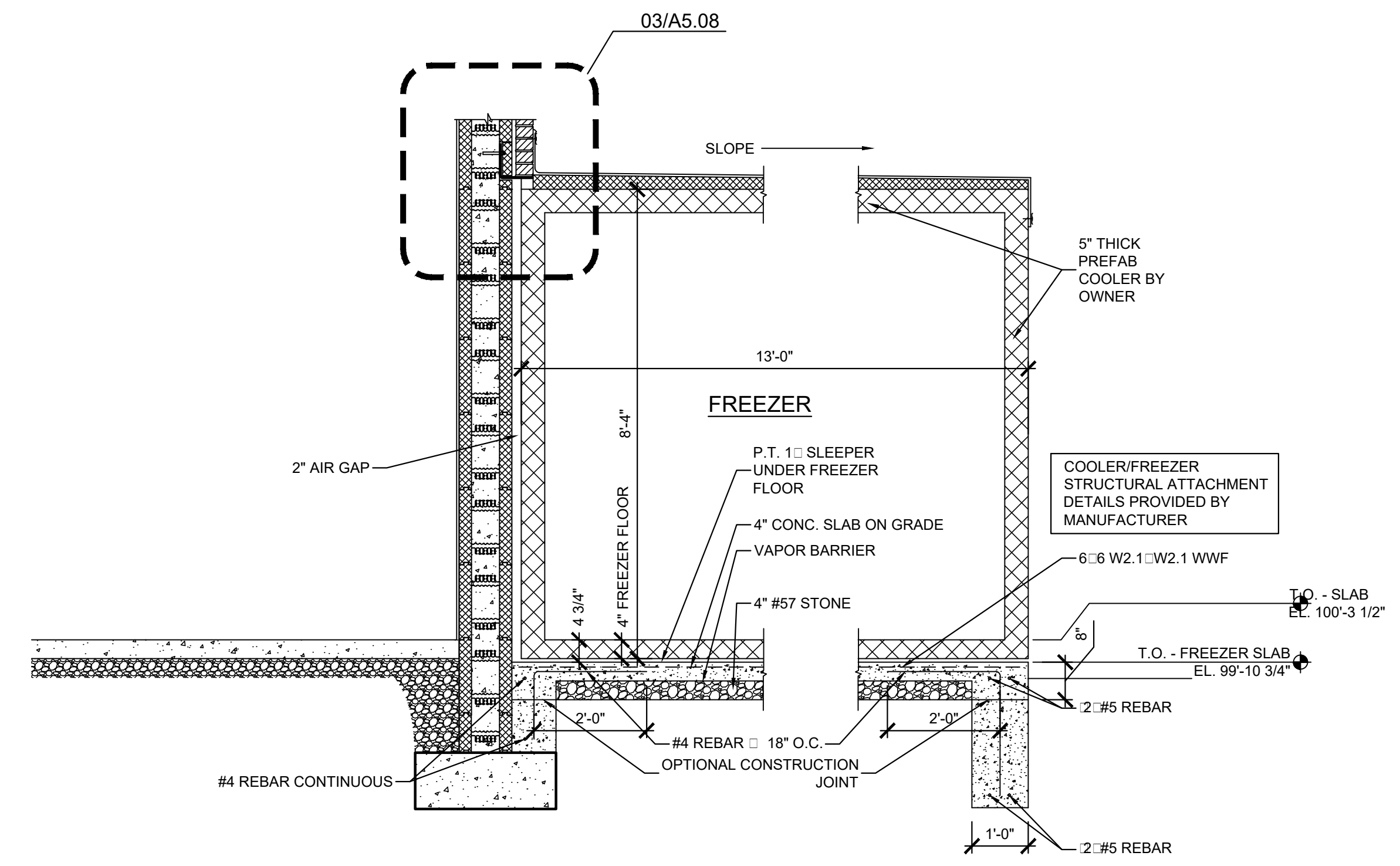
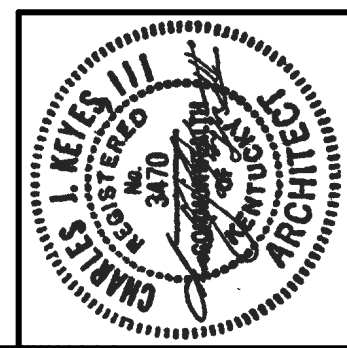
Keyes Architects and Associates expressly reserves its common law copyright and other property rights in these documents. These documents are considered proprietary information and shall not be upgraded, changed or copied in any form or matter without our prior written permission and consent of Keyes Architects and Associates, 3005 Tay or Boulevard, Louisville, Kentucky 40208

WALL SECTIONS & DETAILS
A5.07

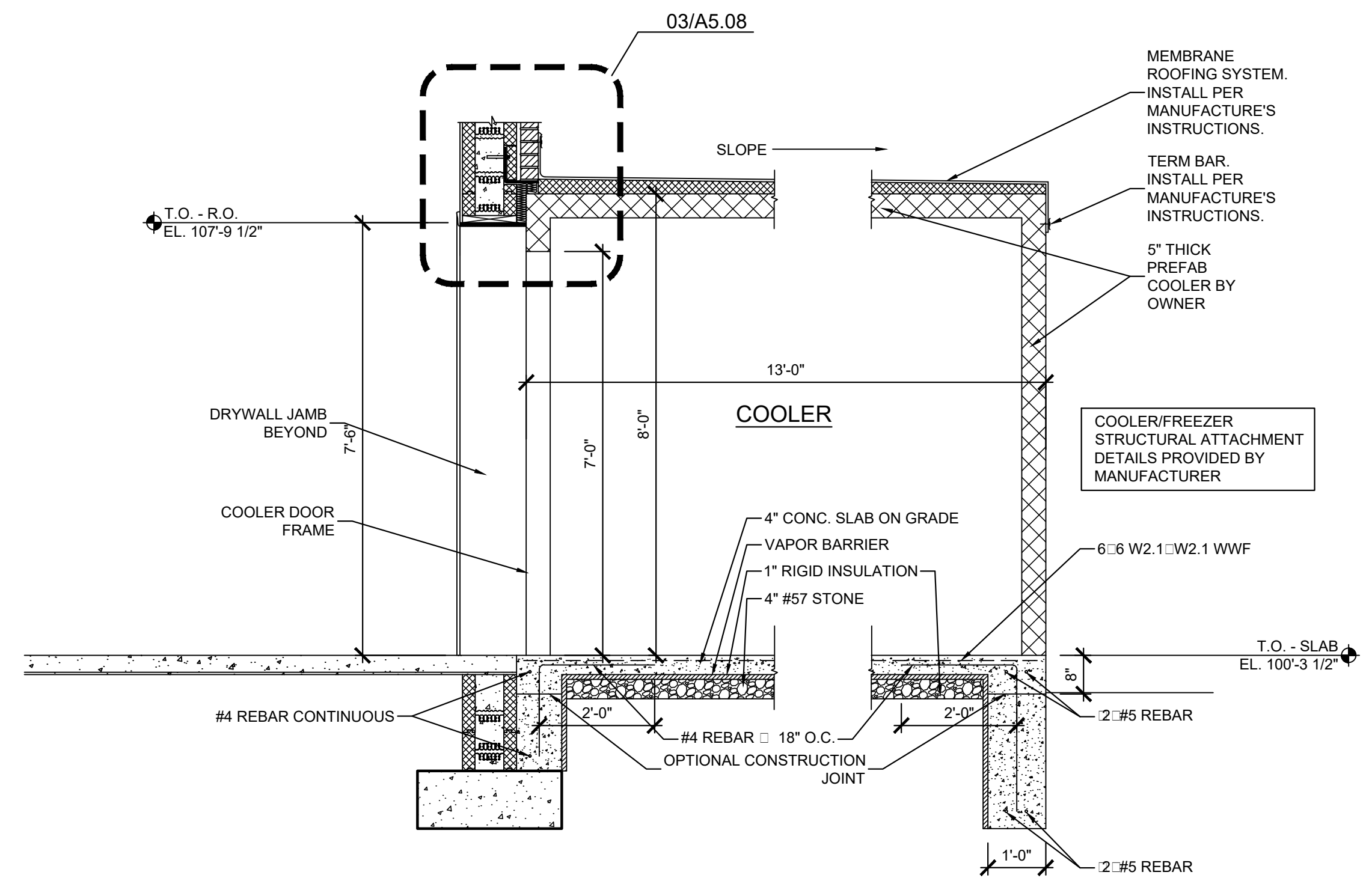
PROJECT: NEWCOMB OIL CO., LLC. - FILE: A5.07 WALL SECTIONS & DETAILS.dwg - DATE: JAN 25, 2021 9:54AM - BY: HAROLD CO.



03 SECTION DETAIL
SCALE: 3" = 1'-0"



02 SECTION DETAIL
SCALE: 1/2" = 1'-0"



01 SECTION DETAIL
SCALE: 1/2" = 1'-0"

KEYES ARCHITECTS & ASSOCIATES
4717 PRESTON HIGHWAY
LOUISVILLE, KENTUCKY 40213 (502) 636-5113

NEWCOMB OIL CO., LLC.
38 DEAD READY LANE
LEBANON, KY 40033

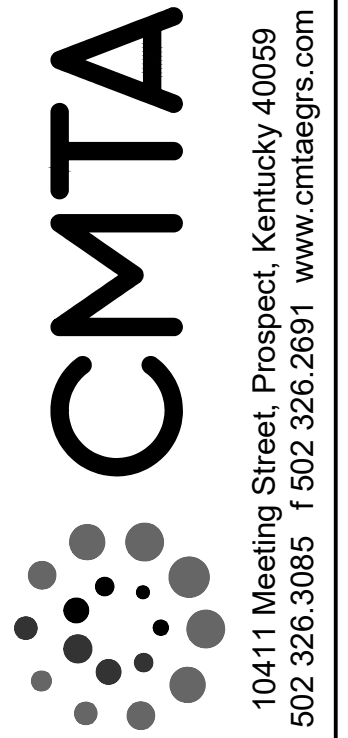
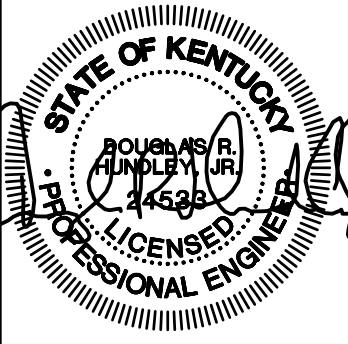
FIVESTAR STORE #4950

Keyes Architects and Associates expressly reserves its common law copyright and other property rights in these documents. These documents are considered proprietary information and shall not be upgraded, changed or copied in any form or matter without our prior written permission and consent of Keyes Architects and Associates, 3005 Tay or Boulevard, Louisville, Kentucky 40208

WALL SECTIONS & DETAILS

A5.08

PROJECT: NEWCOMB OIL CO., LLC. - FILE: A5.08 WALL SECTIONS & DETAILS.dwg - DATE: Jan 25, 2021 9:44AM - BY: HAROLD CO...



10411 Meeling Street, Prospect, Kentucky 40059
502.326.3085 f 502.326.2891 www.cmtaengs.com

KEYES ARCHITECTS & ASSOCIATES
4717 PRESTON HIGHWAY
LOUISVILLE, KENTUCKY 40213 (502) 636-5113

NEWCOMB OIL CO., LLC.
38 DEAD READY LN.
LEBANON, KY 40033

FIVESTAR STORE #4950

MECHANICAL LEGEND AND SCHEDULES

M1.01

RANGE HOOD	
SYMBOL	RH-1
MANUFACTURER	CAPTIVEAIRE
MODEL	4224EX-2-B
SERVICE	DEJ AREA
PHYSICAL SIZE	111" L x 42" D
INTEGRAL FIRE SUPPRESSION	NO
MOUNTING HEIGHT	6'-8" AFF
TYPE	TYPE 1
EXHAUST FAN	
MARK	EF-1
MANUFACTURER AND MODEL #	CAPTIVEAIRE - DUBSHFA
EXHAUST CFM/ESP	1850 / 1.0"
ELECTRICAL (V/Ø/HZ)	115 / 1 / 60
FAN HP/RPM	1 HP / 1359
FLA	10.2
WEATHER PROOF DISCONNECT	YES
GREASE DRAIN	YES

REMARKS:

- RANGE HOOD IS OWNER FURNISHED, OWNER INSTALLED.
- PROVIDE THE HOOD IN ONE SECTION. ATTACH UNIT TO WALL WITH MANUFACTURER'S WALL BRACKET. COORDINATE MOUNTING LOCATION WITH THE ARCHITECT.
- ALL COMPONENTS OF THE RANGE HOOD SHALL BE UL LISTED.
- UNIT TO BE PROVIDED WITH ELECTRIC RELAY SWITCH BOX FOR ELECTRICAL RANGE. COORDINATE INSTALLATION WITH THE ELECTRICAL CONTRACTOR.
- PROVIDE EXHAUST FAN WITH GREASE BOX, GREASE CUP, AND MANUFACTURER'S ROOF CURB.
- PROVIDE HOOD WITH LED LIGHT FIXTURES.
- INFORMATION IS PROVIDED FOR COORDINATION PURPOSES.
- FAN IS TO BE UL LISTED FOR KITCHEN USE AND GREASE LADEN VAPORS.
- PROVIDE HOOD WITH 24" FIELD WRAPPER.
- FAN AND LIGHT CONTROLS ARE TO BE MOUNTED ON FRONT OF HOOD. EACH SWITCH SHALL HAVE AN INDICATOR LIGHT AND IDENTIFICATION PLACARD. COORDINATE EXACT LOCATION WITH OWNER.
- THE FIRE SUPPRESSION SYSTEM SHALL BE THE PRE-ENGINEERED TYPE WITH A FIXED NOZZLE AGENT DISTRIBUTION NETWORK. IT SHALL BE UL LISTED AND INSTALLED PER MANUFACTURER'S RECOMMENDATIONS.
- THE SYSTEM SHALL BE CAPABLE OF AUTOMATIC DETECTION AND ACTUATION WITH LOCAL OR REMOTE MANUAL ACTUATION. ACCESSORIES SHALL BE AVAILABLE FOR MECHANICAL OR ELECTRICAL GAS LINE SHUT-OFF APPLICATIONS.
- THE EXTINGUISHING AGENT SHALL BE A POTASSIUM CARBONATE, POTASSIUM ACETATE-BASED FORMULATION DESIGNED FOR FLAME KNOCKDOWN AND SECUREMENT OF GREASE, RELATED FIRES. IT SHALL BE AVAILABLE IN PLASTIC CONTAINERS WITH INSTRUCTIONS FOR LIQUID AGENT HANDLING AND USAGE.
- THE REGULATED RELEASE MECHANISM SHALL BE COMPATIBLE WITH A FUSIBLE LINK DETECTION SYSTEM. THE FUSIBLE LINK SHALL BE SELECTED AND INSTALLED ACCORDING TO THE OPERATING TEMPERATURE IN THE VENTILATING SYSTEM. THE FUSIBLE LINK SHALL BE SUPPORTED BY A DETECTOR BRACKET/LINKAGE ASSEMBLY.
- BALANCING CONTRACTOR TO BALANCE EXHAUST FAN TO WITHIN 5% OF LISTED AIRFLOW.

MAKE-UP AIR UNIT	
GENERAL INFORMATION	
SYMBOL	MAU-1
MANUFACTURER	CAPTIVEAIRE
MODEL	A1-D.250-G10-MPU
CFM / ESP	1665 / 0.45"
HP / RPM	1 HP / 1073
V/Ø/HZ	115 / 1 / 60
FLA	9.0
INPUT (GAS)	109.6 MBH
TEMP. RISE	59° F
WEIGHT	1250 LBS
CONDENSING UNIT INFORMATION	
V/Ø/HZ	208 / 1 / 60
MCA / MOP	18.1 / 30
TOTAL / SENSIBLE CAPACITY (MBH)	31.4 / 20.9
ENTERING AIR DB / WB	88.0° F / 73.0° F
LEAVING AIR DB / WB	75.7° F / 67.7° F

REMARKS:

- ALL COMPONENTS OF THE MAKEUP AIR UNIT SHALL BE UL LISTED.
- PROVIDE UNIT WITH COOLING INTERLOCK RELAY.
- PROVIDE WITH LOW-FIRE START.
- THIS UNIT HAS TWO POWER CONNECTIONS.
- PROVIDE WITH DX COOLING INTAKE AIR THERMOSTAT AND RELAYS MOUNTED IN UNIT.
- PROVIDE MAKEUP AIR UNIT WITH FACTORY MOUNTED AND WIRED CONTROL PANEL. PANEL SHALL CONTAIN (1) POWER DISCONNECT SWITCH AND (1) STARTER FOR SUPPLY FAN AND (1) STARTER FOR THE EXHAUST FAN. PANEL SHALL BE PRE-WIRED IN A NEMA OUTDOOR ENCLOSURE WITH STAINLESS STEEL HINGED AND LOCKABLE COVER.
- PROVIDE A FULL PERIMETER ROOF CURB FOR MAKE-UP AIR UNIT.
- PROVIDE WITH MOTORIZED BACKDRAFT DAMPER IN INTAKE OF UNIT INTERLOCKED TO OPEN WITH SUPPLY FAN. DAMPER SHALL HAVE SEALS.
- PROVIDE A REMOTE RANGEHOOD CONTROL PANEL WHERE INDICATED ON THE NEW WORK DRAWINGS. PANEL SHALL HAVE TWO (2) SWITCHES; (1) ACTIVATE SUPPLY AND EXHAUST FAN, (2) ACTIVATE HOOD LIGHTS, EACH SWITCH SHALL HAVE AN INDICATOR LIGHT AND IDENTIFICATION PLACARD.
- PROVIDE WITH MODULATING GAS VALVE.
- BALANCING CONTRACTOR TO BALANCE MAU TO WITHIN 5% OF LISTED AIRFLOW.

PACKAGED COOLING UNIT	
SYMBOL	PCU-1
AREA SERVED	GENERAL
TYPE OF SYSTEM	DX COOLING / GAS HEAT
MANF. & MODEL	TRANE YHC120
CONFIGURATION	HORIZONTAL
SINGLE POINT CONNECTION	YES
VOLTAGE / PHASE	208 / 3Ø
MCA / MOP	46.1 / 60.0
REMARKS (SEE NOTES BELOW)	ALL
SUPPLY FAN	
DESIGN CFM/RPM	4000 / 1552
MIN. OUTSIDE AIR (CFM)	575
HP / BHP	3.18 / 3.18
VOLTS / PHASE / HZ	208 / 3 / 60
ESP	1.0"
TSP	1.46"
D □ COIL	
NET TOTAL COOLING CAP. (MBH)	99.4
NET SENSIBLE COOLING CAP. (MBH)	83.1
TOTAL CFM	4000
FACE VELOCITY (FPM)	240
NUMBER OF COMPRESSORS	2
EAT - SUMMER (DB/WB)	76.0 F / 63.0 F
LAT - SUMMER (DB/WB)	57.2 F / 54.3 F
EER @ AHRI	12.4
HOT GAS REHEAT CAPACITY	
CAPACITY	89.1
LAT (DB)	75.2 F
COIL MOISTURE REMOVAL (LB/HR)	17.9
GAS HEATING	
FUEL	NATURAL GAS
INPUT / OUTPUT HEATING CAP. (MBH)	150.0 / 120.0
EAT - WINTER (DB/WB)	70.0 F
LAT - WINTER (DB/WB)	98.1 F
DISPOSABLE PRIMARY FILTER	
TYPE	THROWAWAY
EFFICIENCY	MERV 7 PLEATED
SIZE (W" x H" x D")	20x25x2

REMARKS:

- PROVIDE FLEXIBLE CONNECTIONS FOR ALL DUCTWORK AND PIPING CONNECTIONS TO UNIT.
- SLOPE CONDENSATE DRAIN TO OUTLET.
- PROVIDE WITH HIGH EFFICIENCY FAN MOTORS.
- PROVIDE ALL UNITS WITH A SINGLE POINT CONNECTION, AND FACTORY INSTALLED STARTERS AND NON-FUSIBLE DISCONNECTS.
- PROVIDE WITH HONEYWELL MODEL TH8321R1001 REDLINK PROGRAMMABLE THERMOSTAT, HONEYWELL MODEL C7189R1004 REDLINK REMOTE TEMPERATURE SENSORS, AND HONEYWELL MODEL THM6000R1002 REDLINK INTERNET GATEWAY.
- PROVIDE UNIT WITH HALL GUARD.
- PROVIDE WITH A 120V SERVICE OUTLET.
- PROVIDE WITH 14" TALL FACTORY MOUNTED SHEET METAL CURB. CURB SHALL NOT EXTEND BEYOND UNIT.
- MOTORIZED OUTSIDE AIR DAMPER. (BALANCE MINIMUM OA TO 575 CFM.)
- PROVIDE UNIT WITH ENTHALPY ECONOMIZER AND ECONOMIZER HOOD.
- PROVIDE UNIT WITH HINGED ACCESS DOORS FOR FILTER RACK.
- BALANCE REPORT SHALL BE TURNED OVER TO GENERAL CONTRACTOR.
- UNIT MANUFACTURER SHALL BE TRANE. NO EXCEPTIONS.
- PROVIDE REMOTE MOUNTED BAROMETRIC RELIEF HOOD. HOOD SHALL BE MOUNTED ON RETURN DUCT. REFER TO MECHANICAL DRAWINGS FOR LOCATION.
- UNIT SHALL HAVE RETURN AIR DUCT SMOKE DETECTOR. INSTALL UPSTREAM OF BAROMETRIC RELIEF HOOD.
- PROVIDE UNIT WITH HOT GAS REHEAT FOR DEHUMIDIFICATION MODE AND DUCT-MOUNTED HUMIDISTAT SET AT 50% RELATIVE HUMIDITY.
- PROVIDE UNIT WITH MULTI-SPEED SUPPLY FAN STAGED WITH COMPRESSORS.

EXHAUST FAN		
SYMBOL	EF-2	EF-3
MANUFACTURER	COOK	COOK
MODEL	GC-182	GC-162
CFM	225	150
S.P.	0.25"	0.25"
VOLTAGE	115/1/60	115/1/60
WATTS	169	96

REMARKS:

- UNIT TO BE SUPPLIED WITH A BACKDRAFT DAMPER AND ALUMINUM EXTERIOR WALL CAP WITH BIRDSCREEN.
- UNIT TO BE PROVIDED WITH SPEED CONTROLLER.

MECHANICAL LEGEND	
AFF	ABOVE FINISHED FLOOR
TYP	TYPICAL
NTS	NOT TO SCALE
NIC	NOT IN CONTRACT
NO	NORMALLY OPEN
NC	NORMALLY CLOSED
	TAGGED NOTE
	INDICATES AIR DISTRIBUTION DEVICE SPECIFICATION (L=LOUVER, T=TRANSFER GRILLE, S=SUPPLY DIFFUSER OR REGISTER, R=RETURN GRILLE OR REGISTER, E= EXHAUST GRILLE OR REGISTER)
	MECHANICAL EQUIPMENT DESIGNATOR
	SUPPLY AIR DUCT - INSIDE DIMENSION (TURNED UP/DOWN)
	RETURN AIR DUCT - INSIDE DIMENSION (TURNED UP/DOWN)
	EXHAUST/RELIEF AIR DUCT - INSIDE DIMENSION (TURNED UP/DOWN)
	FLEXIBLE DUCT
	ACCESS DOOR IN BOTTOM OF DUCT
	ACCESS DOOR IN SIDE OF DUCT
	OPPOSED BLADE DAMPER (MOTORIZED)
	VOLUME DAMPER (MANUAL)
	TURNING VANES
	TEMPERATURE SENSOR
	REMOTE TEMPERATURE SETPOINT CONTROLLER
	DUCT SMOKE DETECTOR

REGISTERS, GRILLES, AND DIFFUSERS							
SYMBOL	MANUF. & MODEL	MATERIAL & TYPE	CFM RANGE	PHYSICAL SIZE			REMARKS
				OVERALL FACE SIZE	NECK SIZE	INLET DUCT SIZE	
S-1	TITUS TMRA	STEEL CONSTRUCTION 4 CONE 360° UNIFORM PATTERN	0-130	20"ø	6"ø	6"ø	3
S-2	TITUS TMRA	STEEL CONSTRUCTION 4 CONE 360° UNIFORM PATTERN	131-250	22.5"ø	8"ø	8"ø	3
S-3	TITUS TMRA	STEEL CONSTRUCTION 4 CONE 360° UNIFORM PATTERN	251-375	22.5"ø	10"ø	10"ø	3
S-4	TITUS TMSA	STEEL CONSTRUCTION 3 CONE 360° PATTERN	0-100	12"x12"	6"ø	6"ø	1, 2, 3, 5, 7
S-5	TITUS 300RS	EXTRUDED ALUMINUM DOUBLE DEFLECTION 3/4" SPACING	0-450	14"x12"	12"x10"	12"x10"	3, 4
R-1	TITUS 350ZRL	STEEL LOUVERED GRILLE 3/4" BLADE SPACING 0° DEFLECTION	425	14"x12"	12x10"	12"x10"	3, 4
R-2	TITUS 23RL	STEEL RETURN GRILLE 45° DEFLECTION 3/4" BLADE SPACING	3000	48"x48"	46"x46"	46"x46"	3, 5, 6
R-3	TITUS 355RL	STEEL LOUVERED GRILLE 1/2" BLADE SPACING 35° DEFLECTION	0-100	12"x10"	10"x8"	10"x8"	3, 4
T-1	HART & COOLEY TG	ALUMINUM CONSTRUCTION T TYPE BLADE VISION PROOF	0-100	12"x12"	10"x10"	10"x10"	3, 4

REMARKS:

- INLET TRANSITION BOX, ROUND TO RECTANGULAR.
- PROVIDE WITH MOLDED INSULATION BLANKET ON DIFFUSER.
- PROVIDE WHITE IN COLOR.
- GRILLE SHALL BE SIDEWALL/DUCT MOUNTED.
- CEILING SURFACE MOUNTED.
- PROVIDE WITH PLENUM BOX. PAINT INTERIOR OF PLENUM BOX WITH FLAT BLACK PAINT.
- PROVIDE DESIGNATED TYPE "B" DIFFUSERS WITH 3-WAY THROW.

Material Requirements to Achieve Installed R-Value

Nominal Thickness in. (mm)	Installed Thickness in. (mm)	Stretch Out Dimensions, in. (mm)		
		Round and Oval Ducts	Square Ducts	Rectangular Ducts
1/2 (38)	1/4 (29)	P+9 1/2 (240)	P+8 (205)	P+7 (180)
2 (51)	1 1/2 (38)	P+12 (305)	P+10 (255)	P+8 (205)
2 1/2 (56)	1 3/4 (41)	P+13 (330)	P+11 (280)	P+8 1/2 (215)
3 (76)	2 1/4 (57)	P+17 (430)	P+14 1/2 (370)	P+11 1/2 (290)
4 (102)	3 (76)	P+22 (560)	P+19 (483)	P+16 (406)

P = measured duct perimeter

All seams and joints stapled approximately 6" (150mm) on centers before sealing with tape or mastic.

GENERAL NOTES (APPLICABLE TO ALL DRAWINGS)

- EACH CONTRACTOR, SUPPLIER AND, OR MANUFACTURER SHALL REFER TO ALL DOCUMENTS PERTAINING TO THIS PROJECT AND COORDINATE ACCORDINGLY SO AS TO ENSURE ADEQUACY OF FIT, COMPLIANCE WITH SPECIFICATIONS, PROPER VOLTAGE AND CURRENT CHARACTERISTICS AND AVOID CONFLICT WITH ANY OTHER BUILDINGS SYSTEMS. VERIFY SAME WITH SHOP DRAWINGS.
- ALL OFFSETS, TURNS, FITTINGS, TRIM, DETAIL, ETC., MAY NOT BE INDICATED, BUT SHALL BE PROVIDED AS REQUIRED. ADDITIONAL ALLOWANCES SHALL BE INCLUDED FOR SAME AT EACH PROPOSER'S DISCRETION.
- OBSERVE ALL APPLICABLE CODES, RULES AND REGULATIONS (CITY, COUNTY, LOCAL, STATE, FEDERAL, MUNICIPALITY, UTILITY COMPANY, OSHA, ETC.).
- ALL SYSTEMS, EQUIPMENT, AND MATERIALS ARE TO BE INSTALLED IN A NEAT AND WORKMANLIKE MANNER. WORK NOT DONE SO SHALL BE REMOVED AND REINSTALLED SATISFACTORILY.
- WHERE MOUNTING HEIGHTS ARE NOT INDICATED OR ARE IN CONFLICT WITH ANY OTHER BUILDING SYSTEM, CONTACT THE ENGINEERS BEFORE INSTALLATION. REFER ALSO TO ARCHITECTURAL WALL INTERIOR AND EXTERIOR WALL ELEVATIONS, CEILING HEIGHTS AND OTHER DETAIL OF THESE DOCUMENTS.
- DO NOT SCALE FROM DRAWINGS, PRINTING DISTORTS SCALE. WORK SHALL BE LAID OUT FROM DIMENSIONED DRAWINGS, OR DIMENSIONS SUPPLIED TO THE CONTRACTOR.
- THE PURPOSE AND INTENT OF ALL THE DOCUMENTS PERTAINING TO THIS PROJECT IS TO PROVIDE A COMPLETE, FUNCTIONAL, SAFE, NEW FACILITY. ANYTHING LESS SHALL BE UNACCEPTABLE.
- ANY VIBRATING, OSCILLATING, OR OTHER NOISE OR MOTION PRODUCING EQUIPMENT SHALL BE ISOLATED FROM SURROUNDING SYSTEMS IN AN APPROVED MANNER. NOISY OR STRUCTURALLY DAMAGING INSTALLATIONS SHALL BE SATISFACTORILY REPLACED OR REPAIRED AT THE INSTALLING CONTRACTOR'S EXPENSE. THE FINAL DECISION ON THE SUITABILITY OF A PARTICULAR INSTALLATION'S ACCEPTABILITY SHALL BE THAT OF THE ENGINEER.
- INSTALL EQUIPMENT, MATERIALS, ETC. IN STRICT ACCORD WITH MANUFACTURER'S RECOMMENDATIONS AND DIRECTIONS. IF IN CONFLICT WITH THE DESIGN INDICATED IN CONTRACT DOCUMENTS, NOTIFY THE ENGINEERS PRIOR TO INSTALLATION FOR CLARIFICATION.
- ALL SUPPORTS FOR EQUIPMENT, DEVICES OR FIXTURES SHALL BE UNIQUE, FROM THE BUILDING STRUCTURE. DO NOT SUPPORT WORK FROM OTHER TRADES, EQUIPMENT, OR SUPPORTS WITHOUT WRITTEN PERMISSION FROM THE ENGINEER AND CONSENT OF THE OTHER TRADE, IN WRITING.
- DEVIATIONS IN SIZE, CAPACITIES, FIT, FINISH, ETC. FOR EQUIPMENT FROM THAT PRIME SPECIFIED SHALL BE THE RESPONSIBILITY OF THE PURCHASER OF THAT EQUIPMENT. ANY PROVISIONS REQUIRED TO ACCOMMODATE A DEVIATION, WHETHER APPROVED BY THE ENGINEERS OR NOT, SHALL BE THE RESPONSIBILITY OF THE PURCHASER.
- THE GENERAL CONTRACTOR FOR THIS CONSTRUCTION IS RESPONSIBLE FOR THE COORDINATION, APPEARANCE, SCHEDULING, AND TIMELINESS OF THE WORK OF ALL TRADES, CONTRACTORS, SUPPLIERS, INSTALLERS, ETC.
- VALVES, BALANCING DAMPERS, OR ANY MECHANICAL/ELECTRICAL ITEM SHALL NOT BE LOCATED ABOVE A HARD CEILING. IF THIS IS NOT POSSIBLE, THEN AN APPROPRIATELY SIZED ACCESS DOOR SHALL BE PLACED UNDER THE ITEM TO ALLOW EASY MAINTENANCE AND ADJUSTMENT.
- THE GENERAL CONTRACTOR SHALL ENSURE PROPER COORDINATION BETWEEN ALL TRADES SUCH THAT CONDURTS, PIPING, DUCTWORK, ETC. DO NOT BLOCK ACCESS TO VALVES, EQUIPMENT, DUCT ACCESS, DOORS, ETC. ITEMS THAT HAVE BEEN INSTALLED WHERE ACCESS IS COMPROMISED SHALL BE RELOCATED AT THE CONTRACTOR'S EXPENSE.
- REFER TO DETAIL SHEETS FOR ADDITIONAL PIPING/DUCTWORK INSTALLATION REQUIREMENTS.
- THE EQUIPMENT ROUGH-IN ITEMS AND THEIR DIMENSIONED LOCATIONS FOR ALL CONNECTIONS ARE ACCURATE TO THE BEST OF OUR KNOWLEDGE AND SHALL BE VERIFIED WITH THE EQUIPMENT SUPPLIER, OWNER AND/OR THE EQUIPMENT ROUGH-IN DRAWINGS. IN SOME INSTANCES, THE OWNER OR SUPPLIER MAY MAKE SUBSTITUTIONS OR THE EQUIPMENT ITEM MAY VARY FROM WHAT IS SHOWN. THEREFORE, THE ARCHITECT/ENGINEER SHALL BE IMMEDIATELY NOTIFIED, PRIOR TO CONSTRUCTION OF ANY DEVIATIONS FROM WHAT IS SHOWN OR IMPLIED ON THESE DRAWINGS. FAILURE OF THE APPROPRIATE CONTRACTOR TO VERIFY ROUGH-INS OR THEIR LOCATIONS SHALL PLACE RESPONSIBILITY FOR ANY SUBSEQUENT RELOCATION AND/OR ADDITIONAL ROUGH-INS DIRECTLY UPON THE CONTRACTOR.

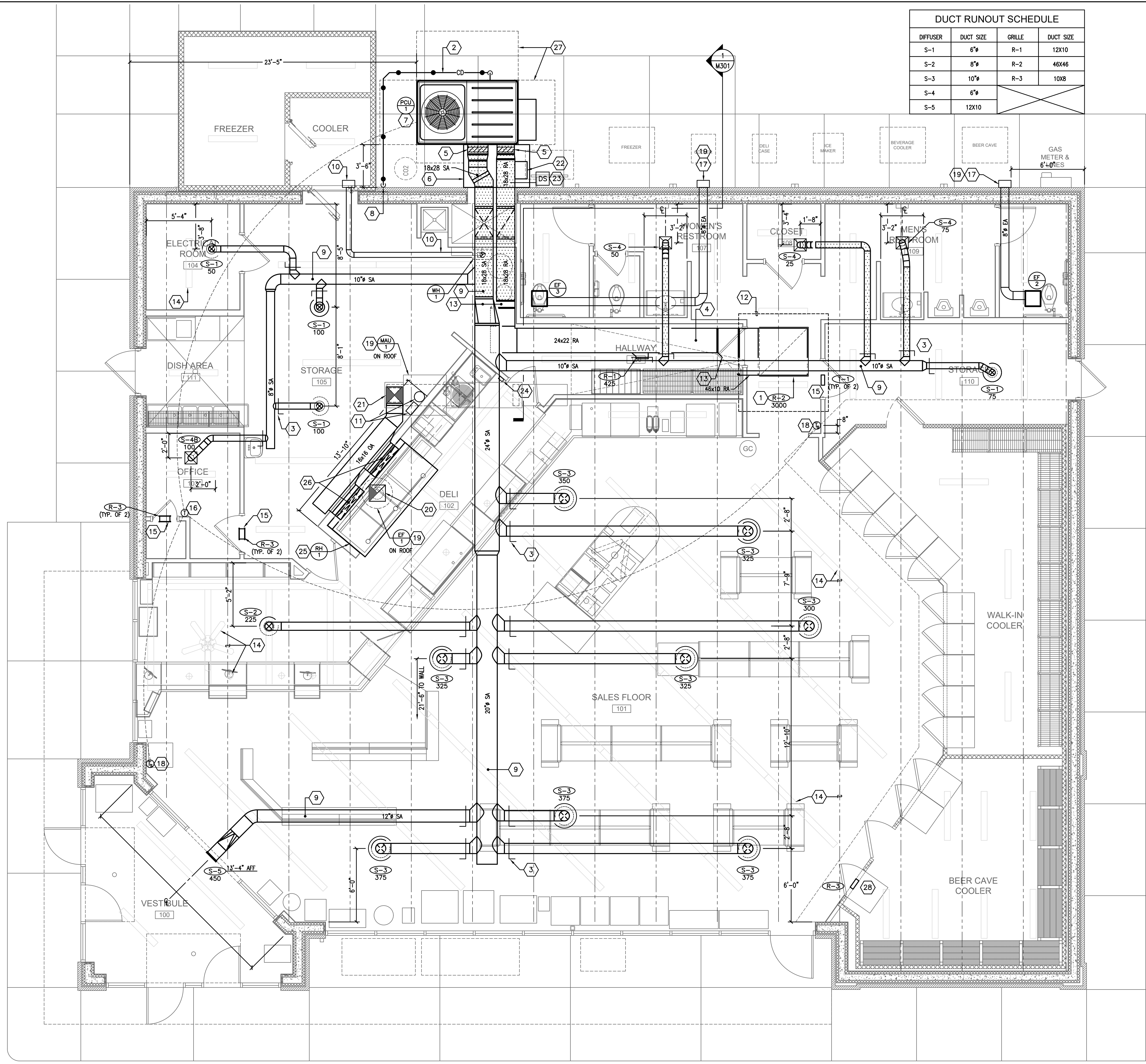
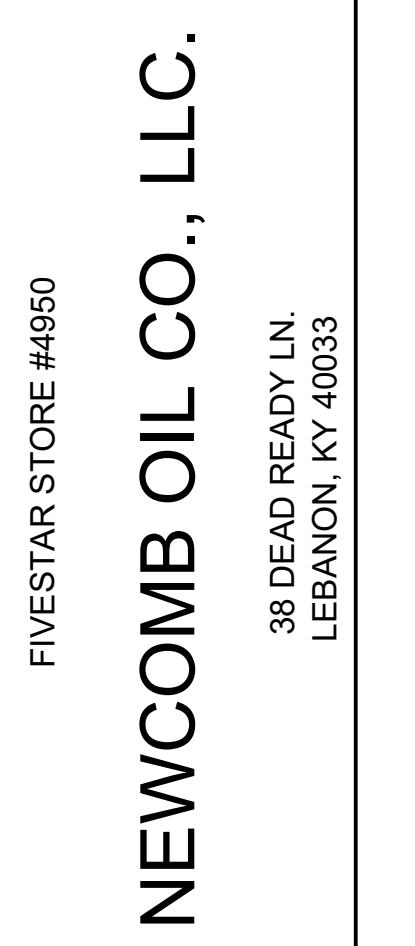
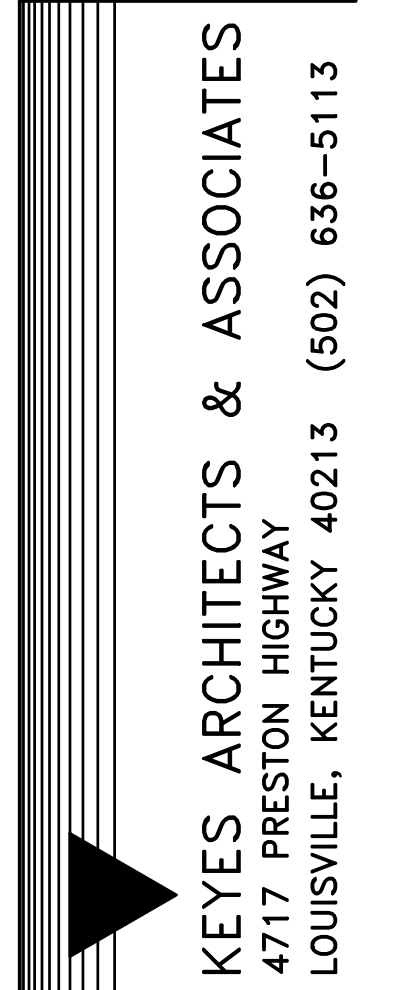
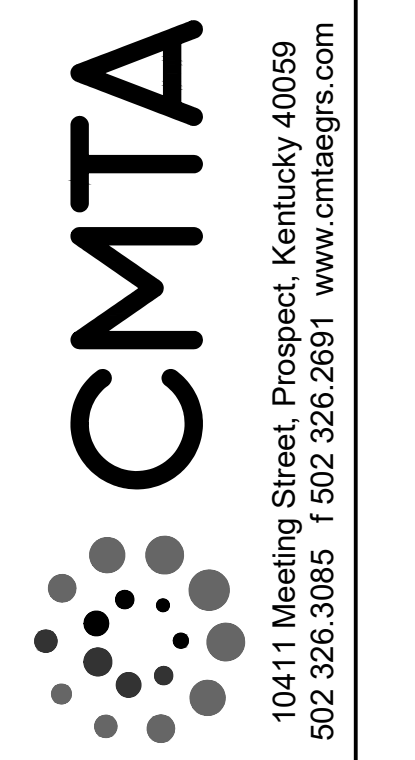
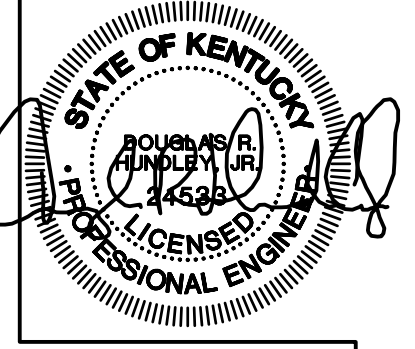
DUCT RUNOUT SCHEDULE			
DIFFUSER	DUCT SIZE	GRILLE	DUCT SIZE
S-1	6"	R-1	12X10
S-2	8"	R-2	46X46
S-3	10"	R-3	10X8
S-4	6"		
S-5	12X10		

- GENERAL NOTES:
- ALL OPEN-CEILING AREAS SHALL UTILIZE A RIGID DUCT CONNECTION (WITH SUPPORTS) TO DIFFUSER. DIFFUSER SHALL BE MOUNTED AT A TYPICAL ELEVATION OF 11'-0" UNLESS OTHERWISE SHOWN ON DRAWING. TYPICAL PLACEMENT OF DIFFUSER IN OPEN-CEILING AREAS ARE CENTERED BETWEEN JOISTS UNLESS SPECIFIC DIMENSION IS SHOWN ON DRAWING.
 - ALL RECTANGULAR, ROUND, AND FLEXIBLE DUCTS SHALL BE SIZED AS SHOWN ON THESE DRAWINGS. MINIMUM INTERNAL DIMENSIONS ARE GIVEN.
 - INSTALL TURNING VANES IN ALL 90 DEGREE SUPPLY AND RETURN DUCT ELBOWS AND AT ALL DUCT TEES.
 - CONDENSATE DRAIN LINES SHALL BE SLOPED AT A MINIMUM 1/8" PER LINEAR FOOT OF RUN. ALL DRAIN EXITS FROM PCU-1 SHALL INCLUDE A TRAP AND CLEAN-OUT PLUG.
 - CONTRACTOR SHALL HAVE ALL THERMOSTATS/TEMPERATURE SENSORS CALIBRATED TO MANUFACTURER'S SPECIFICATIONS PRIOR TO TURNING SYSTEM OVER TO OWNER.
 - BALANCE DIFFUSERS AND GRILLES TO AIRFLOWS INDICATED ON PLAN. PROVIDE AIR-BALANCE REPORT TO GENERAL CONTRACTOR.
 - MANUFACTURER'S RECOMMENDED CLEARANCES SHALL BE MAINTAINED FOR ALL MECHANICAL EQUIPMENT. ALL PIPING VALVES AND MANUAL VOLUME DAMPERS SHALL BE EASILY ACCESSIBLE.
 - FLEXIBLE DUCTWORK IS ALLOWED FOR USE ON CONCEALED DUCTWORK. REFER TO DETAIL SHEET FOR MORE INFORMATION.
 - HATCHED PORTION OF DUCTWORK SHALL BE WRAPPED WITH OWENS/CORNING ALL SERVICE FIBERGLASS DUCT WRAP - "FACED DUCT WRAP - TYPE 75", 3" THICK FIBERGLASS DUCT WRAP, WITH A MINIMUM R-VALUE OF 8, FACTORY LAMINATED TO A REINFORCED FOIL KRAFT VAPOR BARRIER. REFER TO INSULATION CHART ON SHEET M1.01 FOR INSTALLATION REQUIREMENTS.
 - ANY ROUND DUCTWORK EXPOSED TO VIEW SHALL HAVE SPIRAL OUTER SHELL, LOCK-SEAM CONSTRUCTION FABRICATED FROM PAINT GRIP GALVANIZED STEEL MEETING ASTM-527 STANDARDS. ANY DUCTWORK EXPOSED TO VIEW SHALL BE CONSTRUCTED OF G90 GALVANIZED STEEL AND SHALL BE SUPPORTED AS REQUIRED WITH AIRCRAFT CABLES WITH SELF-TIGHTENING LOCKS. EXPOSED METAL DUCT SHALL BE PREPPED AND PAINTED BY OWNER.
 - DUCTWORK, PLENUMS AND OTHER APPURTENANCES SHALL BE CONSTRUCTED OF THE MATERIALS OF THE MINIMUM WEIGHTS OR GAUGES AS REQUIRED BY THE LATEST SMACNA 2" W.G. STANDARD OR BELOW TABLE. WHEN GAUGE THICKNESS DIFFERS, THE HEAVIER GAUGE SHALL BE SELECTED. THE BELOW TABLE SHALL SERVE AS A MINIMUM.

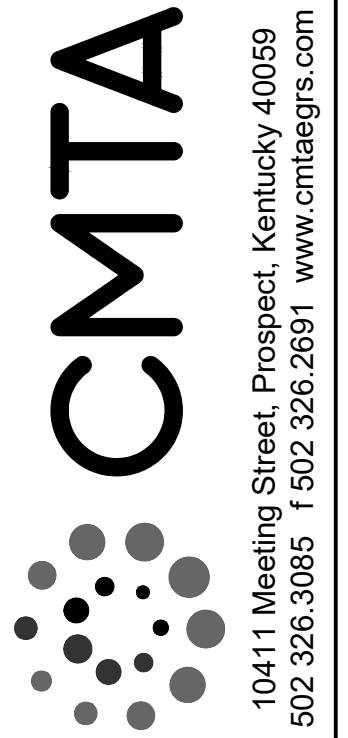
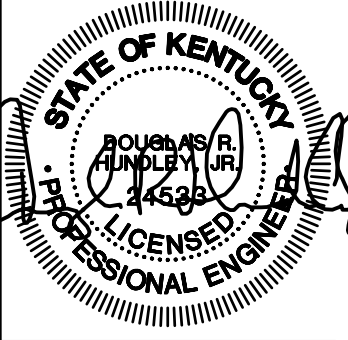
ROUND DIAMETER	DUCT GAUGE	RECTANGULAR WIDTH	DUCT GAUGE
3-12 INCHES	26 GA.	3-12 INCHES	26 GA.
13-18 INCHES	24 GA.	13-30 INCHES	24 GA.
19-28 INCHES	22 GA.	31-54 INCHES	22 GA.

- MECHANICAL TAG NOTES:
- ORIENT RETURN GRILLE SO THAT OPENING IS DIRECTED TOWARD HALLWAY ENTRY (AWAY FROM BATHROOMS). PAINT INTERIOR OF RETURN PLENUM WITH FLAT BLACK PAINT.
 - NON-INSULATED PVC CONDENSATE LINE. PROVIDE SPLIT RING CLAMP EVERY 4'-0" ON CENTER AND CHANGE OF DIRECTION.
 - PROVIDE HIGH EFFICIENCY TAKEOFFS AND VOLUME DAMPERS IN ALL BRANCH DUCT WORK. REFER TO DETAIL ON SHEET M3.01 FOR ADDITIONAL INFORMATION. TYPICAL OF ALL.
 - INSTALL RETURN DUCTWORK AS HIGH AS POSSIBLE, HOLDING TIGHT TO STRUCTURE. BOTTOM OF DUCT WILL BE AT A MINIMUM OF 9'-0".
 - PROVIDE FLEX CONNECTION AT UNIT FOR SUPPLY/RETURN DUCTWORK.
 - CONTRACTOR TO INSTALL A 20 GAUGE RAIN SHIELD OVER ALL EXTERIOR DUCTWORK. PROVIDE WITH 16"WX32"H ACCESS DOOR FOR DUCT MOUNTED SMOKE DETECTOR. POSITION DOOR AS CLOSE TO UNIT AS POSSIBLE. REFER TO SECTION VIEW ON SHEET M3.01 FOR ADDITIONAL INFORMATION.
 - PROVIDE UNIT WITH 14" TALL, FULL-LENGTH EQUIPMENT CURB. DO NOT EXTEND CURB PAST UNIT. CONCRETE PAD WILL BE SLOPED 1/4" PER FOOT.
 - CONTRACTOR TO INSTALL A 2" OPEN RECEPTACLE IN STORM LINE. SPILL PCU-1 CONDENSATE TO OPEN RECEPTACLE. COORDINATE INSTALLATION WITH BUILDING CONTRACTOR.
 - SUPPLY DUCT MAIN SHALL BE INSTALLED TO FOLLOW SLOPE OF ROOF WITHIN JOIST SPACE. ALL BRANCH DUCTWORK SHALL BE COORDINATED WITH JOIST OPENINGS.
 - CONCENTRIC WATER HEATER FLUE IS TO BE ROUTED FROM HEATER TO WALL AS SHOWN. INSTALLATION AND TERMINATION SHALL BE PER MANUFACTURER'S RECOMMENDATIONS. HORIZONTAL OFFSET IS TO BE AS HIGH AS POSSIBLE ABOVE BATHROOM CEILING WITH FINAL TERMINATION ABOVE OUTSIDE COOLERS. MAINTAIN 10'-0" CLEARANCE FROM TERMINATION TO PCU-1'S INTAKE.
 - MOUNT FIRE SUPPRESSION SYSTEM FOR RH-1 AS HIGH AS POSSIBLE. SEE SHEET M101 FOR MORE INFORMATION.
 - SPACE IN THIS AREA IS LIMITED. COORDINATE DUCT ROUTING WITH CEILING AND STRUCTURAL JOISTS.
 - INSTALL ECCENTRIC TRANSITION DUCT FITTING. SLOPE OF TRANSITION IS NOT TO EXCEED 1:4.
 - CEILING FANS, STRUCTURAL JOISTS, AND LIGHTS ARE SHOWN FOR COORDINATION PURPOSES ONLY. (TYPICAL)
 - TRANSFER AIR GRILLES CENTERED ABOVE DOOR. REFER TO DETAIL SHEET.
 - INSTALL PCU-1 THERMOSTAT IN LOCATION SHOWN CENTERED BETWEEN CLOSET DOOR JAMB AND EDGE OF DRYWALL. INSTALL AT 60" AFF. THERMOSTAT NEEDS TO CONTROL HOT GAS REHEAT ON THE HVAC UNIT. DO SO BY CONNECTING U1 AND U11 ON THE THERMOSTAT IN THE GENERAL MANAGER'S OFFICE TO TERMINAL 7 AND 12 ON THE LTB BOARD LOCATED ON THE HVAC UNIT.
 - EXHAUST CAP AT ELEVATION OF 10'-8". REFER TO DETAIL SHEET FOR MORE INFORMATION.
 - INSTALL PCU-1 TEMPERATURE SENSOR IN LOCATION SHOWN. COORDINATE ELEVATION WITH OWNER PRIOR TO INSTALLATION.
 - MAINTAIN A 10'-0" MINIMUM DISTANCE FROM EXHAUST FAN OUTLET TO PCU-1/MAU-1'S INTAKE. ANY ROOF EQUIPMENT MUST MAINTAIN A 10'-0" MINIMUM DISTANCE BETWEEN EQUIPMENT AND EDGE OF ROOF.
 - TRANSITION GREASE DUCT FROM RH-1 HOOD OPENING TO 14" RISER. TRANSITION DUCTWORK TO FIT ROOF CURB PRIOR TO ROOF PENETRATION. ROOF CUTOUT SHALL BE 24"X24" FOR CURB. GREASE DUCT IS TO BE #16 GAUGE WELDED DUCT. PROVIDE CLEANOUTS AT EACH CHANGE IN DIRECTION. 3M FIREMASTER GREASE DUCT WRAP OR ALTERNATE FULLY ENCAPSULATED AND U.L. CLASSIFIED FOR 0" CLEARANCE TO COMBUSTIBLES (UL R14229) AND ENGINEER APPROVED.
 - 16X16 OA DUCT UP TO MAU-1. TRANSITION DUCTWORK TO FIT ROOF CURB BEFORE ROOF PENETRATION. ROOF CUTOUT FOR CURB SHALL BE 18"X18".
 - FIELD MOUNT FACTORY MANUFACTURED, BARAMETRIC RELIEF HOOD TO RETURN DUCTWORK.
 - INSTALL SMOKE DETECTOR UPSTREAM OF BARAMETRIC RELIEF HOOD.
 - PULL STATION LOCATION FOR RANGE HOOD FIRE SUPPRESSION SYSTEM.
 - RANGE HOOD IS OWNER FURNISHED, OWNER INSTALLED.
 - 36"X5" MAKEUP AIR DUCT ROUTED DOWN. TERMINATION POINT SHALL BE BELOW COOKING SURFACE. ALL ELECTRICAL AND PLUMBING CONNECTIONS MUST BE LOCATED BELOW THE BACK RETURN AIR PLENUM.
 - MAINTAIN EQUIPMENT MANUFACTURER'S RECOMMENDED SERVICE AREA.
 - TRANSFER GRILLE IS TO BE MOUNTED ABOVE COOLER ROOF, FACING OUT. PROVIDE GRILLE WITH 1/2" MESH SCREEN.

PROJECT NO:
20-4089
DRAWN BY:
WTD
DATE:
01/15/2021

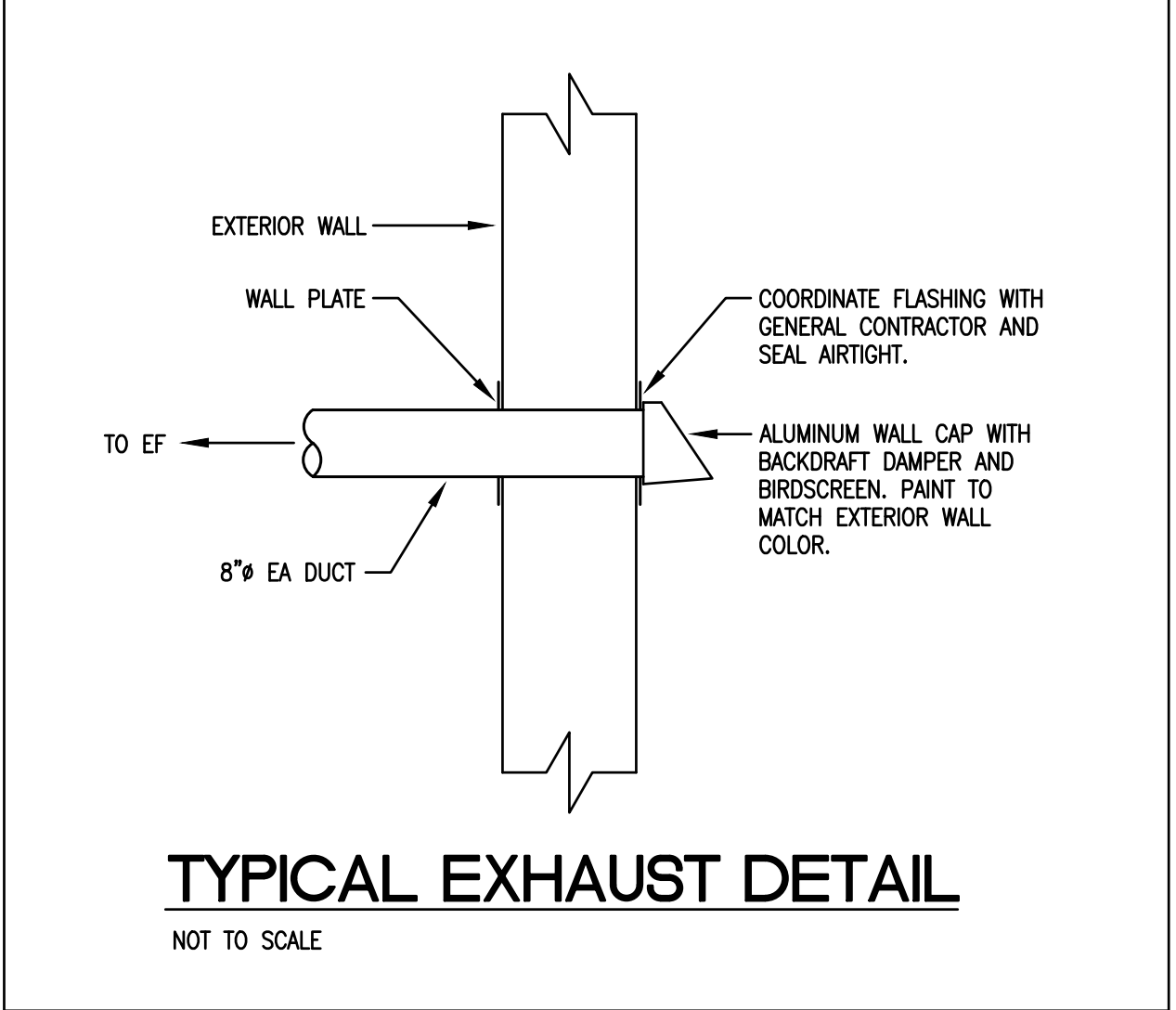
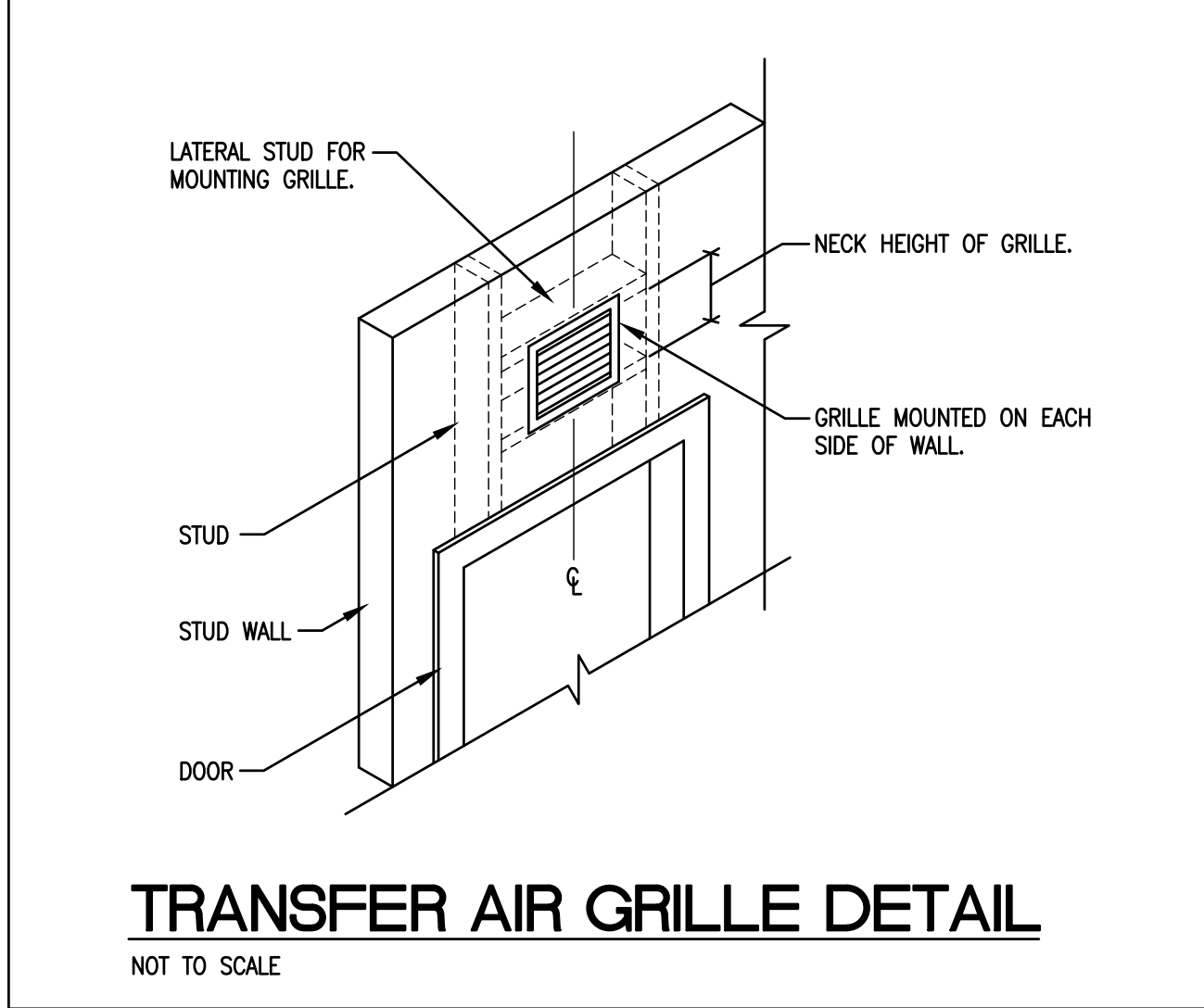
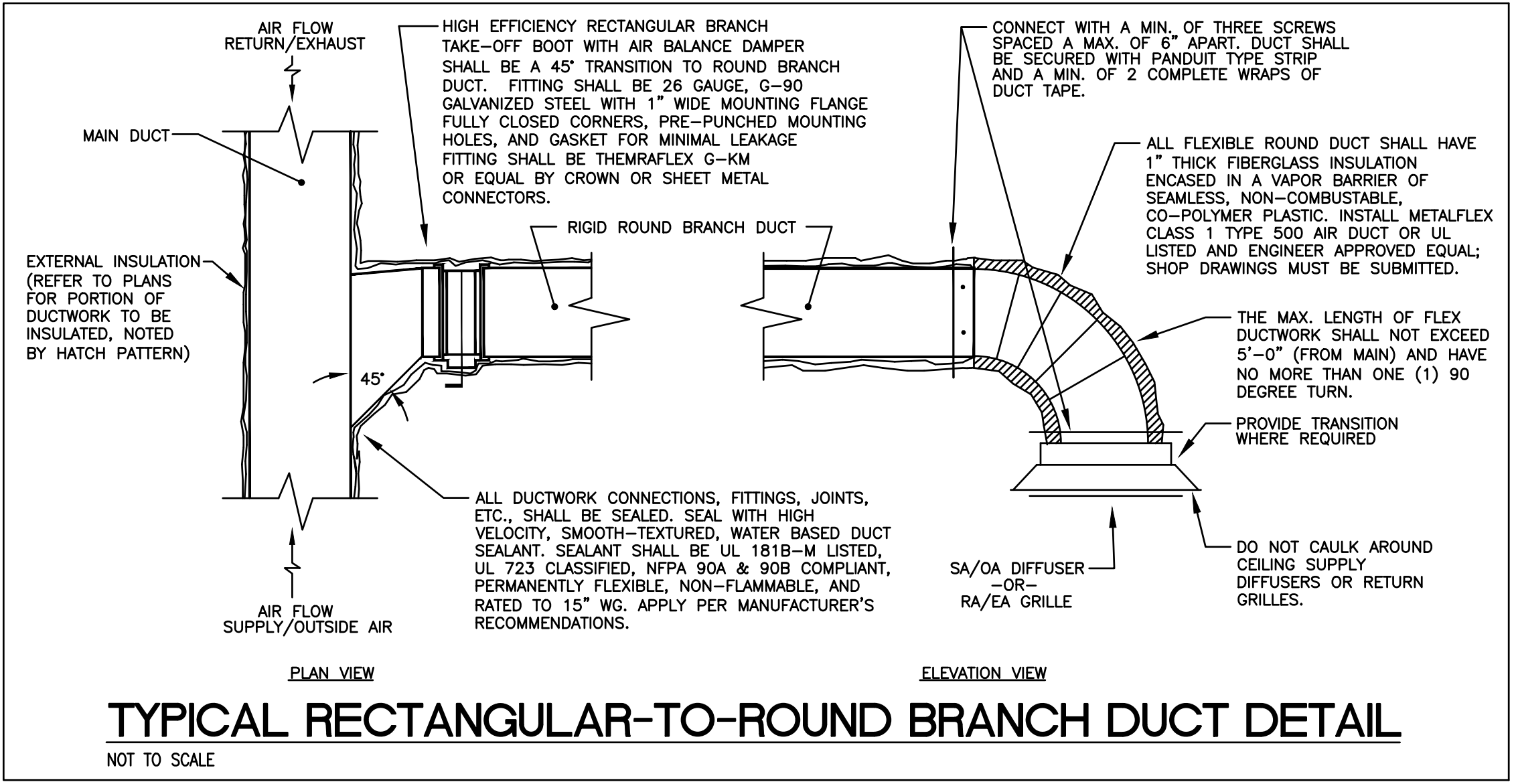
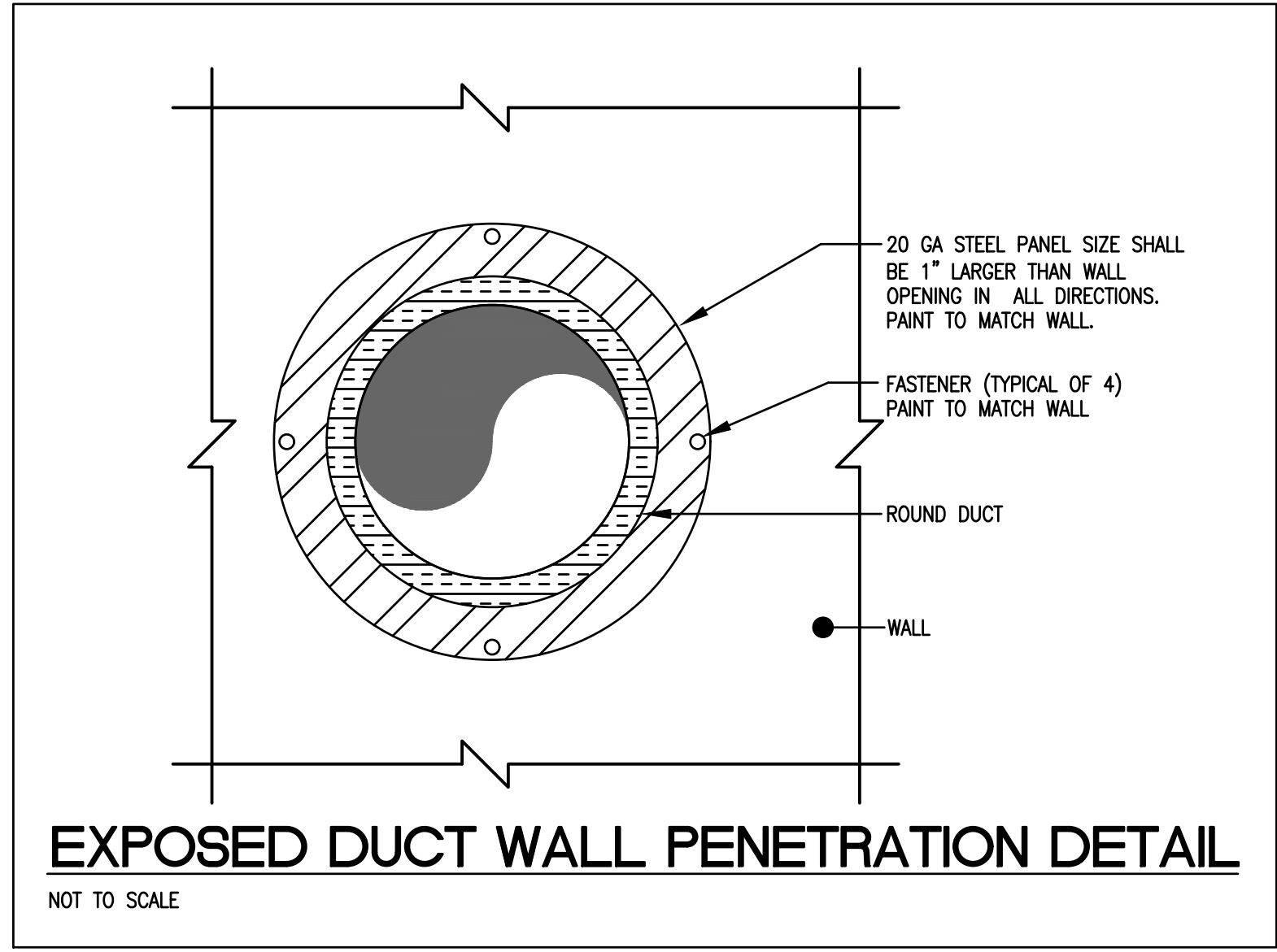


01 FLOOR PLAN - MECHANICAL
SCALE: 1/4" = 1'-0"

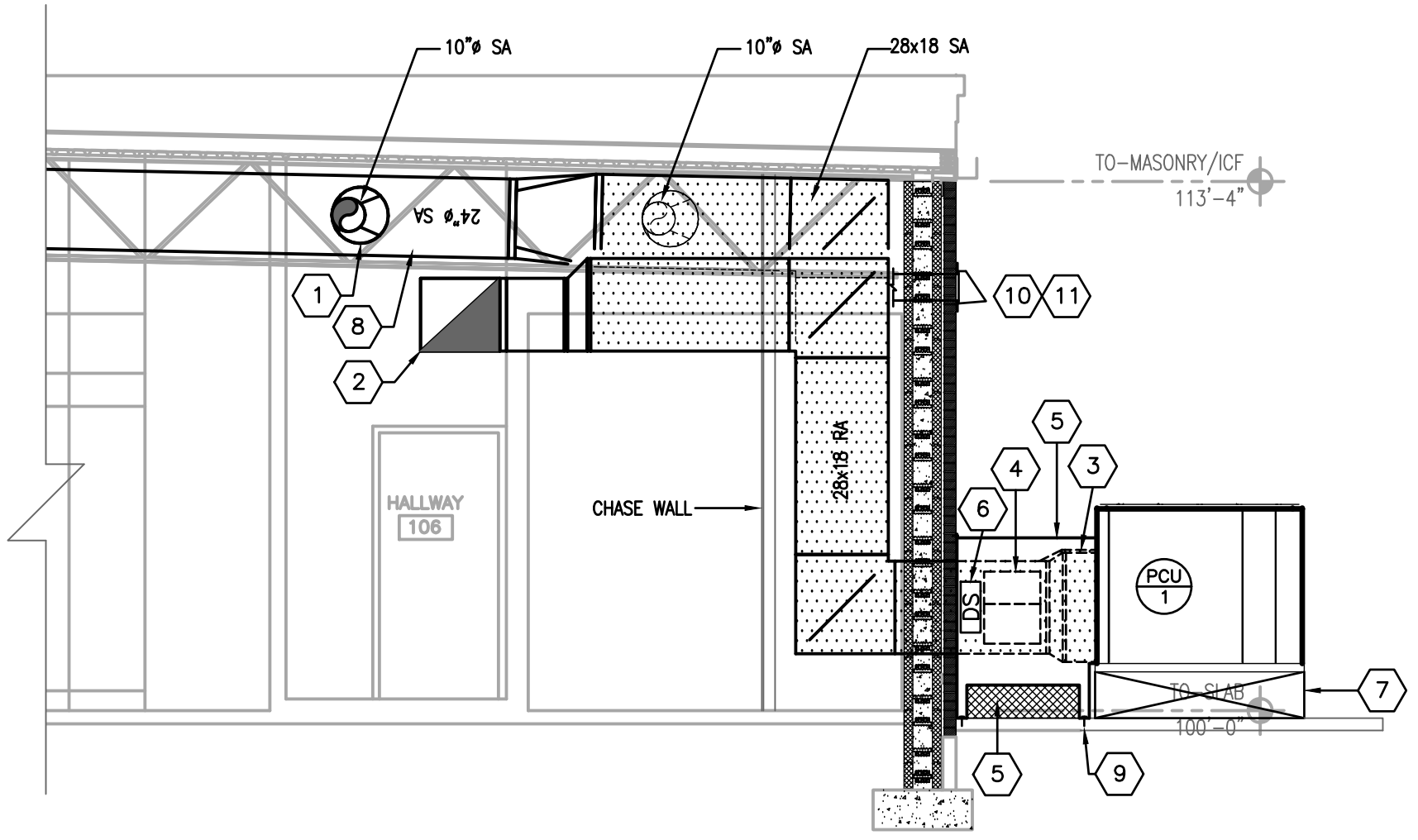


KEYES ARCHITECTS & ASSOCIATES
4717 PRESTON HIGHWAY
LOUISVILLE, KENTUCKY 40213 (502) 636-5113

NEWCOMB OIL CO., LLC.
38 DEAD READY LN.
LEBANON, KY 40033



- GENERAL NOTES:**
- ALL OPEN-CEILING AREAS SHALL UTILIZE A RIGID DUCT CONNECTION (WITH SUPPORTS) TO DIFFUSER. DIFFUSER SHALL BE MOUNTED AT A TYPICAL ELEVATION OF 11'-0" UNLESS OTHERWISE SHOWN ON DRAWING. TYPICAL PLACEMENT OF DIFFUSER IN OPEN-CEILING AREAS ARE CENTERED BETWEEN JOISTS UNLESS SPECIFIC DIMENSION IS SHOWN ON DRAWING.
 - ALL RECTANGULAR, ROUND, AND FLEXIBLE DUCTS SHALL BE SIZED AS SHOWN ON THESE DRAWINGS. MINIMUM INTERNAL DIMENSIONS ARE GIVEN.
 - INSTALL TURNING VANES IN ALL 90 DEGREE SUPPLY AND RETURN DUCT ELBOWS AND AT ALL DUCT TEES.
 - CONDENSATE DRAIN LINES SHALL BE SLOPED AT A MINIMUM 1/8" PER LINEAR FOOT OF RUN. ALL DRAIN EXITS FROM PCU-1 SHALL INCLUDE A TRAP AND CLEAN-OUT PLUG.
 - CONTRACTOR SHALL HAVE ALL THERMOSTATS/TEMPERATURE SENSORS CALIBRATED TO MANUFACTURER'S SPECIFICATIONS PRIOR TO TURNING SYSTEM OVER TO OWNER.
 - BALANCE DIFFUSERS AND GRILLES TO AIRFLOWS INDICATED ON PLAN. PROVIDE AIR-BALANCE REPORT TO GENERAL CONTRACTOR.
 - MANUFACTURER'S RECOMMENDED CLEARANCES SHALL BE MAINTAINED FOR ALL MECHANICAL EQUIPMENT. ALL PIPING VALVES AND MANUAL VOLUME DAMPERS SHALL BE EASILY ACCESSIBLE.
 - FLEXIBLE DUCTWORK IS ALLOWED FOR USE ON CONCEALED DUCTWORK. REFER TO DETAIL SHEET FOR MORE INFORMATION.
 - HATCHED PORTION OF DUCTWORK SHALL BE WRAPPED WITH OWENS/CORNING ALL SERVICE FIBERGLASS DUCT WRAP, "FACED DUCT WRAP - TYPE 75", 3" THICK FIBERGLASS DUCT WRAP, WITH A MINIMUM R-VALUE OF 8, FACTORY LAMINATED TO A REINFORCED FOL KRAFT VAPOR BARRIER. REFER TO INSULATION CHART ON SHEET M1.01 FOR INSTALLATION REQUIREMENTS.
 - ANY ROUND DUCTWORK EXPOSED TO VIEW SHALL HAVE SPIRAL OUTER SHELL, LOCK-SEAM CONSTRUCTION FABRICATED FROM PAINT GRIP GALVANIZED STEEL MEETING ASTM-527 STANDARDS. ANY DUCTWORK EXPOSED TO VIEW SHALL BE CONSTRUCTED OF G90 GALVANIZED STEEL AND SHALL BE SUPPORTED AS REQUIRED WITH AIRRAFT CABLES WITH SELF-TIGHTENING LOCKS. EXPOSED METAL DUCT SHALL BE PREPPED AND PAINTED BY OWNER.
 - DUCTWORK, PLENUMS AND OTHER APPURTENANCES SHALL BE CONSTRUCTED OF THE MATERIALS OF THE MINIMUM WEIGHTS OR GAUGES AS REQUIRED BY THE LATEST SMACNA 2" W.G. STANDARD OR BELOW TABLE. WHEN GAUGE THICKNESS DIFFERS, THE HEAVIER GAUGE SHALL BE SELECTED. THE BELOW TABLE SHALL SERVE AS A MINIMUM.
- | ROUND DIAMETER | DUCT GAUGE | RECTANGULAR WIDTH | DUCT GAUGE |
|----------------|------------|-------------------|------------|
| 3-12 INCHES | 26 GA. | 3-12 INCHES | 26 GA. |
| 13-18 INCHES | 24 GA. | 13-30 INCHES | 24 GA. |
| 19-28 INCHES | 22 GA. | 31-54 INCHES | 22 GA. |
- MECHANICAL TAG NOTES:**
- PROVIDE HIGH EFFICIENCY TAKEOFFS AND VOLUME DAMPERS IN ALL BRANCH DUCT WORK. REFER TO DETAIL ON THIS SHEET FOR ADDITIONAL INFORMATION. TYPICAL OF ALL.
 - INSTALL RETURN DUCTWORK AS HIGH AS POSSIBLE, HOLDING TIGHT TO STRUCTURE. BOTTOM OF DUCT WILL BE AT A MINIMUM OF 9'-0".
 - PROVIDE FLEX CONNECTION AT UNIT FOR SUPPLY/RETURN DUCTWORK.
 - FIELD MOUNT FACTORY-MANUFACTURED, BAROMETRIC RELIEF HOOD TO RETURN DUCTWORK.
 - CONTRACTOR TO INSTALL A 20 GAUGE RAIN SHIELD OVER ALL EXTERIOR DUCTWORK. PROVIDE WITH 16"x32" ACCESS DOOR FOR DUCT MOUNTED SMOKE DETECTOR. POSITION DOOR AS CLOSE TO UNIT AS POSSIBLE. PROVIDE 34"x10" OPENING AT BOTTOM OF RAIN SHIELD (ON BOTH SIDES) TO ALLOW FOR RELIEF AIR WHEN UNIT IS IN ECONOMIZER MODE. INSTALL EXPANDED METAL GRATE OVER OPENINGS.
 - INSTALL SMOKE DETECTOR UPSTREAM OF BAROMETRIC RELIEF HOOD.
 - PROVIDE UNIT WITH 14" TALL, FULL-LENGTH EQUIPMENT CURB. DO NOT EXTEND CURB PAST UNIT. CONCRETE PAD WILL BE SLOPED 1/4" PER FOOT.
 - SUPPLY DUCT MAIN SHALL BE INSTALLED TO FOLLOW SLOPE OF ROOF WITHIN JOIST SPACE. ALL BRANCH DUCTWORK SHALL BE COORDINATED WITH JOIST OPENINGS.
 - FASTEN RAIN SHIELD TO CONCRETE SLAB.
 - EXHAUST CAP AT ELEVATION OF 10'-8". REFER TO DETAIL THIS SHEET FOR MORE INFORMATION.
 - MAINTAIN A 10'-0" MINIMUM DISTANCE FROM EXHAUST FAN OUTLET TO MECHANICAL EQUIPMENT'S INTAKE.



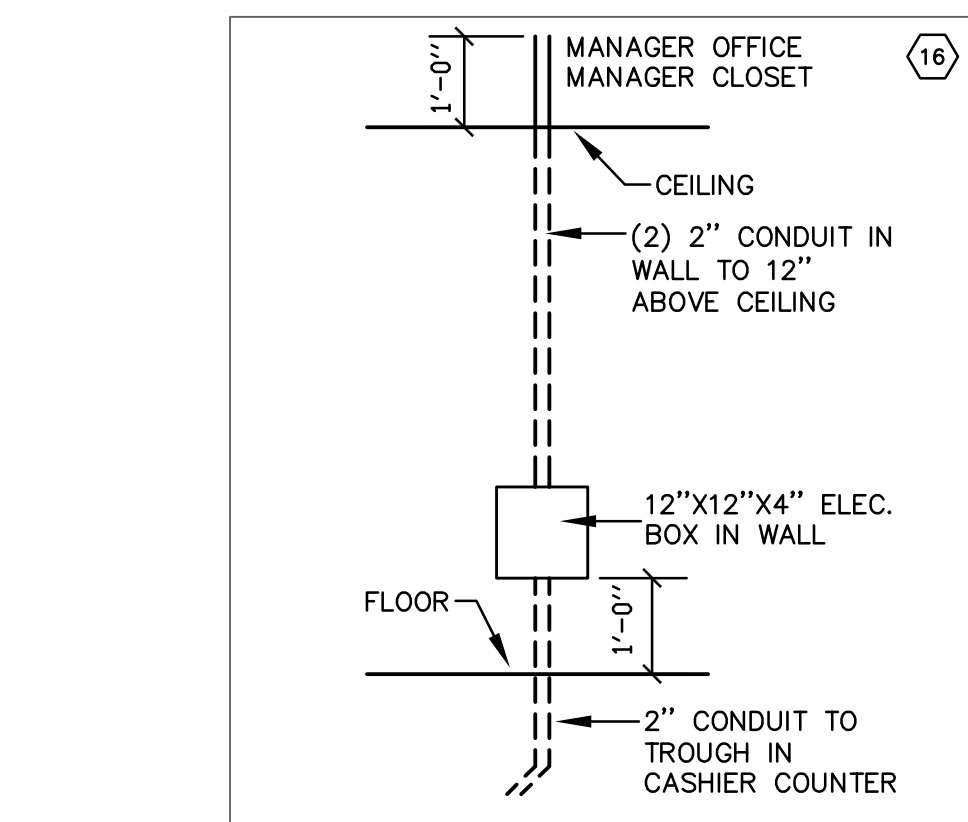
MECHANICAL - SECTION VIEW
SCALE: 1/4"=1'-0"

1
M201

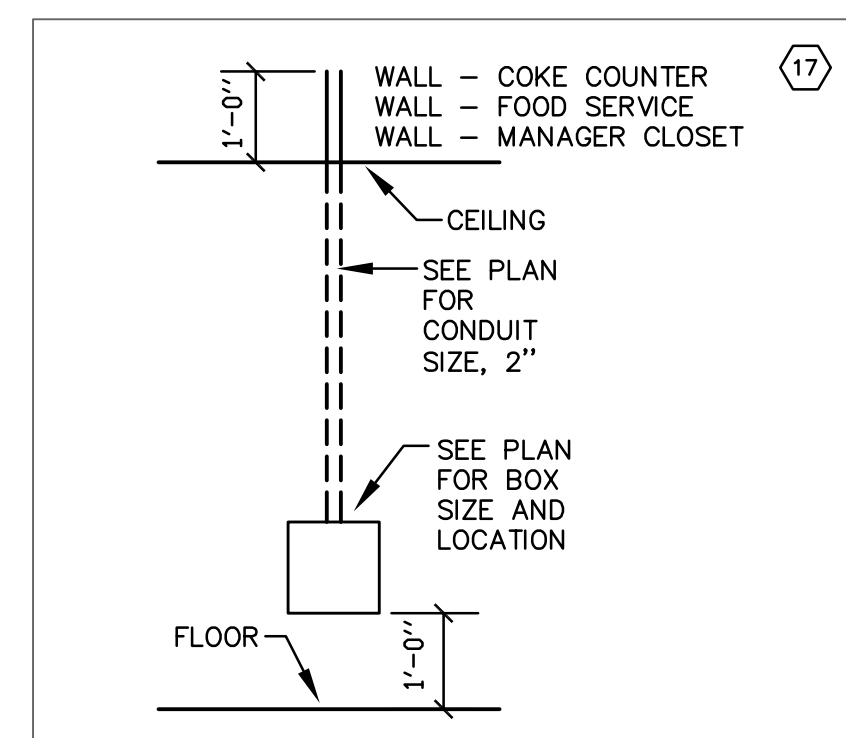
LIGHT FIXTURE SCHEDULE

TYPE	DESCRIPTION	MODEL	LAMPS	REMARKS	VOLTAGE
A4 78 FIXTURES	4' LED WITH HIGH STRENGTH POLYMER REFLECTOR AND HOUSING WITH TROUGH WIRING CHANNEL AND SURFACE OR SUSPENDED MOUNTING. PROVIDE 4000 LUMEN PACKAGE WITH 3500K COLOR TEMPERATURE.	LSI DV HD CV UE	LED'S INCLUDED.	PROVIDE WITH A MINIMUM 80 CRI AND 10 YEAR WARRANTY MOUNT AT 11' ABOVE FINISHED FLOOR.	120V
C 4 FIXTURES	SURFACE VAPOR TIGHT LED WITH IMPACT RESISTANT FIBERGLASS HOUSING AND POLYCARBONATE LENS. PROVIDE WITH 3500K COLOR TEMPERATURE AND 6000 LUMEN OUTPUT.	LSI EG3 4 S LED HD CV UE	LED'S INCLUDED.	PROVIDE WITH A MINIMUM 80 CRI AND MINIMUM LM-80 RATING.	120V
EB 1 FIXTURE	LED COMPATIBLE, 125W, 90 MINUTE, SINE WAVE INVERTER WITH MAINTENANCE FREE BATTERY.	IOTA IIS 125 SM	NO LAMPS	PROVIDE SURFACE MOUNTED IN STORAGE ROOM AS INDICATED.	120V
F 2 FIXTURES	6" RECESSED LED DOWNLIGHT WITH SPECIFICATION GRADE REFLECTOR AND GALVANIZED STEEL FRAME.	RP 61100358/1C630C	LED'S INCLUDED.		120V
G 12 FIXTURES	LED SURFACE LIGHT WITH 5700K COLOR TEMPERATURE, DIE CAST ALUMINUM HOUSING WITH SYMMETRIC TYPE S DISTRIBUTION.	LSI CRU SM SC LED HD CV UE MSV	LED'S INCLUDED.	PROVIDE WITH A MINIMUM 69 CRI. PROVIDE WITH A MINIMUM 90 LUMENS PER WATT PROVIDE WITH A MINIMUM 90X LUMEN MAINTENANCE AT 50,000 HOURS OF USE.	120V
H 7 FIXTURES	LED COVE LIGHTING.	(1) LSI-LDL3-12-LED-CV-24 (6) LSI LDL3-48-LED-CV-24 (6) LSI 12' JUMPER 35148302 (1) LSI RPSE40 LED 120 POWER SUPPLY (2) LSI RPSE100 LED 120 POWER SUPPLY	LED'S INCLUDED.	PROVIDE LENGTH AS INDICATED ON PLANS. PROVIDE WITH A MINIMUM 85 CRI.	120V
J 7 FIXTURES	18" STEMS WITH CANDY.	(7) LSI-AUP-S-LED-HD-NW ACF16 GWT FROSTED LENS (7) LSI BC 600 3 GWT CANDY	LED'S INCLUDED.	PROVIDE WITH 18" DOWN ROD FOR MOUNTING BELOW BEAMS	120V
K 8 FIXTURES	100 WATT 9" PENDANT WITH GALVANIZED HOUSING AND BLACK CORD.	BARNLIGHT BLE-C-LAR PC. LED12 975 SBK 1250 FL 120	LED'S INCLUDED.	COORDINATE SUSPENSION LENGTH WITH OWNER AND ARCHITECT.	120V
M 3 FIXTURES	WALL MOUNT LED WITH CAST ALUMINUM HOUSING AND TEMPERED GLASS LENS.	LSI PVMS LED HD CV UE BLK	LED'S INCLUDED.		120V
	TYPE 'D' DELETED.				
X1 1 FIXTURE	EXIT LIGHT WITH DUAL HEAD EMERGENCY LIGHTING AND BATTERY BACK UP.	LSI PRX RU BK LD11	LED'S INCLUDED.	PROVIDE WITH BATTERY CAPACITY TO POWER ALL ASSOCIATED EMERGENCY HEADS FOR 90 MINUTES.	120V
XX 2 FIXTURES	DUAL HEAD EXTERIOR REMOTE EMERGENCY LIGHTING HEADS	LSI 2TMDL BLK	LAMPS INCLUDED	PROVIDE BATTERY BACK UP FROM NEAREST EXIT SIGN AS INDICATED ON PLANS.	120V
X2 3 FIXTURES	EXIT LIGHT WITH DUAL HEAD EMERGENCY LIGHTING AND BATTERY BACK UP.	LSI LPRX R U BK LD11 R	LED'S INCLUDED.	PROVIDE WITH BATTERY CAPACITY TO POWER ALL ASSOCIATED EMERGENCY HEADS FOR 90 MINUTES.	120V
XX2 2 FIXTURES	SINGLE HEAD EXTERIOR REMOTE EMERGENCY LIGHTING HEADS	LSI TMDL VI BLK	LAMPS INCLUDED	PROVIDE BATTERY BACK UP FROM NEAREST EXIT SIGN AS INDICATED ON PLANS.	120V
CEILING FANS 3 FIXTURES		MEJA 52" CEILING FAN, FLUSH MOUNTED CEILING, WHITE			

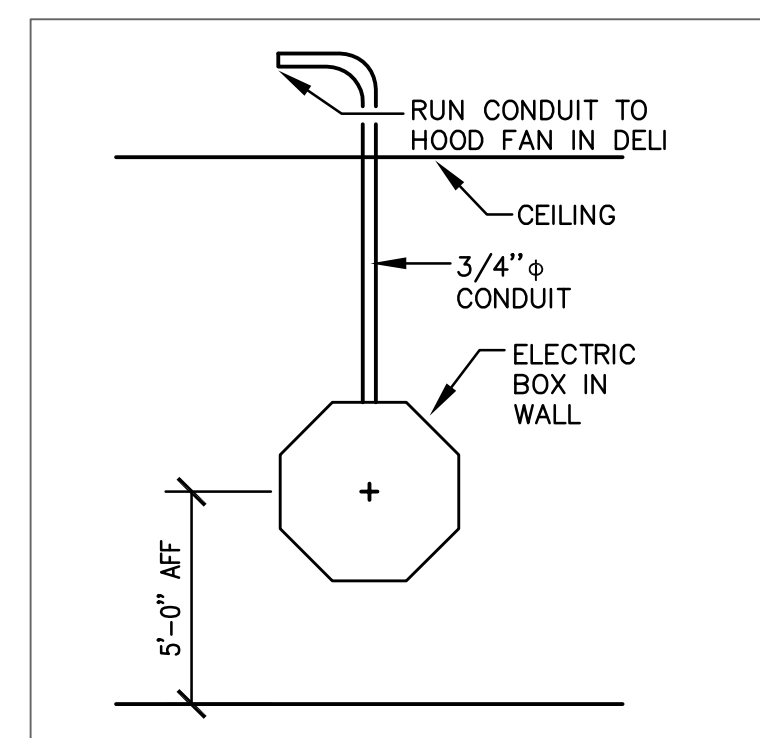
EXTERIOR LIGHTING TIMELOCK:
PROVIDE INTERMATIC ET9015C SINGLE CIRCUIT 365 DAY TIME CLOCK FOR EXTERIOR LIGHTING THROUGH SHUNT TRIP FUNCTION OF PANEL 'D1'



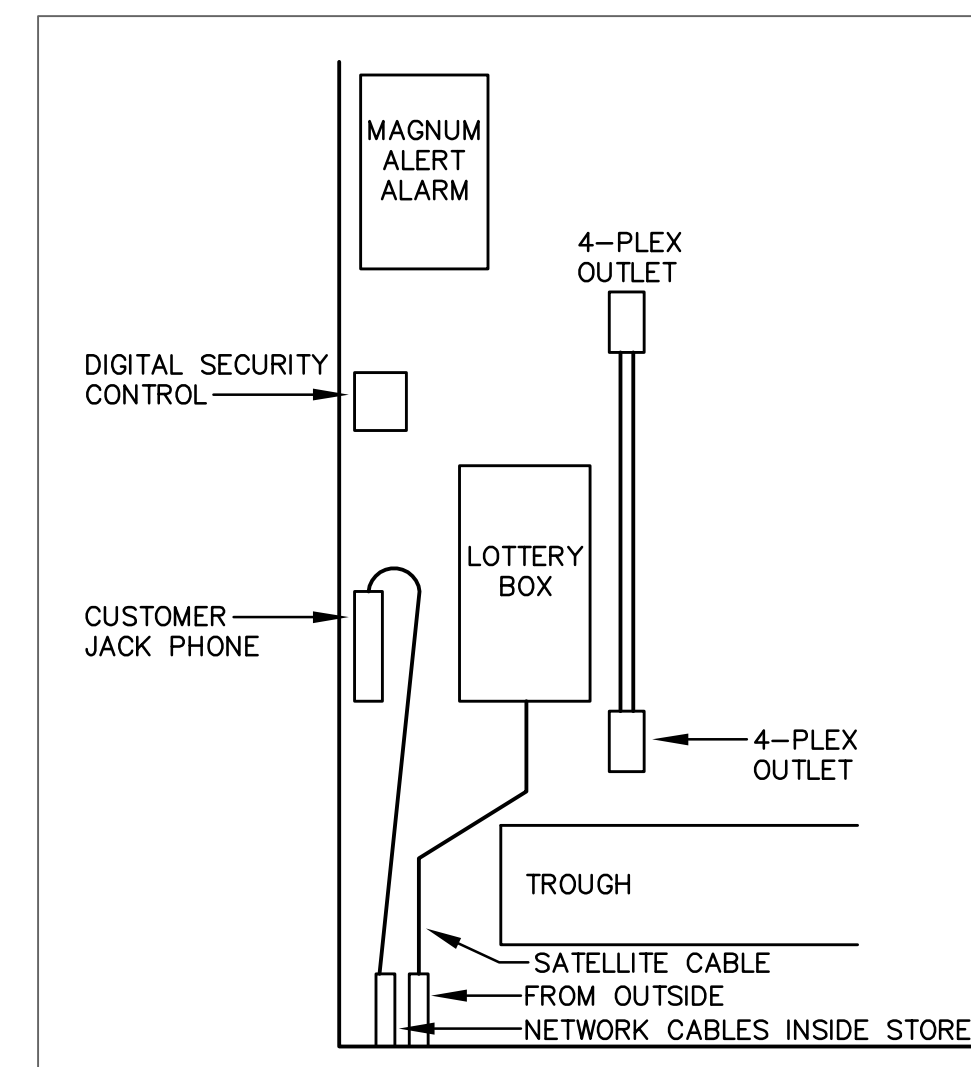
01 WALL BOX DETAIL
E100 NO SCALE



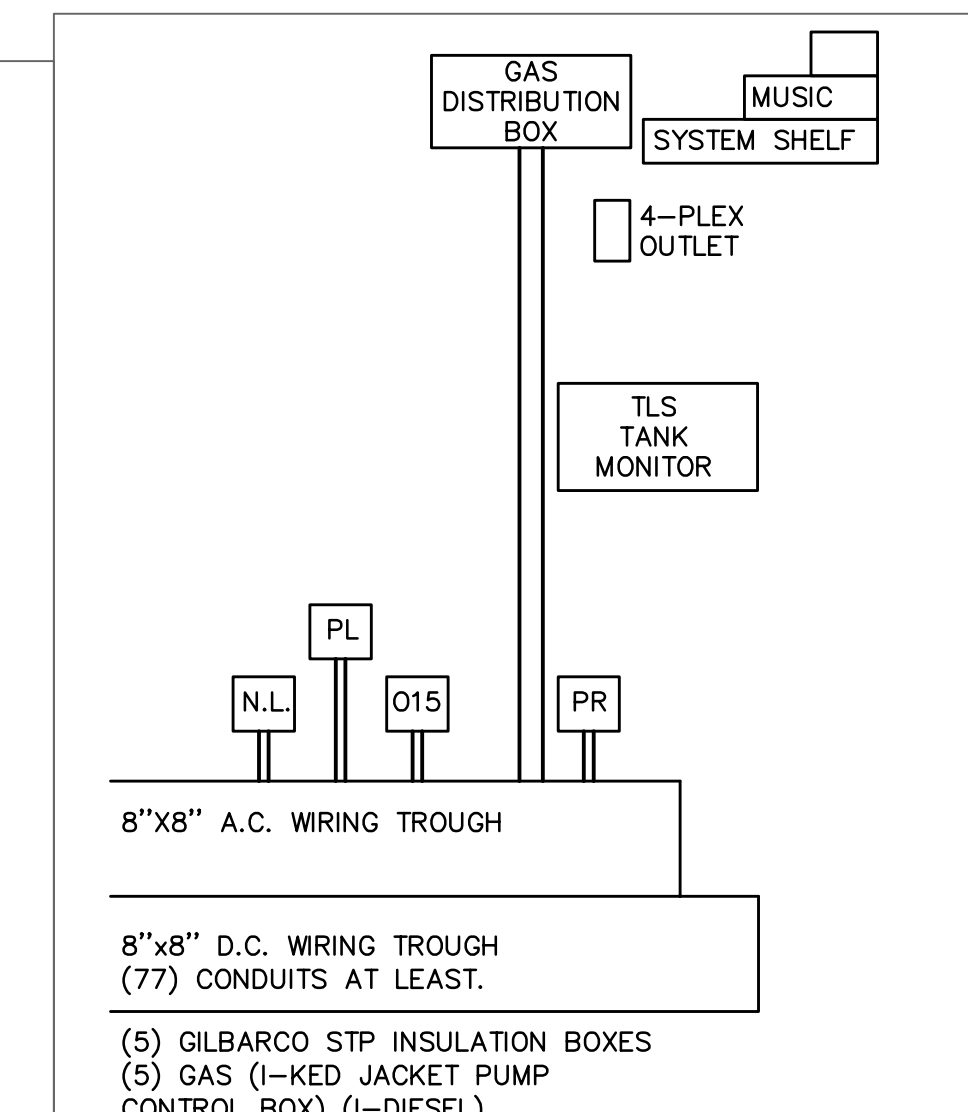
02 WALL BOX DETAIL
E100 NO SCALE



03 DELI HOOD FAN SAFETY SWITCH DETAIL
E100 NO SCALE



04 PART. ELEC. ROOM TROUGH ELEVATION
E100 NO SCALE



05 PART. ELEC. ROOM TROUGH ELEVATION
E100 NO SCALE

SYSTEM	ITEM	DEVICE MODEL & REFER TO SPEC. IF NONE LISTED	BACKBOX COVER IF APPLICABLE	MOUNTING HEIGHT	DRAWING SYMBOL	
SWITCHES	LIGHT SWITCH GENERAL PURPOSE			4'-0"	⊕	
	DIMMER SWITCH			4'-0"	⊕	
	THREE-WAY SWITCH			4'-0"	⊕	
	NEW TECHNOLOGY ULTRASONIC WALL MOUNTED TYPE OCCUPANCY SENSOR	ENHANCER/TO 4049-221		4'-0"	⊕	
	FLOOR LIGHT SWITCH ILLUMINATED WHEN DOOR IS OPEN			4'-0"	⊕	
	CEILING MOUNTED OCCUPANCY SENSOR	AND ELECTRIC LIGHT ALERT SMART SWITCH - L08449		4'-0"	⊕	
LIGHTING	2'-0" FLUORESCENT WALL MOUNT	SEE SCHEDULE		6'-6"	⊕	
	2"x2" FLUORESCENT TROFFER	SEE SCHEDULE		CEIL.	⊕	
	2"x4" FLUORESCENT TROFFER	SEE SCHEDULE		CEIL.	⊕	
	1"x4" FLUORESCENT TROFFER	SEE SCHEDULE		CEIL.	⊕	
	DOWNLIGHT	SEE SCHEDULE		CEIL.	⊕	
	EXIT LIGHT (CEILING, WALL MOUNT)	SEE SCHEDULE		AS NOTED	⊕	
POWER OUTLETS	SIMPLEX			1'-6"	⊕	
	DUPLEX - SAFETY TYPE			1'-6"	⊕	
	DUPLEX			1'-6"	⊕	
	DUPLEX (ABOVE COUNTERTOP)			8" ABL.	⊕	
	DUPLEX WITH INTEGRAL GROUND FAULT PROTECTION			1'-6"	⊕	
	GANG RECEPTACLE IN COMBINATION WITH SWITCH (PROVIDE DIVIDER IF LIGHTING CIRCUIT IS 277V)			4'-0"	⊕	
	QUADRUPLX RECEPTACLE			1'-6"	⊕	
	JUNCTION BOX			AS NOTED	⊕	
	208/1P RECEPTACLE, AS NOTED			AS NOTED	⊕	
	208/3P RECEPTACLE, AS NOTED			1'-6"	⊕	
MISC.	DUPLEX - SURGE SUPPRESSION TYPE			1'-6"	⊕	
	DUPLEX - WALL MOUNTED			4'-0"	⊕	
	WEATHER RESISTANT DUPLEX - WITH WEATHER-PROOF "WILE IN USE" TYPE DIE-CAST METAL COVERPLATE WITH LOCKABLE ENCLOSURE AT OUTLET. INTERMATIC GUARDIAN SERIES OR EQUAL.			1'-6"	⊕	
	CONDUIT CONCEALED IN WALLS OR IN CEILING SPACE (ARROWS INDICATED) FOR RUN & # OF CIRCUITS. HASHMARKS INDICATE # OF CONDUCTORS				⊕	
	DISCONNECT SWITCH			5'-0"	⊕	
	MAGNETIC STARTER			5'-0"	⊕	
	MAGNETIC COMBINATION STARTER			5'-0"	⊕	
	ENCLOSED FLUSH MTD. CIRCUIT BREAKER			5'-0"	⊕	
	WEATHERPROOF				⊕	
	EMERGENCY PANEL BOARD, SURFACE OR FLUSH MOUNTED			5'-6" TO TOP	⊕	
NORMAL PANEL BOARD, SURFACE OR FLUSH MOUNTED			5'-6" TO TOP	⊕		
M.E.S. MAJOR EQUIPMENT SCHEDULE # INDICATOR				⊕		
TAGGED NOTE				⊕		
REVISION NOTE				⊕		
MECHANICAL EQUIPMENT DESIGNATOR (SEE MECH. SCHEDULES)				⊕		
JUNCTION BOX			AS NOTED	⊕		
PROVIDE CONNECTION TO HAND DRYER			AS NOTED	⊕		
PLUMBING FIXTURE SOLENOID VALVE/ELECTRIC EYE SENSOR CONNECTION COORDINATE EXACT CONNECTION REQUIREMENTS WITH MANUFACTURER.				⊕		
PLUMBING FIXTURE ELECTRIC EYE TRANSFORMER CONNECTION TRANSFORMER SHALL BE 120V-24V, MOUNT ABOVE SUSPENDED ACCESSIBLE CEILING IN J-BOX. PROVIDE ADDITIONAL TRANSFORMERS OF SAME TYPE AS/IF NEEDED.				⊕		

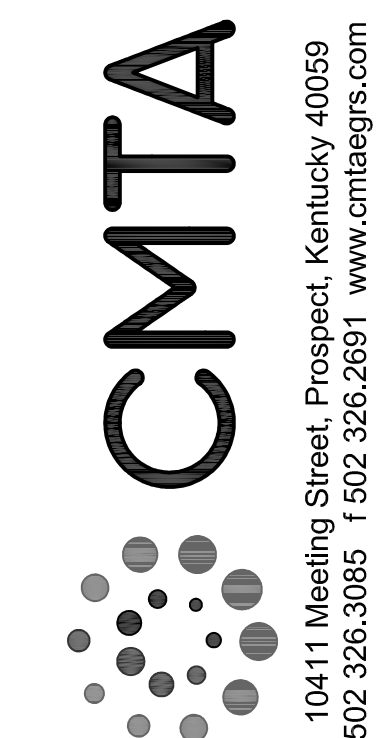
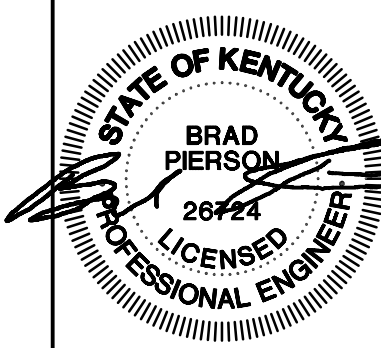
SYSTEM	ITEM	DEVICE MODEL & REFER TO SPEC. IF NONE LISTED	BACKBOX COVER IF APPLICABLE	MOUNTING HEIGHT	DRAWING SYMBOL
SPECIAL OUTLETS	PLUMBING FIXTURE SOLENOID VALVE/ELECTRIC EYE SENSOR CONNECTION COORDINATE EXACT CONNECTION REQUIREMENTS WITH MANUFACTURER.				⊕
	PLUMBING FIXTURE ELECTRIC EYE TRANSFORMER CONNECTION TRANSFORMER SHALL BE 120V-24V AND SUPPLIED WITH PLUMBING FIXTURE MOUNT ABOVE SUSPENDED ACCESSIBLE CEILING AS REQUIRED. PROVIDE ADDITIONAL TRANSFORMERS OF SAME TYPE AS/IF NEEDED.				⊕
DATA / VOICE / VIDEO	DATA OUTLET - NUMBER BESTIDE OUTLET INDICATES NUMBER OF DATA JACKS TO BE PROVIDED AND INSTALLED. IF NO NUMBER IS INDICATED, THERE SHALL BE ONLY ONE DATA JACK.		1G	1'-6"	⊕, ⊕, ⊕

AS BUILT DRAWINGS:
CONTRACTOR SHALL PROVIDE DETAILED AS BUILT DOCUMENTS UPON COMPLETION OF CONSTRUCTION INCLUDING A DIMENSIONED PLAN SHOWING LOCATIONS OF ALL CONDUITS.

GENERAL NOTES (APPLICABLE TO ALL WORK AND DOCUMENTS):

- EACH CONTRACTOR, PROPOSER, SUPPLIER AND/OR MANUFACTURER SHALL REFER TO ALL DOCUMENTS PERTAINING TO THIS PROJECT AND COORDINATE ACCORDINGLY SO AS TO INSURE ADEQUACY OF FIT, COMPLIANCE WITH SPECIFICATIONS, PROPER VOLTAGE AND CURRENT CHARACTERISTICS TO AVOID CONFLICT WITH ANY OTHER BUILDINGS SYSTEMS. VERIFY SAME WITH SHOP DRAWINGS.
- OBSERVE ALL APPLICABLE CODES, RULES AND REGULATIONS THAT MAY APPLY TO THE WORK UNDER THIS CONTRACT. (CITY, COUNTY, LOCAL, STATE, FEDERAL, MUNICIPALITY, UTILITY COMPANY, OSHA, ETC.)
- INSTALL EQUIPMENT, MATERIALS, ETC. IN STRICT ACCORD WITH MANUFACTURERS' RECOMMENDATIONS AND DIRECTIONS. IF IN CONFLICT WITH THE DESIGN INDICATED IN CONTRACT DOCUMENTS, ADVISE THE ENGINEERS PRIOR TO INSTALLATION FOR CLARIFICATION.
- THE PURPOSE AND INTENT OF ALL OF THE DOCUMENTS PERTAINING TO THIS PROJECT IS TO PROVIDE A COMPLETE, FUNCTIONAL, SAFE, LIKE NEW FACILITY. ANYTHING LESS SHALL BE UNACCEPTABLE.
- WHERE PENETRATING ROOFING MEMBRANE OR OTHER MATERIALS USED FOR WEATHERPROOFING THE BUILDING MAKE SUCH PENETRATIONS IN A WAY THAT WILL NOT VOID OR DIMINISH THE ROOFING WARRANTY OR INTEGRITY IN ANYWAY. COORDINATE ALL SUCH PENETRATIONS WITH THE ROOFING INSTALLER.
- REFER TO ARCHITECTURAL FLOOR PLANS, ELEVATIONS AND CASEWORK DETAILS FOR LOCATION OF RECEPTACLES, UTILITY OUTLETS, ELECTRICAL DEVICES, ETC.
- UNLESS OTHERWISE SPECIFIED OR INDICATED, INSTALL LIGHT FIXTURES, DIFFUSERS, REGISTERS, GRILLES, SPRINKLER HEADS, SMOKE DETECTORS AND OTHER CEILING MOUNTED APPURTENANCES IN THE CEILING IN A SYMMETRICAL PATTERN, UNLESS SPECIFICALLY INDICATED OTHERWISE ON THE ARCHITECTURAL REFLECTED CEILING PLANS.
- ANY VIBRATING, OSCILLATING OR OTHER NOISE OR MOTION PRODUCING EQUIPMENT SHALL BE ISOLATED FROM SURROUNDING SYSTEMS IN AN APPROVED MANNER. NOISE OR STRUCTURALLY DAMAGING INSTALLATIONS SHALL BE SATISFACTORILY REPLACED OR REPAIRED AT THE INSTALLING CONTRACTORS' EXPENSE. THE FINAL DECISION ON THE SUITABILITY OF A PARTICULAR INSTALLATION'S ACCEPTABILITY SHALL BE THAT OF THE ENGINEER.
- ALL ELECTRICAL COMPONENTS OR EQUIPMENT SHALL BE LABELED BY UNDERWRITERS LABORATORIES OR OTHER APPROVED LISTING AGENCY APPROVED AND LABELING OF INDIVIDUAL COMPONENTS ON AN ASSEMBLY IS NOT ACCEPTABLE AS MEETING THIS REQUIREMENT, UNLESS WAIVED BY THE ENGINEER IN WRITING.
- ALL SUPPORTS FOR EQUIPMENT, DEVICES OR FIXTURES SHALL BE UNIQUE FROM THE BUILDING STRUCTURE. DO NOT SUPPORT WORK FROM OTHER TRADES, EQUIPMENT OR SUPPORTS WITHOUT WRITTEN PERMISSION FROM THE ENGINEER AND CONSENT OF THE OTHER TRADE, IN WRITING.
- WHERE EXIT LIGHTS ARE CONNECTED TO EMERGENCY CIRCUITS WITH KEYSWITCH OR CONTACTOR CONTROL, AN UNSWITCHED LINE SHALL BE PULLED IN TO MAINTAIN THEIR OPERATION REGARDLESS OF SWITCH POSITION.
- WHERE EXIT SIGNS OR EMERGENCY BATTERY PACKS ARE PROVIDED, THEY SHALL BE CONNECTED TO AN UNSWITCHED LINE.
- WHERE OUTLETS ARE LOCATED APPROXIMATELY BACK-TO-BACK ON OPPOSITE SIDES OF A PARTY WALL, THE OUTLETS SHALL NOT BE INSTALLED IN THE SAME STUD SPACE, BUT SHALL BE SEPARATED BY A MINIMUM OF ONE STUD, UNLESS OTHERWISE APPROVED BY THE ARCHITECT.
- ALL MATERIALS FURNISHED AND ALL WORK INSTALLED SHALL COMPLY WITH THE CURRENT EDITION OF THE NATIONAL ELECTRICAL CODES, NATIONAL FIRE CODES OF THE NATIONAL FIRE PROTECTION ASSOCIATION, THE REQUIREMENTS OF LOCAL UTILITY COMPANIES, AND WITH THE REQUIREMENTS OF ALL GOVERNMENTAL AGENCIES OR DEPARTMENTS HAVING JURISDICTION. IF ANY CONFLICTS OR DISCREPANCIES OCCUR THE MOST STRINGENT SHALL APPLY.
- DO NOT SCALE FROM DRAWINGS, AS PRINTING DISTORTS SCALE. WORK SHALL BE LAID OUT FROM DIMENSIONED DRAWINGS, OR DIMENSIONS SUPPLIED TO THE CONTRACTOR.
- IF A CANOPY DEDICATED TO DISPENSING DIESEL FUEL IS TO BE CONSTRUCTED, PROVIDE WIRING FOR AN EMERGENCY STOP OUTSIDE OF THE BUILDING ON THE CLOSEST CORNER.

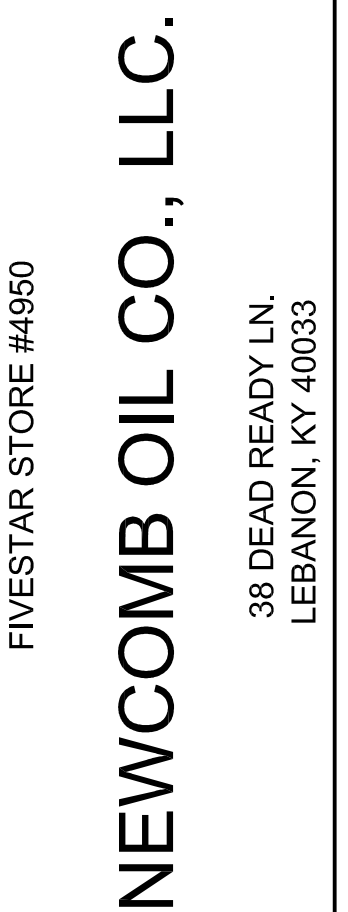
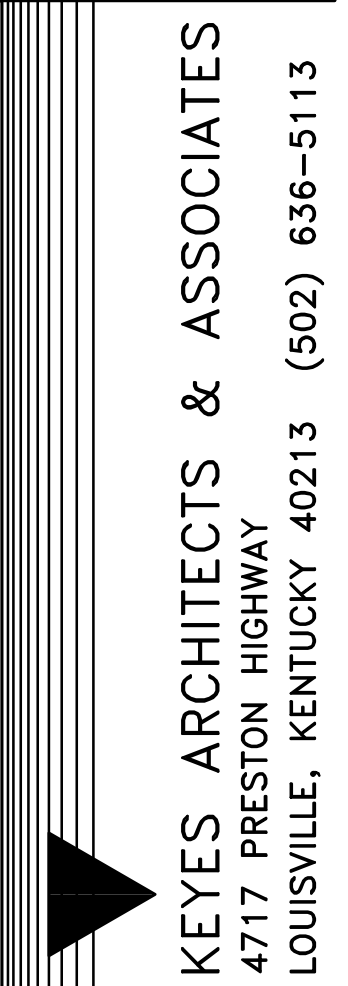
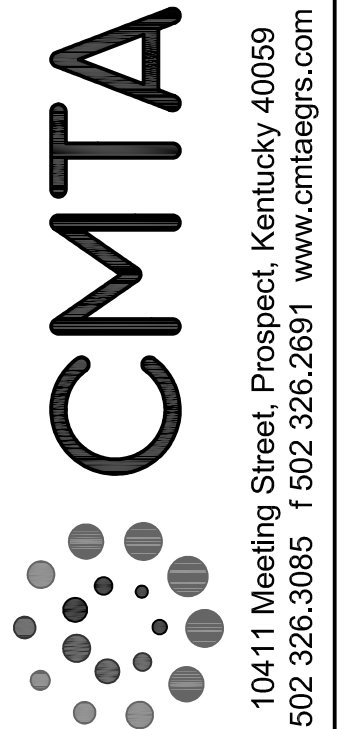
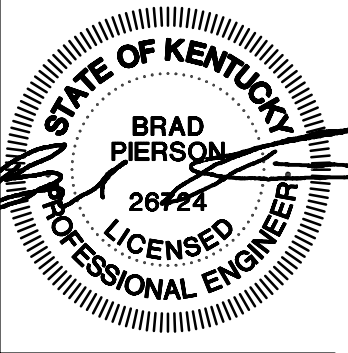
PROJECT NO:
20-4089
DRAWN BY:
BMP
DATE:
01/15/2021



KEYES ARCHITECTS & ASSOCIATES
4717 PRESTON HIGHWAY
LOUISVILLE, KENTUCKY 40213 (502) 636-5113

NEWCOMB OIL CO., LLC.
38 DEAD READY LN.
LEBANON, KY 40033

ELECTRICAL LEGEND AND DETAILS
E1.00



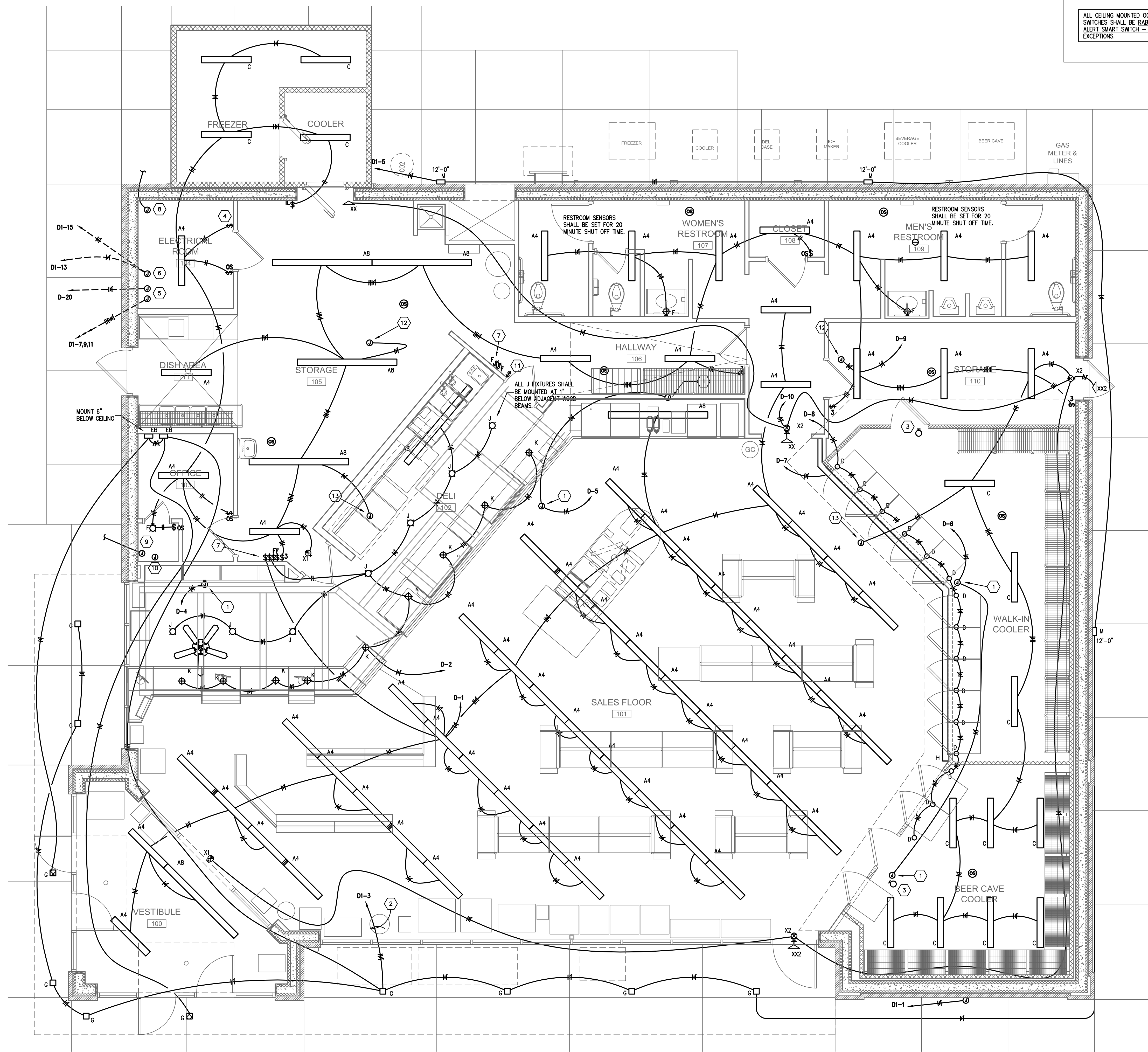
GENERAL NEW WORK NOTES (LIGHTING):

- A. REFER TO THE ARCHITECT'S REFLECTED CEILING PLANS FOR EXACT LOCATIONS OF ALL CEILING MOUNTED LIGHT FIXTURES ETC. REFER ALSO TO THE ARCHITECT'S CASEWORK DETAILS AND ROOM ELEVATIONS FOR EXACT LOCATIONS AND MOUNTING HEIGHTS OF LIGHT FIXTURES, ETC.
- B. ALL NEW WIRING SHALL BE #12 WITH A #12 INSULATED GROUND WIRE (I.O.N.). CONDUIT SHALL BE 3/4" MINIMUM.
- C. CONTRACTOR SHALL FOLLOW BRANCH CIRCUITING LAY-OUT, AS INDICATED ON THE FLOOR PLANS, WITH A MAXIMUM OF THREE (3) BRANCH CIRCUITS PER HOMERUN. EACH BRANCH CIRCUIT SHALL BE PROVIDED WITH A DEDICATED NEUTRAL CONDUCTOR. DEDICATED NEUTRAL CONDUCTORS SHALL BE CONSIDERED CURRENT CARRYING. IF ADDITIONAL CONDUCTORS ARE RUN IN THE SAME CONDUIT WITH THOSE INDICATED, CONTRACTOR SHALL DERATE ALL CURRENT CARRYING CONDUCTORS PER N.E.C. #310.15(B)(3), AND UPSIZE CONDUIT AS REQUIRED PER N.E.C. #300.17 AND ANNEX C. MULTIWIRE BRANCH CIRCUITS AS DEFINED IN N.E.C. #100 / 210.4 (CIRCUITS SHARING A COMMON NEUTRAL CONDUCTOR) SHALL NOT BE PERMITTED.
- D. ALL UNDERGROUND TRENCHES SHALL BE FILLED WITH STONE.
- E. MC CABLING SHALL BE ACCEPTABLE WHERE CONCEALED IN WALLS AND CEILINGS. EMT SHALL BE USED AT ALL EXPOSED LOCATIONS.
- F. A DIMENSIONED AND DETAILED AS-BUILT PLAN SHALL BE PROVIDED BY THE CONTRACTOR INDICATING ALL CONDUIT ROUTES. THE CONTRACTOR SHALL TAKE AND PROVIDE PHOTOS OF ALL UNDERGROUND UTILITIES PRIOR TO COVERING OF TRENCHES.
- G. ALL EMPTY CONDUITS FOR FUTURE USE SHALL BE PROVIDED WITH A PULL STRING.
- H. ALL CONDUITS STUBBED UP FROM FLOOR INTO WIRING TROUGH SHALL BE SEALED AS REQUIRED FOR GAS SEALS. THIS SHALL APPLY TO ALL CONDUITS IN THE TROUGH WHETHER SERVING GAS EQUIPMENT OR NOT.
- I. ALL SWITCHES SHALL BE MOUNTED AS TIGHT TO DOOR FRAMES AS POSSIBLE TO MAXIMIZE AVAILABLE WALL SPACE. PROVIDE MULTITANG SWITCHBOXES WHEREVER POSSIBLE. NO SWITCHES SHALL BE MOUNTED ANY MORE THAN 12" FROM DOOR FRAME.

TAGGED NOTES:

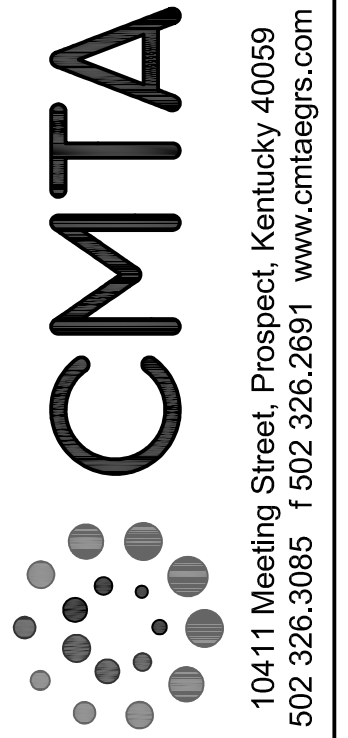
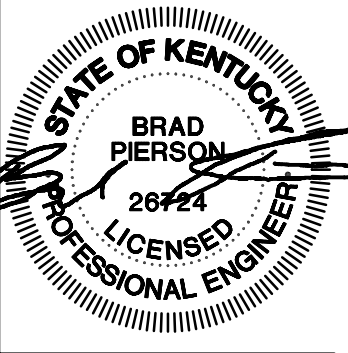
1. DECORATIVE GRAPHICS LIGHTING J-BOX. ROUTE ALL CONDUIT AND WIRING CONCEALED TO SIGNAGE. PROVIDE BOX IN VERTICAL FACE OF SOFFIT AS REQUIRED. CONNECTION SHALL BE CENTERED OVER SHELVEING AND LOCATED 9" ABOVE THE TOP OF THE OPENING. CONTROL WITH INTERIOR LIGHTING. PROVIDE WITH 14-1/2" WIDE X 6" TALL X 4" DEEP JUNCTION BOX ACCESSIBLE FROM THE MANAGER'S OFFICE WITH ONE CIRCUIT AND NIPPLE UP TO THE BACKSIDE TO FEED SIGN. MOUNT 8-1/2" ABOVE FINISHED OPENING CENTERED OVER SHELVEING. COORDINATE EXACT ELEVATION WITH ALL TRADES PRIOR TO ROUGH-IN.
2. EXTERIOR LIGHTING CIRCUIT SHALL BE CONTROLLED THROUGH EXTERIOR LIGHTING PHOTOCELL AS REQUIRED. PROVIDE UNSWITCHED CONDUCTOR BYPASSING PHOTOCELL FOR CONNECTION TO BATTERY BACK UP "EB" DEVICES IN OFFICE 103.
3. FREEZER VAPOR PROOF LIGHT PROVIDED WITH COOLER SHALL NOT BE CONNECTED.
4. PROVIDE SWITCH AT LOCATION INDICATED FOR OVERRIDE OF OCCUPANCY SENSOR IN ROOM. SWITCH SHALL PROVIDE BYPASS OF OCCUPANCY SENSOR RELAY AS REQUIRED FOR OVERRIDE.
5. PROVIDE CONNECTIONS TO SITE LIGHTING POLES AS REQUIRED BY SITE PLAN. PROVIDE ADDITIONAL CIRCUIT TO EACH LIGHTING POLE FOR BASE MOUNTED RECEPTACLE. RECEPTACLE SHALL BE MOUNTED ON POLE BASE AND NOT AT POLE ACCESS BOX. REFER TO SITE SPECIFIC DRAWINGS FOR FURTHER REQUIREMENTS.
6. REFER TO SITE SPECIFIC PLANS FOR EXACT SIGN LOCATIONS AND REQUIREMENTS. SITE SIGNAGE SHALL BE WIRED IN THE FOLLOWING MANNER:
 - 6.A. (2) 3/4" CONDUITS FROM THE ELECTRICAL ROOM TO EACH SIGN. DO NOT LOOP CONDUITS FROM ON SIGN TO ANOTHER.
 - 6.B. ON THE POLE SIGN, PROVIDE (2) 3/4" CONDUITS THAT LOOP FROM ONE LEG OF THE SIGN TO THE OTHER LEG OF THE SIGN.
 - 6.C. ONE CONDUIT TO EACH SIGN SHALL HAVE (3) 120V 20 AMP CIRCUITS WITH #10 CONDUCTORS AND GROUND FOR EACH CIRCUIT. (2) CIRCUITS SHALL ALWAYS BE HOT AND ONE SHALL BE SWITCHED WITH THE EXTERIOR LIGHTING PHOTOCELL.
 - 6.D. ONE CONDUIT TO EACH SIGN IS FOR FUTURE LOW VOLTAGE USE. THIS CONDUIT SHALL NOT BE LOOPED BETWEEN SIGNS.
 - 6.E. THE SIGN CONDUIT SHALL NOT BE COMBINED WITH AREA LIGHTING. ALL AREA LIGHTS SHALL BE FEED THROUGH SEPARATE CONDUITS.
 - 6.F. ALL BUILDING SIGNS SHALL BE INSTALLED BY THE ELECTRICAL CONTRACTOR.
 - 6.G. PROVIDE PERMANENT LABELS ON SWITCHES TO INDICATE LOAD SERVED.
 - 6.H. PROVIDE 1-1/4" CONDUIT FROM NEW SATELLITE LOCATION TO CHECK OUT COUNTER. SATELLITE WILL NEED TO BE LOCATED TO A NON CANOPY LOCATION OUT THE BACK OF THE STORE.
 - 6.I. PROVIDE 1" CONDUIT FROM CLOSET TO ALL SITE CANOPIES FOR SURVEILLANCE CAMERAS. COORDINATE EXACT REQUIREMENTS WITH SITE PLANS.
 - 6.J. PROVIDE 2" CONDUIT FROM OFFICE CLOSET TO 12" ABOVE ATTIC INSULATION.
 - 6.K. INTERIOR LIGHTING CIRCUITS SHALL BE ROUTED THROUGH INTERIOR LIGHTING CONTRACTOR FOR CONTROL OF ALL INTERIOR ZONES. SWITCH INDICATED SHALL BE USED FOR CONTROL OF CONTRACTOR.
 - 6.L. PROVIDE KEYLESS LIGHT FIXTURE ABOVE SUTTLE OPENING IN ATTIC SPACE AT LOCATION INDICATED.
 - 6.M. PROVIDE KEYLESS LIGHT FIXTURE CENTERED ABOVE WALKWAY IN ATTIC SPACE AT LOCATION INDICATED.

ALL CEILING MOUNTED OCCUPANCY SENSOR SWITCHES SHALL BE RAB ELECTRIC LIGHT ALERT SMART SWITCH - LOS2400. NO EXCEPTIONS.



ELECTRICAL - LIGHTING

1/4" = 1'-0"



10411 Meeting Street, Prospect, Kentucky 40059
502.326.3085 f 502.326.2691 www.cmtaengs.com

KEYES ARCHITECTS & ASSOCIATES
4717 PRESTON HIGHWAY
LOUISVILLE, KENTUCKY 40213 (502) 636-5113

NEWCOMB OIL CO., LLC.
FIVESTAR STORE #4950
38 DEAD READY LN.
LEBANON, KY 40033

ELECTRICAL POWER AND SYSTEMS

E3.00

FOOD SERVICE KITCHEN EQUIPMENT SCHEDULE :

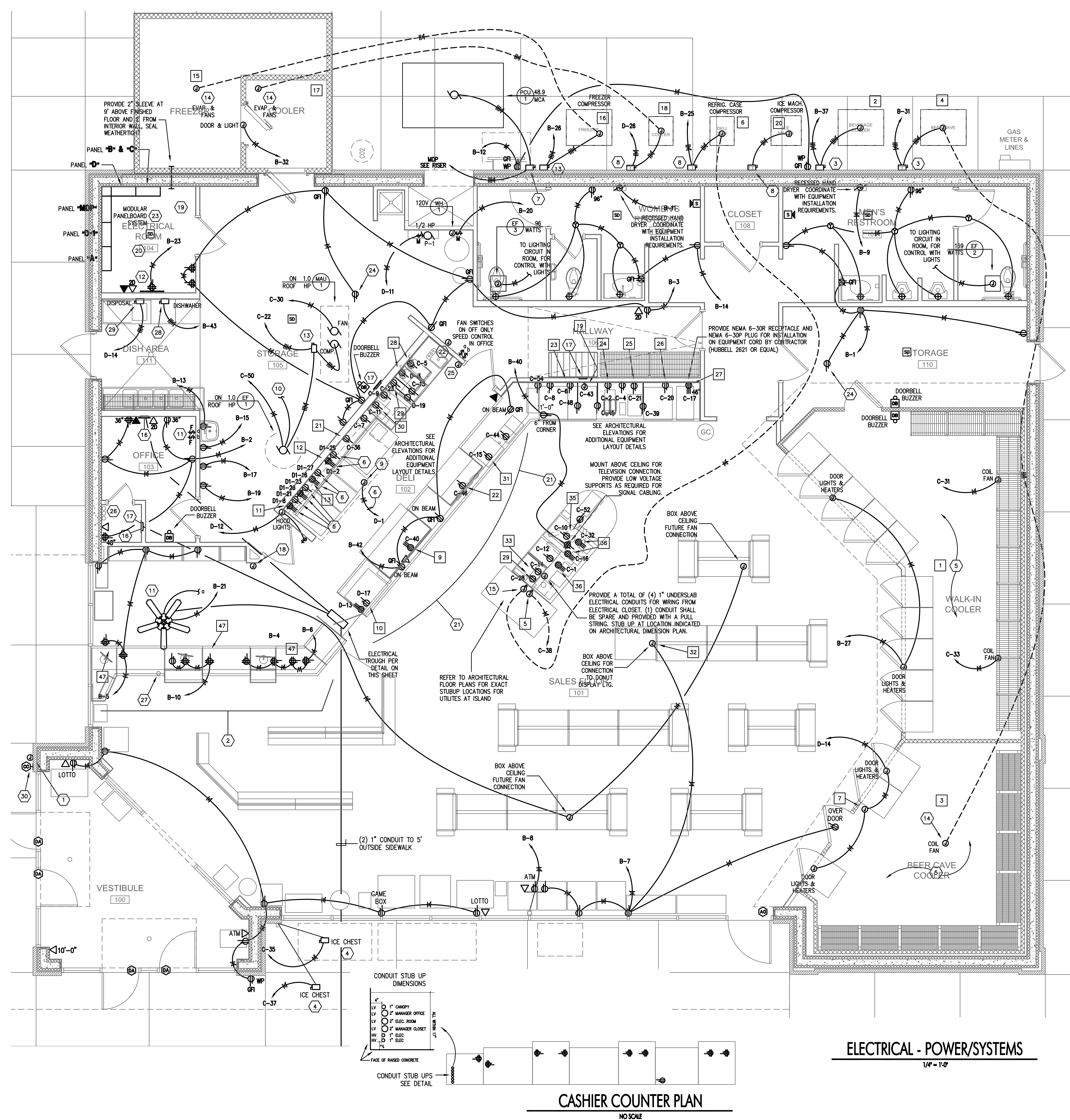
ITEM	ELEC. CONN.	QTY	DESCRIPTION	ELECTRICAL					REMARKS
				KW	HP	AMP	VOLT	PH	
1	•		WALK-IN BEVERAGE COOLER						• MULTIPLE ACC.
2	•		W.I. BEVERAGE COOLER COND. UNIT			27.0	208	3	
3	•		BEER CAVE COOLER						• MULTIPLE ACC.
4	•		BEER CAVE COND. UNIT			27.0	208	3	
5	•		ISLAND MERCHANDISER	1.0		120	1		
6	•		ISLAND MERCHANDISER COND. UNIT.	10A		208	1		
9	•		4 WELL HOT FOOD TABLE	22A		208	1	14-50P	
10	•		HOT FOOD MERCHANDISER	13.0		120	1	5-20P	
11	•		CONVECTION OVEN W/ HOLDING	12.0		120	1	5-20P	
12	•		GAS FRYER	1.7		120	1	5-20P	
13	•		GRIDDLE	0.5		120	1	5-20P	
14	•		EXHAUST HOOD						• MULTIPLE ACC.
15	•		WALK IN FREEZER						• MULTIPLE ACC.
16	•		FREEZER COND. UNIT	22.5		208	3		
17	•		WALK IN REFRIGERATOR						• MULTIPLE ACC.
18	•		REFRIGERATOR COND. UNIT	10		208	1		
19	•		REMOTE ICE MAKER	18.9		208	1		
20	•		ICE MAKER COND. UNIT	1.7		208	1		
21	•		SOLID TOP FREEZER TABLE	6.1		120	1	5-20P	
22	•		PREP TABLE	8.6		120	1	5-20P	
23	•		SODA FOUNTAIN						VERIFY EXACT REQUIREMENTS IN FIELD WITH VENDOR
24	•		TEA BREWER						VERIFY EXACT REQUIREMENTS IN FIELD WITH VENDOR
25	•		FREAL MIXER	15.0		120	1	5-20P	
26	•		FREAL FREEZER	15.0		120	1	5-20P	
27	•		FREEZE MACHINE	30		208	1	6-30P	
28	•		COFFEE MAKER						VERIFY EXACT REQUIREMENTS IN FIELD WITH VENDOR
29	•	2	MICROWAVE	10.0		120	1	5-20P	
30	•		INDUCTION RANGE						
31	•		BAKED GOODS						
32	•		CONDIT CASE						
33	•		FRAPP MACHINE						
34	•		CHOC CAPPU MACHINE						
35	•		CAPPUCCINO MACHINE						
36	•		BUN TO CUP MACHINE						VERIFY EXACT REQUIREMENTS IN FIELD WITH VENDOR
43	•		DISHWASHER						
47	•	3	POS TERMINALS	2.0		120	1	5-20P	
51	•	3	SUSPENDED TV MONITORS	2.0		120	1	5-20P	

TAGGED NOTES :

- PROVIDE EMERGENCY KILL SWITCH, ROUGH-IN AND STUB OUT ON EXTERIOR OF BUILDING FOR EMERGENCY PUMP SHUT DOWN. PROVIDE CONNECTION TO GAS PUMP PANEL SHUNT TRIP CONTROL AS REQUIRED. COORDINATE EXACT LOCATION FACING FILLING AREA WITH PUMP INSTALLER. COORDINATE PRIOR TO START OF CONSTRUCTION FOR UNDERGROUND ROUTING REQUIREMENTS.
- ALL RECEPTACLES AND DEVICES AT THE CHECK OUT COUNTER SHALL BE MOUNTED HIGH IN THE BACK OF CASEWORK. COORDINATE EXACT MOUNTING LOCATION WITH ALL TRADES PRIOR TO ROUGH-IN.
- PROVIDE 60A/250V/3P DISCONNECT IN NEMA-3R ENCLOSURE. PROVIDE ALL MOUNTING EQUIPMENT AS REQUIRED FOR MOUNTING ON WALL/ROOF. COORDINATE EXACT MOUNTING LOCATION WITH ALL TRADES PRIOR TO ROUGH-IN.
- PROVIDE DISCONNECT FOR ICE CHEST AT 60" ABOVE GRADE. DISCONNECT SHALL BE PAINTED TO MATCH STOREFRONT.
- PROVIDE LINE VOLTAGE CONNECTIONS TO WALK-IN COOLER THERMOSTATS AND ACCESSORIES AS REQUIRED.
- CIRCUIT INDICATED SHALL BE CONTROLLED BY A SHUNT TRIP BREAKER AS REQUIRED FOR TYPE I EXHAUST HOOD. SHUNT TRIP SHALL BE CONTROLLED BY HOOD SHUT DOWN EQUIPMENT AS REQUIRED. COORDINATE WITH HOOD INSTALLER.
- PROVIDE 60A/250V/3P DISCONNECT IN NEMA-3R ENCLOSURE. PROVIDE ALL MOUNTING EQUIPMENT AS REQUIRED FOR MOUNTING ON WALL/ROOF. COORDINATE EXACT MOUNTING LOCATION WITH ALL TRADES PRIOR TO ROUGH-IN.
- PROVIDE 30A/250V/2P DISCONNECT IN NEMA-3R ENCLOSURE. PROVIDE ALL MOUNTING EQUIPMENT AS REQUIRED FOR MOUNTING ON WALL/ROOF. COORDINATE EXACT MOUNTING LOCATION WITH ALL TRADES PRIOR TO ROUGH-IN. PROVIDE POWER CONNECTION FROM FOUNTAIN ICE MACHINES AS REQUIRED. COORDINATE FURTHER REQUIREMENTS WITH EQUIPMENT INSTALLER.
- PROVIDE 120V CONNECTION TO GAS SOLENOID FOR SHUTDOWN OF HOOD EQUIPMENT GAS CONNECTIONS WITH SHUNT TRIP. COORDINATE EXACT LOCATION AND CONNECTION REQUIREMENTS WITH GAS INSTALLER.
- PROVIDE RACEWAY TO MAKE UP AND EXHAUST FAN CONTROL SWITCH AS REQUIRED. COORDINATE EXACT REQUIREMENTS WITH HOOD INSTALLER.
- INSTALL A LOWES 56" DIAMETER CEILING HUGGER CEILING FAN. FAN SHALL BE ALL WHITE. PROVIDE VARIABLE SPEED CONTROLLERS (LUTRON FSE-FE OR EQUAL) AT LOCATION INDICATED IN STORAGE ROOM.
- NETWORK SWITCHES AND PATCH PANELS SHALL BE PROVIDED BY OWNER AND LOCATED IN ELECTRICAL ROOM AS INDICATED. UNLESS OTHERWISE NOTED, PROVIDE SHIELDED, CAT 5E NETWORK CABLING FROM PHONE AND DATA DROPS INDICATED ON PLANS BACK TO THIS LOCATION. TERMINATE AND LABEL CABLING PER OWNER REQUIREMENTS. PROVIDE TELECOM UTILITY RACEWAYS FROM SITE TO RAMP LOCATION. PROVIDE DEDICATED UTILITY SERVICE CONDUIT FOR LOTTERY PHONE LINE. COORDINATE EXACT REQUIREMENTS WITH OWNER AND SITE CONTRACTOR PRIOR TO ROUGH-IN. NETWORK AND VOICE CABLING SHALL BE CONTINUOUS AND SHALL NOT BE SPLICED.
- PROVIDE 30A/250V/3P DISCONNECT IN NEMA-3R ENCLOSURE. PROVIDE ALL MOUNTING EQUIPMENT AS REQUIRED FOR MOUNTING ON WALL/ROOF. COORDINATE EXACT MOUNTING LOCATION WITH ALL TRADES PRIOR TO ROUGH-IN.
- PROVIDE CONNECTIONS TO ALL THERMOSTATS, DEFROST HEATERS AND EVAPORATOR FANS FROM CONDENSING UNIT CIRCUIT AS INDICATED. COORDINATE EXACT CONNECTION REQUIREMENTS WITH EQUIPMENT INSTALLER. PROVIDE LOCAL DISCONNECT MEANS IN COOLERS IF NOT PROVIDED BY INSTALLER.
- PROVIDE 120V CONNECTION TO REFRIGERATED CASE THERMOSTAT FROM CIRCUIT SERVING EXTERIOR CONDENSING UNIT. COORDINATE EXACT REQUIREMENTS WITH EQUIPMENT INSTALLER.
- PROVIDE 2" CONDUIT BELOW SLAB FROM 12"x12"x4" DEEP JUNCTION BOX WITH FRONT ACCESS TO TRANSACTION COUNTER WIRING TROUGH FOR CABLING. TURN UP BELOW COUNTER IN TO WIRING TROUGH. COORDINATE EXACT LOCATION WITH CABINET INSTALLER. PROVIDE ADDITIONAL 2" CONDUIT SUBBED TO 12" ABOVE CEILING. BOX SHALL BE MOUNTED AT 12" A.F.F. FROM BOTTOM OF BOX.
- PROVIDE 2" CONDUIT ABOVE CEILING FROM THE 12"x12"x4" DEEP JUNCTION BOX WITH FRONT ACCESS. BOX SHALL BE MOUNTED AT 12" A.F.F. FROM BOTTOM OF BOX.
- PROVIDE INTERIOR EMERGENCY KILL SWITCH FOR EMERGENCY PUMP SHUT DOWN AT CASHIER LOCATION AS INDICATED. PROVIDE CONNECTION TO GAS PUMP PANEL SHUNT TRIP CONTROL AS REQUIRED.
- PROVIDE WEATHERHEADS WHERE REQUIRED FOR TELEPHONE ENTRY AND OVERHEAD SECONDARY ELECTRICAL SERVICE WHERE REQUIRED BY UTILITY COMPANY. COORDINATE INSTALLATION WITH ALL TRADES AND WEATHER-SEAL TO MAINTAIN ROOF AND WALLS AS REQUIRED.
- PROVIDE DUAL 8" x 8" x 5" ELECTRICAL TROUGHS IN ELECTRICAL ROOM FOR GAS PUMP EQUIPMENT WIRING. THE TOP TROUGH SHALL BE USED FOR LINE VOLTAGE CABLING AND THE BOTTOM TROUGH SHALL BE USED FOR LOW VOLTAGE CABLING. TROUGHS SHALL BE OFFSET FROM EACH OTHER TO ALLOW ACCESS TO EACH TROUGH.
- ALL RECEPTACLES BACK COUNTER INDICATED SHALL BE INSTALLED COMPLETELY TO THE ALONG OF THE COUNTER.
- PROVIDE 3/4" CONDUIT DOWN TO SINGLE GANG BOX FOR ALARM SYSTEM BOX.
- ALL CONDUIT PENETRATIONS THROUGH THE FLOOR SLAB SHALL BE PROVIDED WITH AIR TIGHT SEALS WHETHER SERVING GAS EQUIPMENT OR NOT.
- PROVIDE DUPLEX RECEPTACLE IN ATTIC MOUNTED TO STRUCTURE ABOVE SCUTTLE OPENING.
- PROVIDE RANGE HOOD EMERGENCY PULL CORD AT 60" ABOVE FINISHED FLOOR AT LOCATION INDICATED. REFER TO DETAIL AND COORDINATE WITH HOOD INSTALLER.
- PROVIDE A 1" CONDUIT FROM OFFICE TO EACH CANOPY ON SITE FOR CAMERA CABLING.
- PROVIDE A 1-1/4" CONDUIT FROM CHECKOUT COUNTER TO NEW SATELLITE LOCATION. COORDINATE EXACT TERMINATION LOCATIONS WITH OWNER PRIOR TO ROUGH-IN.
- PROVIDE 60A/250V/3P DISCONNECT IN NEMA-1 ENCLOSURE. COORDINATE EXACT MOUNTING LOCATION WITH ALL TRADES PRIOR TO ROUGH-IN.
- PROVIDE 30A/250V/3P DISCONNECT IN NEMA-1 ENCLOSURE. COORDINATE EXACT MOUNTING LOCATION WITH ALL TRADES PRIOR TO ROUGH-IN.
- PROVIDE SINGLE GANG ROUGH-IN FOR SECURITY CAMERA FACING GAS CANOPY. PROVIDE 3/4" CONDUIT FROM BOX TO LOW VOLTAGE BOX ON INTERIOR SIDE OF WALL NEAR FLOOR. COORDINATE GAS CANOPY LOCATION WITH GENERAL CONTRACTOR AND INSTALL ON SIDE FACING CANOPY.

GENERAL NEW WORK NOTES (POWER) :

- REFER TO THE ARCHITECT'S REFLECTED CEILING PLANS FOR EXACT LOCATIONS OF ALL CEILING MOUNTED LIGHT FIXTURES ETC. REFER ALSO TO THE ARCHITECT'S CASEWORK DETAILS AND ANNEX C. MULTIMETER BRANCH CIRCUITS AS DEFINED IN N.E.C. #100 / 210.4 (CIRCUITS SHARING A COMMON NEUTRAL CONDUCTOR) SHALL NOT BE PERMITTED.
- MC CABLING SHALL BE ACCEPTABLE WHERE CONCEALED IN WALLS AND CEILING. EMT SHALL BE USED AT ALL EXPOSED LOCATIONS.
- A DIMENSIONED AND DETAILED AS-BUILT PLAN SHALL BE PROVIDED BY THE CONTRACTOR INDICATING ALL CONDUIT ROUTES. THE CONTRACTOR SHALL TAKE AND PROVIDE PHOTOS OF ALL UNDERGROUND UTILITIES PRIOR TO COVERING OF TRENCHES.
- ALL UNDERGROUND TRENCHES SHALL BE FILLED WITH STONE.
- ALL EMPTY CONDUITS FOR FUTURE USE SHALL BE PROVIDED WITH A PULL STRING.
- ALL DEVICES SHALL BE STAINLESS STEEL, WHITE, BROWN OR IVORY. WHITE AT WHITE AND RED TILE, BROWN AT ALL BROWN TILE AND BY STORE FRONT, IVORY AGAINST ALL PAINTED WALLS, WHITE INSIDE CABINETS AND STAINLESS AT HOOD.
- ALL CONDUITS STUBBED UP FROM FLOOR SHALL BE SEALED AS REQUIRED FOR GAS SEALS. THIS SHALL APPLY TO ALL CONDUITS WHETHER SERVING GAS EQUIPMENT OR NOT.
- ALL DISCONNECTS SHALL BE SQUARE D SIDE ARMED AND NON FUSED.
- ALL RECEPTACLES SHALL BE ON MINIMUM OF 20A CIRCUITS AND SHALL BE 20A RATED DEVICES.
- PROVIDE 3/4" AND 1" CONDUITS FROM TROUGH IN ELECTRICAL ROOM TO 5'-0" BEYOND SIDEWALK AND MINIMUM OF 18" BELOW GRADE. CONDUITS TO HAVE SEAL OFF AT FIRST JOINT ABOVE FLOOR. VERIFY WITH OWNER.
- POLE LIGHTS AND POLES SHALL BE FURNISHED BY OWNER AND INSTALLED BY ELECTRICAL CONTRACTOR.
- EACH POLE LIGHT SHALL HAVE (1) DUPLEX RECEPTACLE FURNISHED AND INSTALLED BY THE ELECTRICAL CONTRACTOR. ALL POLES TO BE WIRED WITH #10 STRANDED WIRE.
- ALL UNDERGROUND CONDUIT SHALL HAVE GALVANIZED 90'S.
- PROVIDE AND INSTALL ALL CORDS AND PLUGS FOR FOOD SERVICE EQUIPMENT.
- ALL GAS EQUIPMENT AND DISPENSERS MUST BE ON THE SAME PHASE (A OR C).
- PROVIDE (1) BREAKER FOR EACH LINE LEAK DETECTOR LIST.

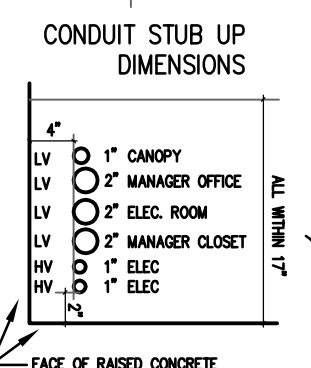


ELECTRICAL - POWER/SYSTEMS

1/8" = 1'-0"

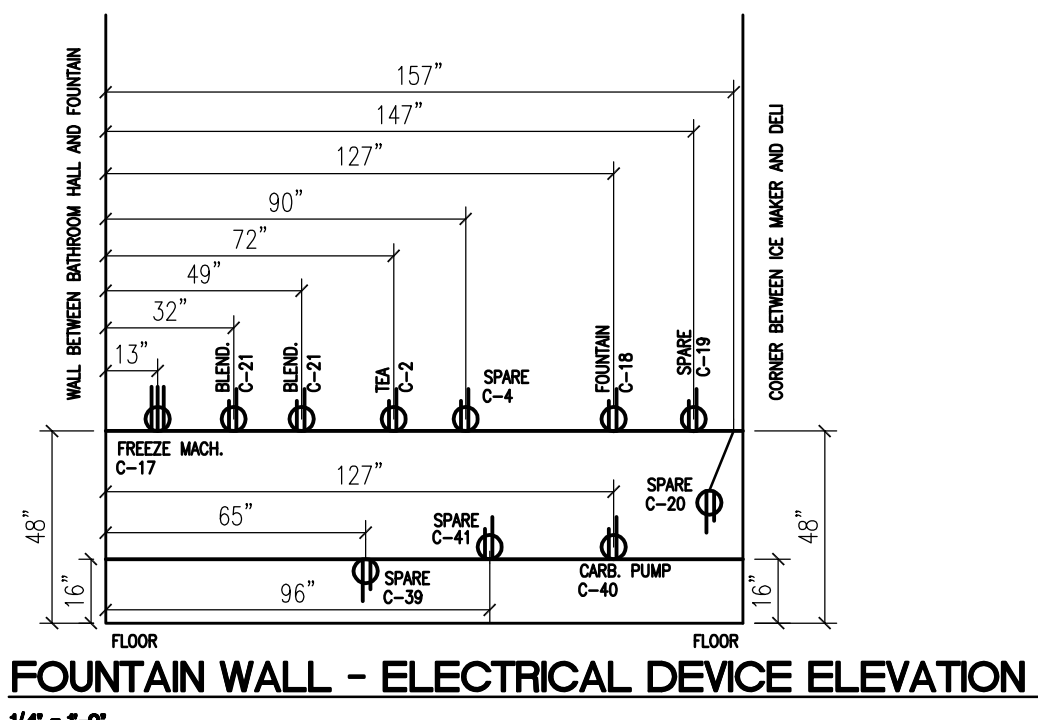
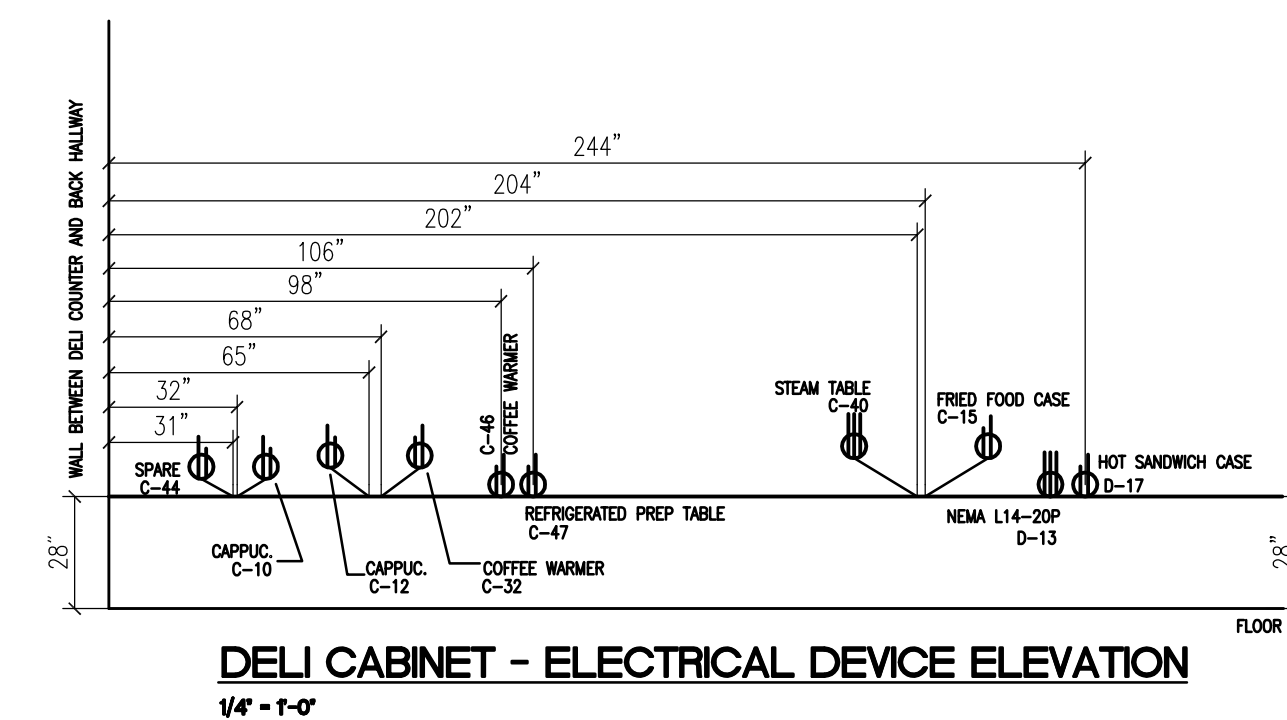
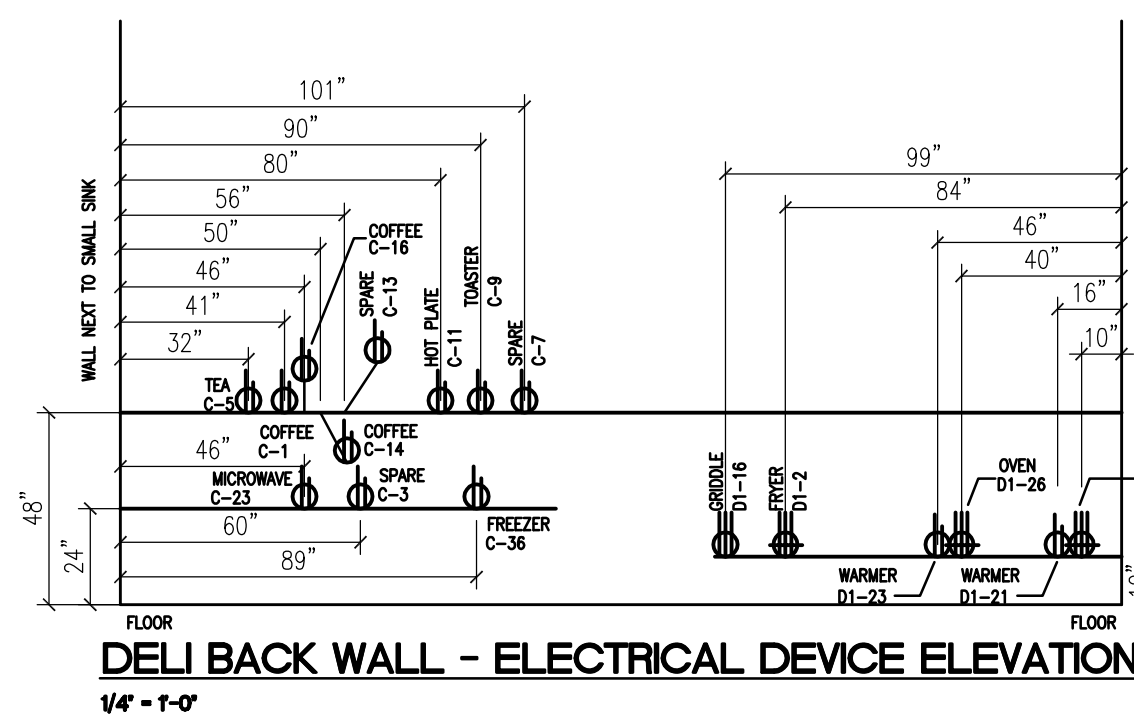
CASHIER COUNTER PLAN

NO SCALE



CONDUIT STUB UPS SEE DETAIL

PANELBOARD AND WIRING SCHEDULE - (Double Tub, Double Trim)																	
PANELBOARD:		A		AMPERES:	100	VOLTAGE:	120/208	PHASE:	1	WIRE:	3	MANUF.:	SQUARE D	TYPE	MODULAR		
GND	CON	LOAD			DESIGNATION	WIRE	BKR	CKT	CKT	BKR	WIRE	DESIGNATION	LOAD			CON	GND
		A	B	C									A	B	C		
					SPARE SWITCHED NEUTRAL		15/2	1	2	15/2	SPARE SWITCHED NEUTRAL						
						---	3	4	---						
					SPARE SWITCHED NEUTRAL		15/2	5	6	15/2	SPARE SWITCHED NEUTRAL						
						---	7	8	---						
					SPARE SWITCHED NEUTRAL		15/2	9	10	15/2	SPARE SWITCHED NEUTRAL						
						---	11	12	---						
					SPARE SWITCHED NEUTRAL		15/2	13	14	15/2	SPARE SWITCHED NEUTRAL						
						---	15	16	---						
					SPARE SWITCHED NEUTRAL		15/2	17	18	15/2	SPARE SWITCHED NEUTRAL						
						---	19	20	---						
					SPARE SWITCHED NEUTRAL		15/2	21	22	20/2	SPARE						
						---	23	24	---						
					SPARE SWITCHED NEUTRAL		15/2	25	26	20/2	SPARE						
						---	27	28	---						
					SPARE SWITCHED NEUTRAL		15/2	29	30	20/2	SPARE						
						---	31	32	---						
					SPARE SWITCHED NEUTRAL		15/2	33	34	20/2	SPARE						
						---	35	36	---						
					SPARE SWITCHED NEUTRAL		15/2	37	38	20/2	SPARE						
						---	39	40	---						
					SPACE		20/2	41	42	15/1	SPACE						
					SPACE		---	43	44	15/1	SPACE						
					SPACE		20/2	45	46	15/1	SPACE						
					SPACE		---	47	48	20/1	SPACE						
					SPACE		---	49	50	20/1	SPACE						
					SPACE		---	51	52	20/1	SPACE						
		0.0	0.0		SUB-TOTAL							KVA	SUB-TOTAL	0.0	0.0		
					GROSS-TOTAL							KVA	GROSS-TOTAL	0	0		0.00
EMERGENCY POWER BRANCH:		NO		MAIN BREAKER:		YES		A.I.C. RATING:		35,000							



TAGGED NOTES :

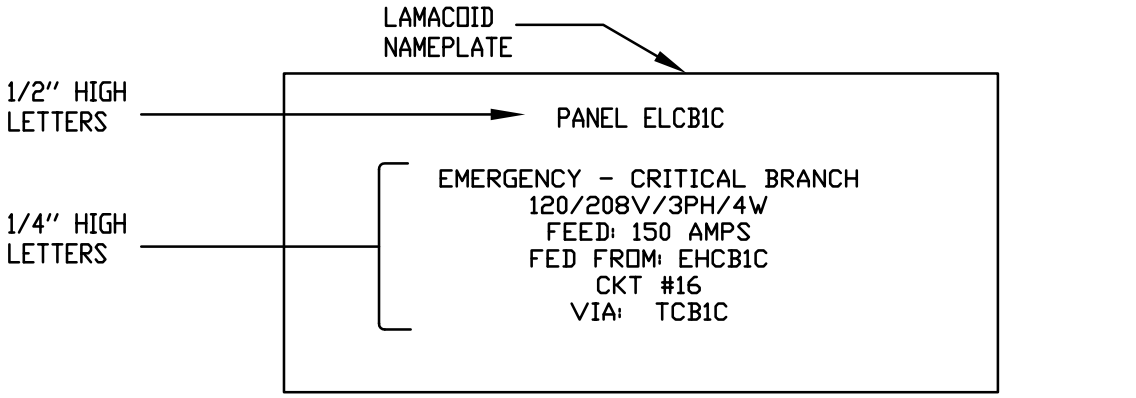
1. PROVIDE SQUARE "D" INTEGRATED POWER CENTER DISTRIBUTION SYSTEM AS SHOWN. MAIN DISTRIBUTION EQUIPMENT SHALL BE 800A/120/208V/3PH/4W AND SHALL BE MAIN SERVICE RATED. PROVIDE WITH I-LINE STYLE MAIN DISTRIBUTION WITH MAIN SERVICE RATED BREAKERS FEEDING LOADS AS INDICATED ON RISER AND FLOOR PLANS. PROVIDE WITH MODULAR PANELBOARDS AND CONTACTORS AS INDICATED ON RISER AND FLOORPLANS FOR BRANCH CIRCUIT DISTRIBUTION AND CONTROL. ALL OVERCURRENT DEVICES IN MAIN PANEL AND ASSOCIATED MODULAR EQUIPMENT SHALL HAVE A RATING AT A MINIMUM OF 35 KAIC SHORT CIRCUIT RATINGS. PROVIDE A SURGE SUPPRESSION DEVICE "SPD" AT THE MAIN DISTRIBUTION PANEL AS WELL AS EACH BRANCH PANEL.
2. PANEL "A" AND ASSOCIATED FUEL CONTACTOR SHALL BE DEDICATED FOR FUEL DISTRIBUTION EQUIPMENT. COORDINATE EXACT BRANCH CIRCUIT OVERCURRENT REQUIREMENTS WITH FUEL SERVICE PLANS AND CONTRACTOR. PROVIDE A STUBOUT AS REQUIRED FOR BRANCH CIRCUITS AND CONTROLS. PROVIDE SEALS AT RACEWAY OPENINGS AS REQUIRED FOR SERVING FUEL DISTRIBUTION EQUIPMENT.
3. PROVIDE PANEL "D-1" AND ASSOCIATED CONTACTOR AS REQUIRED FOR EXTERIOR LIGHTING CONNECTIONS AND CONTROL. REFER TO FLOORPLANS AND SCHEDULES FOR FURTHER REQUIREMENTS. COORDINATE EXACT CONTROL REQUIREMENTS WITH KITCHEN HOOD SHOP DRAWINGS AND INSTALLER.

GENERAL POWER RISER NOTES :

- A. REFER TO DETAIL FOR TYPICAL PANEL LABELING REQUIREMENTS.
- B. ALL "I-LINE" PANELS SHALL BE AS SCHEDULED IN THIS RISER (EXCEPT WHERE INDICATED, THE CONTRACTOR SHALL REFER TO THE PANELBOARD SCHEDULES FOR COMPLETE BREAKER SCHEDULE).
- C. SERVICE EQUIPMENT SHALL BE MARKED WITH THE MAXIMUM AVAILABLE FAULT-CURRENT AT THE EQUIPMENT. APPLY A TYPE-WRITTEN ADHESIVE LABEL WITH WHITE BACKGROUND, 1/2" HIGH BLACK LETTERING.
- D. AS PART OF THIS CONTRACT, PROVIDE A COMPREHENSIVE ARC FLASH HAZARD ANALYSIS FOR POWER DISTRIBUTION DEVICES ON THIS PROJECT AS REQUIRED TO MEET REQUIREMENTS OF NFPA 70E. PROVIDE ALL LABELS, WARNING SIGNAGE, ETC. PER NFPA-70E AND OSHA REQUIREMENTS.

POWER RISER FEEDER SCHEDULE :

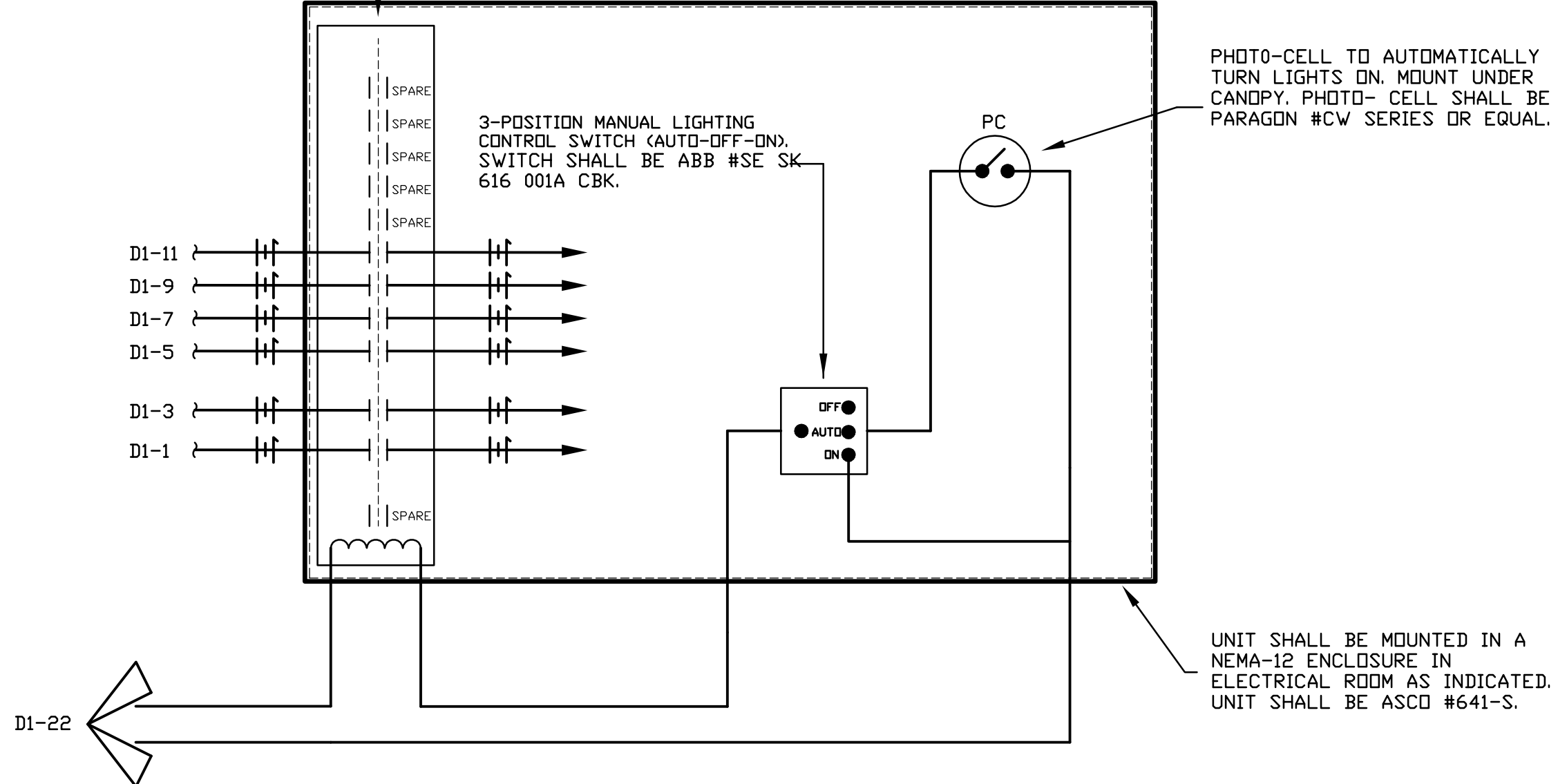
- A. PROVIDE 2 PARALLEL RUNS OF 4 #500 KCMIL IN 4" CONDUITS.
- B. PROVIDE (4) #8 + (1) #10 GROUND IN 3/4" CONDUIT.
- C. INTEGRATED PANEL FEEDERS SHALL BE FACTORY INSTALLED TYPE THHN POWER CABLES AND SHALL BE SIZED PER NEC CHAPTER 310. WHERE EQUIPMENT MUST BE DISASSEMBLED FOR SHIPPING THE CONTRACTOR SHALL TERMINATE FACTORY PROVIDED CABLES AS REQUIRED UPON REASSEMBLY. COORDINATE ALL REQUIREMENTS WITH MANUFACTURER.



- GENERAL NOTES :**
- A. NORMAL POWER PANELS SHALL HAVE BLACK BACKGROUND WITH WHITE LETTERS. EMERGENCY PANELS SHALL HAVE RED BACKGROUND WITH WHITE LETTERS.
 - B. UTILIZE SELF ADHESIVE TYPE LAMACOID PLATE FOR ALL AREAS, EXCEPT UTILIZE SCREW-ON TYPE IN ALL MECHANICAL ROOMS.

LIGHTING CONTROL CONTACTOR CABINET (LOCATE IN ELEC. ROOM). PROVIDE WITH NUMBER OF 20A CONTACTS AS REQUIRED AND A 120V CONTROL COIL IN A NEMA-12 ENCLOSURE. ASCD #917 SERIES.

TYPICAL EQUIPMENT NAMEPLATE DETAIL
NO SCALE



AUTOMATIC LIGHTING CONTROL SCHEMATIC
NO SCALE

NEW 120/208V/3PH/4W NORMAL POWER PANEL "B"
AS SCHEDULED

NEW 120/208V/3PH/4W 800A MAIN DISTRIBUTION PANEL "MDP"

NEW 120/208V/3PH/4W NORMAL POWER PANEL "C"
AS SCHEDULED

INTERIOR LIGHTING CONTACTOR

COORDINATE WITH SITE PLAN UTILITY CO. SERVICE TRANSFORMER

FULL INSULATED NEUTRAL & SEPARATE GROUND BAR

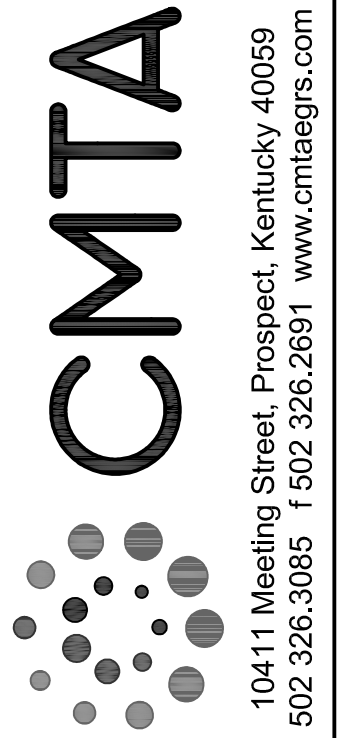
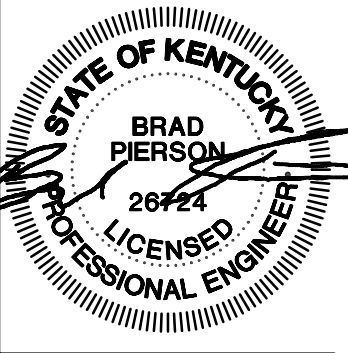
100A/3P FUEL CONTACTOR SWITCH NEUTRAL

NEW 120/208/1PH NORMAL POWER PANEL "A"
AS SCHEDULED

NEW 120/208V/3PH/4W NORMAL POWER PANEL "D-1"
AS SCHEDULED

01 POWER DISTRIBUTION RISER DIAGRAM
NO SCALE

PROJECT NO:
20-4089
DRAWN BY:
BMP
DATE:
01/15/2021

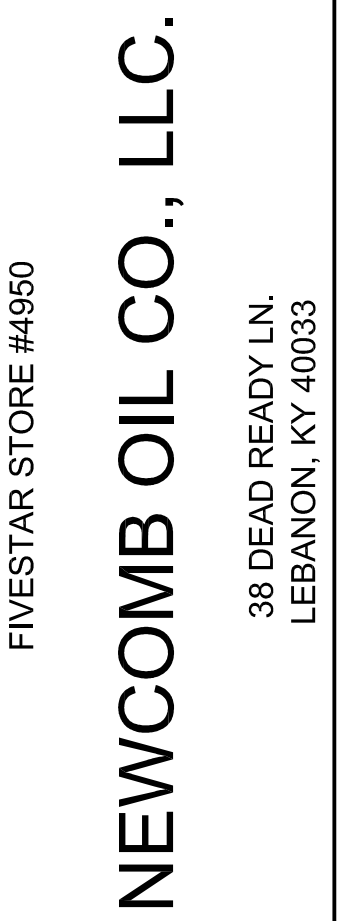
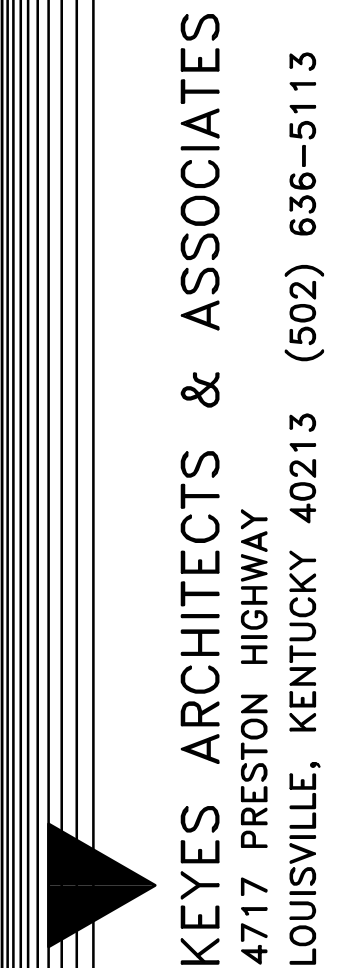
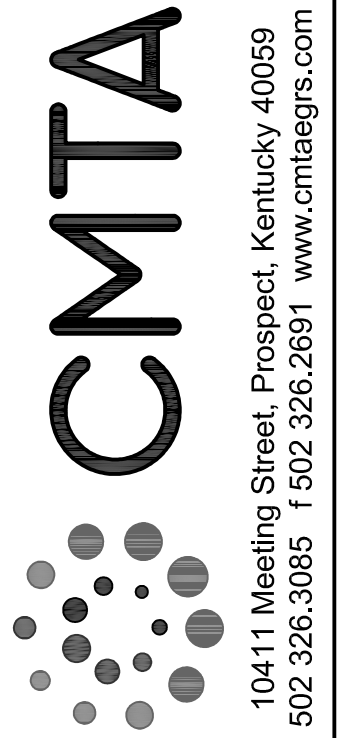
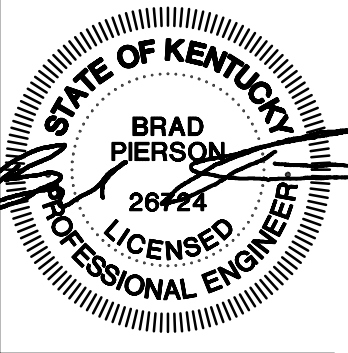


KEYES ARCHITECTS & ASSOCIATES
4717 PRESTON HIGHWAY
LOUISVILLE, KENTUCKY 40213 (502) 636-5113

NEWCOMB OIL CO., LLC.
FIVESTAR STORE #4950
38 DEAD READY LN.
LEBANON, KY 40033

ELECTRICAL RISER DIAGRAM

E4.00



PANELBOARD AND WIRING SCHEDULE																			
PANELBOARD:		B			AMPERES:	225	VOLTAGE:	120/208	PHASE:	3	WIRE:	4	MANUF.:	SQUARE D	TYPE:	MODULAR			
GND	CON	LOAD			DESIGNATION	WIRE	BKR	CKT	CKT	BKR	WIRE	DESIGNATION	LOAD			CON	GND		
		A	B	C									A	B	C				
12	3/4"	1.0			RESTROOM - RCP	12	GFI	1	2	20/1	12	OFFICE - RCP	1.2			3/4"	12		
12	3/4"		1.0		STORAGE - RCP	12	20/1	3	4	20/1	12	CASH REGISTER - RCP	0.6			3/4"	12		
12	3/4"			1.0	CASH REGISTER - RCP	12	20/1	5	6	20/1	12	CASH REGISTER - RCP	0.8			3/4"	12		
12	3/4"	1.2			STOREFRONT - RCP	12	20/1	7	8	20/1	12	STOREFRONT - RCP	1.0			3/4"	12		
12	3/4"		1.0		HAND DRYER - MENS	12	GFI	9	10	20/1	12	LOTTERY	0.4			3/4"	12		
12	3/4"			1.0	HAND DRYER - WOMENS	12	GFI	11	12	GFI	12	EXTERIOR RECEPTACLES - REAR	0.4			3/4"	12		
12	3/4"	0.6			STORAGE - RCP	12	20/1	13	14	GFI	12	RESTROOM - RCP	0.6			3/4"	12		
12	3/4"		0.6		STORAGE - RCP	12	20/1	15	16	20/2	12	FOUNTAIN ICE MACHINE	1.2			3/4"	12		
12	3/4"			0.6	STORAGE - RCP	12	20/1	17	18	---	---	---	---	1.2			---	---	
12	3/4"	0.6			STORAGE - RCP	12	20/1	19	20	20/1	12	WH-1	1.0			3/4"	12		
12	3/4"		0.9		CEILING FANS	12	20/1	21	22	20/1	---	SPARE							
12	3/4"			0.4	TELECOM - RCP	12	20/1	23	24	20/1	12	STORE - RCP			1.0	3/4"	12		
12	3/4"	1.2			DELI CASE - COMPRESSOR	12	20/2	25	26	40/3	8	WALK-IN FREEZER - COMP.	4.5			3/4"	10		
---	---		1.2		---	---	---	27	28	---	---	---			4.5			---	---
10	3/4"	3.2			SPARE	---	---	29	30	---	---	---			4.5			---	---
---	---		3.2		BEER CAVE COMPRESSOR	8	40/3	31	32	20/1	12	WALK-IN FREEZER - DOOR	0.5			3/4"	12		
---	---			3.2	---	---	---	33	34	20/1	12	COUNTER - RCP	0.6			3/4"	12		
---	---			3.2	---	---	---	35	36	20/2	12	FOUNTAIN ICE MACHINE			1.2	3/4"	12		
10	3/4"	3.2			WALK-IN BEV. COOLER COMP.	8	40/3	37	38	---	---	---	1.2					---	---
---	---			3.2	---	---	---	39	40	20/1	12	FOUNTAIN SIGNS	0.1			3/4"	12		
---	---			3.2	---	---	---	41	42	20/1	12	COFFEE TV'S			0.4	3/4"	12		
10	1"	5.6			DISHWASHER	6	60/3	43	44	20/1	---	SPARE							
---	---			5.6	---	---	---	45	46	20/1	---	SPARE							
---	---			5.6	---	---	---	47	48	20/1	---	SPARE							
---	---				SPD	---	---	49	50	20/1	---	SPARE							
---	---				---	---	---	51	52	20/1	---	SPARE							
---	---				---	---	---	53	54	20/1	---	SPARE							
		16.6	16.7	15.3	SUB-TOTAL		KVA					KVA	SUB-TOTAL	10.0	7.4	9.5			
					GROSS-TOTAL								GROSS-TOTAL	28.6	24.1	24.5			75.2
EMERGENCY POWER:		NO			MAIN BREAKER:						MAIN LUGS:			YES			A.I.C. RATING: 18,000		
BRANCH:											YES			A.I.C. RATING: 18,000					

PANELBOARD AND WIRING SCHEDULE																			
PANELBOARD:		D			AMPERES:	225	VOLTAGE:	120/208	PHASE:	3	WIRE:	4	MANUF.:	SQUARE D	TYPE:	MODULAR			
GND	CON	LOAD			DESIGNATION	WIRE	BKR	CKT	CKT	BKR	WIRE	DESIGNATION	LOAD			CON	GND		
		A	B	C									A	B	C				
12	3/4"	1.2			CUSTOMER AREA - LTG	12	20/1	1	2	20/1	12	COUNTER AREA - LTG	0.9			3/4"	12		
12	3/4"		1.2		COFFEE BREWER	12	GFI	3	4	20/1	12	GRAPHICS - LTG	0.5			3/4"	12		
12	3/4"			1.0	GRAPHICS - LTG	12	20/1	5	6	20/1	12	GRAPHICS - LTG			1.0	3/4"	12		
12	3/4"	0.4			COVE - LTG	12	20/1	7	8	20/1	12	COOLER - LTG	0.3			3/4"	12		
12	3/4"		1.3		BACK ROOM - LTG	12	20/1	9	10	20/1	12	EMERGENCY LIGHTING	0.1			3/4"	12		
12	3/4"			1.2	P-1	12	20/1	11	12	20/1	12	HOOD LIGHTS			0.2	3/4"	12		
12	3/4"	1.5			HOT SANDWICH CASE 208V	12	20/2	13	14	20/3	12	DISPOSAL	0.6			3/4"	12		
---	---		1.5		---	---	---	15	16	---	---	---	0.6			---	---		
12	3/4"			1.3	HOT SANDWICH CASE 120V	12	20/1	17	18	---	---	---	0.6			---	---		
12	3/4"	0.2			BACK DELI WALL RCP	12	20/1	19	20	20/1	10	SITE POLE RECEPTACLES	1.2			3/4"	10		
---	---				SPARE	---	---	21	22	20/1	---	SPARE							
---	---				SPARE	---	---	23	24	20/1	---	SPARE							
---	---				SPARE	---	---	25	26	20/2	10	COOLER - COMPRESSOR	1.2			3/4"	10		
12	3/4"	1.0			BACK OF HOUSE - LTG	12	20/1	27	28	---	---	---	1.2			---	---		
---	---				SPARE	---	---	29	30	20/1	---	SPARE							
---	---				SPARE	---	---	31	32	20/1	---	SPARE							
---	---				SPARE	---	---	33	34	20/1	---	SPARE							
---	---				SPARE	---	---	35	36	20/1	---	SPARE							
---	---				SPARE	---	---	37	38	20/1	---	SPARE							
---	---				SPARE	---	---	39	40	20/1	---	SPARE							
---	---				SPARE	---	---	41	42	20/1	---	SPARE							
---	---				SPARE	---	---	43	44	20/1	---	SPARE							
---	---				SPARE	---	---	45	46	20/1	---	SPARE							
---	---				SPARE	---	---	47	48	20/1	---	SPARE							
---	---				SPD	---	---	49	50	20/1	---	SPARE							
---	---				---	---	---	51	52	20/1	---	SPARE							
---	---				---	---	---	53	54	20/1	---	SPARE							
		3.3	5.0	3.7	SUB-TOTAL		KVA					KVA	SUB-TOTAL	4.2	2.4	1.8			
					GROSS-TOTAL								GROSS-TOTAL	7.5	7.4	5.5			20.4
EMERGENCY POWER:		NO			MAIN BREAKER:						MAIN LUGS:			YES			A.I.C. RATING: 18,000		
BRANCH:											YES			A.I.C. RATING: 18,000					

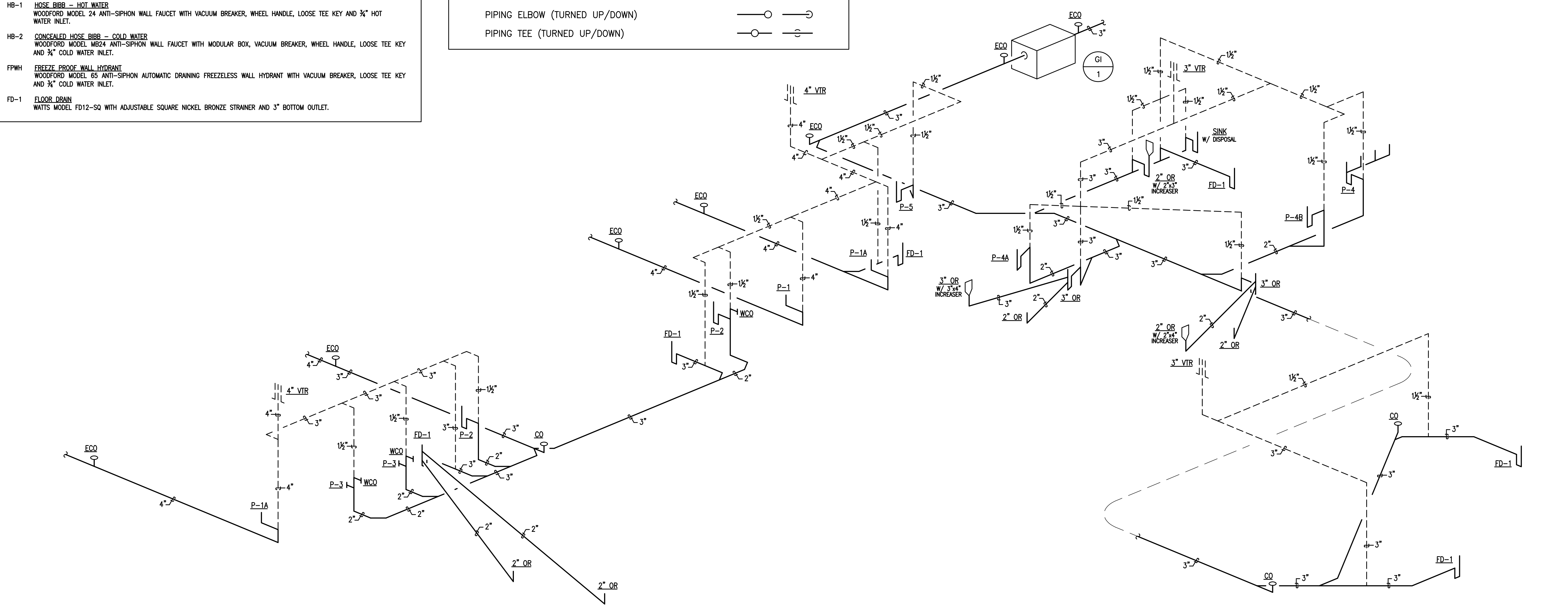
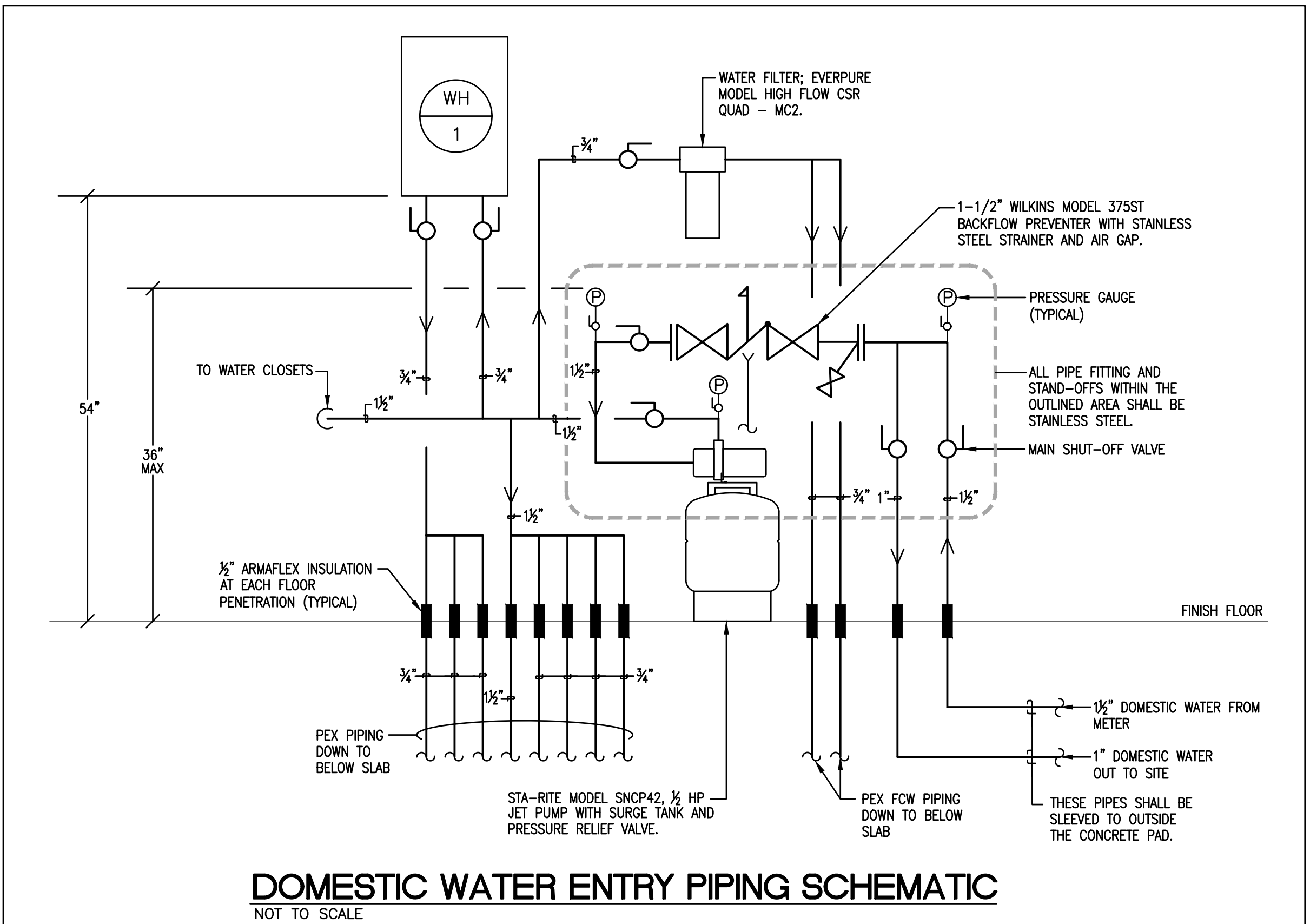
PANELBOARD AND WIRING SCHEDULE																			
PANELBOARD:		C			AMPERES:	225	VOLTAGE:	120/208	PHASE:	3	WIRE:	4	MANUF.:	SQUARE D	TYPE:	MODULAR			
GND	CON	LOAD			DESIGNATION	WIRE	BKR	CKT	CKT	BKR	WIRE	DESIGNATION	LOAD			CON	GND		
		A	B	C									A	B	C				
10	3/4"	2.5			BEAN TO CUP MACHINE	10	30/2	1	2	GFI	12	TEA MACHINE	1.0			3/4"	12		
---	---		2.5		---	---	---	3	4	GFI	12	FOUNTAIN WALL RCP	0.2			3/4"	12		
12	3/4"			1.2	COFFEE BREWER	12	GFI	5	6	GFI	12	FOUNTAIN MACHINE			1.0	3/4"	12		
12	3/4"	0.2			BACK DELI WALL RCP	12	GFI	7	8	GFI	12	FOUNTAIN WALL RCP	0.2			3/4"	12		
12	3/4"		1.0		TOASTER - RCP	12	GFI	9	10	30/1	10	CAPPUCCINO			1.0	3/4"	10		
12	3/4"			1.5	INDUCTION RANGE - RCP	12	GFI	11	12	30/1	10	CHOCOLATE CAPPUCCINO			1.0	3/4"	10		
12	3/4"	1.0			BACK DELI WALL RCP	12	GFI	13	14	GFI	12	FRAPPE MACHINE	1.0			3/4"	12		
12	3/4"		1.0		BAKED GOODS RECEPTACLE	12	GFI	15	16	30/2	10	BEAN TO CUP MACHINE			2.5	3/4"	10		
12	3/4"			1.2	FROZEN CARB. BEVERAGE	12	20/2	17	18	---	---	---			2.5	---	---		
---	---		1.2		---	---	---	19	20	GFI	12	FREAL FREEZER	1.2			3/4"	12		
12	3/4"			1.2	FREAL MXER	12	GFI	21	22	20/3	12	MAU COMPRESSOR			0.8	3/4"	12		
12	3/4"			1.0	MICROWAVE	12	20/1	23	24	---	---	---	0.8			---	---		
12	3/4"	1.0			BEER CAVE DOORS	12	20/1	25	26	---	---	---	0.8			---	---		
12	3/4"		1.0		COOLER DOORS	12	20/1	27	28	GFI	12	MICROWAVE			1.2	3/4"	12		
12	3/4"			1.0	BEER CAVE EVAPORATOR	12	20/1	29	30	30/1	10	MAU FAN			1.9	3/4"	10		
12	3/4"	1.5			COOLER EVAPORATOR	12	20/1	31	32	30/2	10	BEAN TO CUP MACHINE	2.5			3/4"	10		
12	3/4"			1.5	COOLER EVAPORATOR	12	20/1	33	34	---	---	---	2.5			---	---		
12	3/4"			1.0	ICE CHEST	12	GFI	35	36	GFI	12	FREZER - RCP			1.0	3/4"	12		
12	3/4"	1.0			ICE CHEST	12	GFI	37	38	GFI	12	REFRIGERATED CASE	0.4			3/4"	12		
12	3/4"		0.2		FOUNTAIN WALL RCP	12	GFI	39	40	50/2	8	STEAM TABLE			2.6	3/4"	10		
12	3/4"			0.2	FOUNTAIN WALL RCP	12	GFI	41	42	---	---	---			2.6	---	---		
10	3/4"	1.7			ICE MAKER - INDOOR UNIT	10	20/2	43	44	GFI	12	FRONT DELI WALL RECEPTACLE	0.2			3/4"	12		
---	---		1.7		---	---	---	45	46	GFI	12	REFRIGERATED PREP TABLE			1.0	3/4"	12		
---	---				SPARE	---	---	47	48	GFI	12	CARBONATION PUMPS			1.0	3/4"	12		
---	---				SPD	---	---	49	50	30/1	10	HOOD EXHAUST FAN	1.9			3/4"	10		
---	---				---	---	---	51	52	20/1	12	DELI ISLAND - RCP			1.0	3/4"	12		
---	---				---	---	---	53	54	GFI	12	FOUNTAIN WALL RCP							
		1																	

PLUMBING FIXTURE SPECIFICATIONS:

- P-1 **WATER CLOSET - FLUSH VALVE, FLOOR MOUNTED - STANDARD HEIGHT**
AMERICAN STANDARD MODEL 2234.015 "MADERA" VITREOUS CHINA, SIPHON JET, 1/2" TOP SPUD, ELONGATED BOWL WATER CLOSET WITH CHINA BOLT CAPS AND BEMIS MODEL 1955C WHITE OPEN FRONT SEAT WITH CHECK HINGE. FLUSH VALVE SHALL BE AS FOLLOWS:
- SLOAN OPTIMA MODEL 111-ES-S "REGAL PRO" SENSOR OPERATED 1.6 GPF WATER CLOSET FLUSH VALVE WITH TRANSFORMER AND POLISHED CHROME FINISH.
- P-1A **WATER CLOSET - FLUSH VALVE, FLOOR MOUNTED - ADA HEIGHT**
AMERICAN STANDARD MODEL 3043.102 "MADERA" VITREOUS CHINA, 17" HIGH, SIPHON JET, 1/2" TOP SPUD, ELONGATED BOWL WATER CLOSET WITH CHINA BOLT CAPS AND BEMIS MODEL 1955C WHITE OPEN FRONT SEAT WITH CHECK HINGE. INSTALL THE FLUSH VALVE ON THE "TOP" SIDE OF THE WATER CLOSET. FLUSH VALVE SHALL BE AS FOLLOWS:
- SLOAN OPTIMA MODEL 111-ES-S "REGAL PRO" SENSOR OPERATED 1.6 GPF WATER CLOSET FLUSH VALVE WITH TRANSFORMER AND POLISHED CHROME FINISH.
- P-2 **LAVATORY - BOWL INTEGRAL TO COUNTERTOP - INFRARED FAUCET**
REFER TO ARCHITECTURAL DRAWINGS AND SPECIFICATIONS FOR COORDINATION OF LAVATORY BOWL INTEGRAL TO COUNTERTOP. PROVIDE LAVATORY DRAIN WITH INTEGRAL PERFORATED STRAINER, 3/8" RIGID SUPPLIES WITH STOPS AND P-TRAP. LAVATORY TRIM SHALL BE AS FOLLOWS:
- SENSOR OPERATED FAUCET SHALL BE SLOAN OPTIMA MODEL ETI-600 WITH POLISHED CHROME-PLATED CAST BRASS FAUCET BODY, 0.5 GPM VANDAL RESISTANT AERATOR, MIXING VALVE AND TRANSFORMER.
- P-3 **URINAL - WALL HUNG - ADA**
TOTO MODEL UT105UG VITREOUS CHINA WALL-HUNG, 0.125 GPF URINAL WITH 3/4" TOP SPUD AND CONCEALED WALL HANGER BRACKETS. FLUSH VALVE SHALL BE AS FOLLOWS:
- SLOAN OPTIMA MODEL 186-0.125 DBP ESS SENSOR OPERATED 0.125 GPF URINAL FLUSH VALVE WITH TRANSFORMER AND POLISHED CHROME FINISH.
- P-4 **FOUR COMPARTMENT SINK**
JOHN BOOS MODEL E458-1620-14118 FOUR COMPARTMENT TYPE 300 STAINLESS STEEL SINK WITH 16"x20"x14" DEEP BOWLS, 9-3/4" HIGH BOXED BACKSPASH, (2) 18" DRAINBOARDS AND STAINLESS STEEL LEGS WITH SIDE BRACING, STAINLESS STEEL GUSSETS AND BULLET FEET. PROVIDE WITH (4) T&S B-5990 LEVER HANDLE WASTES, CHROME SUPPLIES, STOPS, TAILPIECE, P-TRAP, DRAIN AND ESCUTCHEONS. SINK TRIM SHALL BE AS FOLLOWS:
- (1) T&S BRASS MODEL B-0290 WALL MOUNTED FAUCET WITH 12" SWING SPOUT AND 4-ARM HANDLES.
- (1) T&S BRASS MODEL B-0287-427-BC WALL MOUNTED PRE-RINSE FAUCET WITH 12" SWING SPOUT, 44" FLEXIBLE STAINLESS STEEL HOSE, AND 4-ARM HANDLES.
- P-4A **HAND SINK - BOWL INTEGRAL TO COUNTERTOP - GOOSENECK FAUCET**
REFER TO ARCHITECTURAL DRAWINGS AND SPECIFICATIONS FOR COORDINATION OF LAVATORY BOWL INTEGRAL TO COUNTERTOP. PROVIDE LAVATORY DRAIN WITH INTEGRAL PERFORATED STRAINER, 3/8" RIGID SUPPLIES WITH STOPS AND P-TRAP. LAVATORY TRIM SHALL BE AS FOLLOWS:
- GOOSENECK FAUCET SHALL BE MOEN MODEL 8938 "SANI-STREAM" WITH POLISHED CHROME-PLATED CAST BRASS FAUCET BODY, 3-1/2" SPOUT, 2.0 GPM AERATOR AND WRIST BLADE HANDLES.
- P-4B **HAND SINK - WALL-HUNG**
MANSFIELD GRAND ISLE MODEL 2018HNS VITREOUS CHINA LAVATORY WITH 4" CENTER FAUCET HOLES. PROVIDE CONCEALED ARM CARRIER, LAVATORY DRAIN WITH INTEGRAL PERFORATED STRAINER, 3/8" RIGID SUPPLIES WITH STOPS AND P-TRAP AND ADA COMPLIANT TRAP WRAP. MOUNT LAVATORY AT ADA HEIGHT. LAVATORY TRIM SHALL BE AS FOLLOWS:
- SINGLE HANDLE FAUCET SHALL BE AMERICAN STANDARD RELIANT 3 MODEL 7385.004 WITH POLISHED CHROME-PLATED CAST BRASS FAUCET BODY WITH 1.2 GPM AERATOR.
- P-5 **MOP BASIN - 24"x24" - RECESSED IN FLOOR**
ZURN MODEL Z1996-24 MOP SERVICE BASIN WITH MOLDED HIGH DENSITY COMPOSIT BASIN, PVC DRAIN BODY, STAINLESS STEEL STRAINER AND 3" GASKETED OUTLET CONNECTION. BASIN SHALL BE RECESSED IN CONCRETE FLOOR. REFERENCE DETAIL ON DRAWING A-551 FOR ADDITIONAL INFORMATION.
- P-6 **ICE MAKER CONNECTION BOX**
IPS CORPORATION WATER-TITE MODEL AB9702HA ICE MAKER OUTLET BOX WITH INTEGRAL WATER HAMMER ARRESTOR AND PRELOADED NAILS. FIELD PAINT EXPOSED PORTION OF BOX TO MATCH ADJACENT WALL SURFACES. VERIFY PIPE CONNECTION TYPE PRIOR TO ORDERING.
- HB **HOSE BIBB - COLD WATER**
WOODFORD MODEL 24 ANTI-SIPHON WALL FAUCET WITH VACUUM BREAKER, REMOVABLE KEYED HANDLE, LOOSE TEE KEY AND 3/4" COLD WATER INLET.
- HB-1 **HOSE BIBB - HOT WATER**
WOODFORD MODEL 24 ANTI-SIPHON WALL FAUCET WITH VACUUM BREAKER, WHEEL HANDLE, LOOSE TEE KEY AND 3/4" HOT WATER INLET.
- HB-2 **CONCEALED HOSE BIBB - COLD WATER**
WOODFORD MODEL MB24 ANTI-SIPHON WALL FAUCET WITH MODULAR BOX, VACUUM BREAKER, WHEEL HANDLE, LOOSE TEE KEY AND 3/4" COLD WATER INLET.
- FPWH **FREEZE PROOF WALL HYDRANT**
WOODFORD MODEL 65 ANTI-SIPHON AUTOMATIC DRAINING FREEZELESS WALL HYDRANT WITH VACUUM BREAKER, LOOSE TEE KEY AND 3/4" COLD WATER INLET.
- FD-1 **FLOOR DRAIN**
WATTS MODEL FD12-SQ WITH ADJUSTABLE SQUARE NICKEL BRONZE STRAINER AND 3" BOTTOM OUTLET.

PLUMBING LEGEND

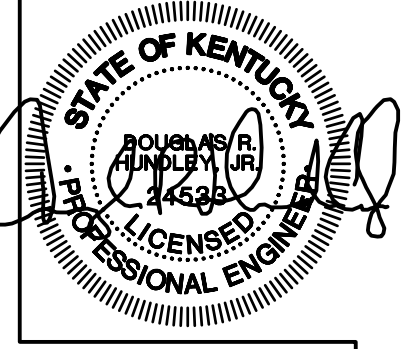
ABOVE FINISHED FLOOR	AFF
AREA DRAIN	AD
CLEANOUT	CO
COLD WATER	CW
ELECTRICAL CONTRACTOR	EC
EXTERIOR CLEANOUT (PVC FEMALE ADAPTER W/ BRASS CAP)	ECO
FLOOR DRAIN	FD
FREEZE PROOF WALL HYDRANT	FPWH
GENERAL CONTRACTOR	GC
GREASE INTERCEPTOR	GI
HOSE BIBB	HB
HOT WATER	HW
MECHANICAL CONTRACTOR	MC
OPEN RECEPTACLE	OR
PLUMBING CONTRACTOR	PC
POLYVINYL CHLORIDE	PVC
TYPICAL	TYP
VENT THROUGH ROOF	VR
WATER HEATER	WH
SANITARY PIPING	— SAN —
GREASE WASTE PIPING	— GL —
STORM PIPING	— SS —
SANITARY VENT PIPING	— V —
DOMESTIC COLD WATER PIPING	— — —
DOMESTIC HOT WATER PIPING (110° F)	— — —
FILTERED COLD WATER	— FCW —
NATURAL GAS PIPING	— G —
PRESSURE GAUGE	— P —
SOLENOID VALVE	— SV —
GAS SHUT-OFF VALVE	— SV —
BALL VALVE	— BV —
SHUT-OFF VALVE AT EQUIPMENT	— BV —
BALL VALVE IN RISER	— BV —
PIPING ELBOW (TURNED UP/DOWN)	— E —
PIPING TEE (TURNED UP/DOWN)	— T —



SANITARY WASTE AND VENT RISER DIAGRAM (OPPOSITE HAND FROM FLOOR PLAN)

1
P1.01

PROJECT NO:
20-4089
DRAWN BY:
WTD
DATE:
01/15/2021



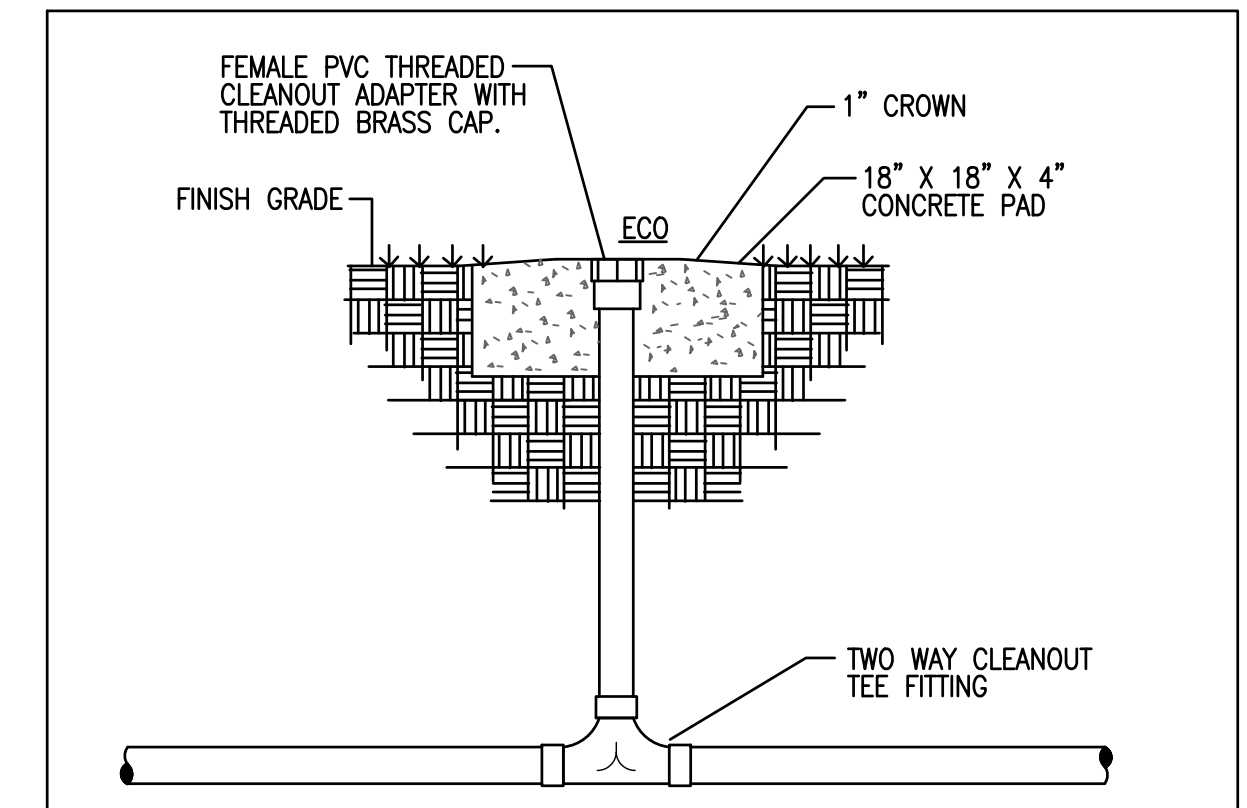
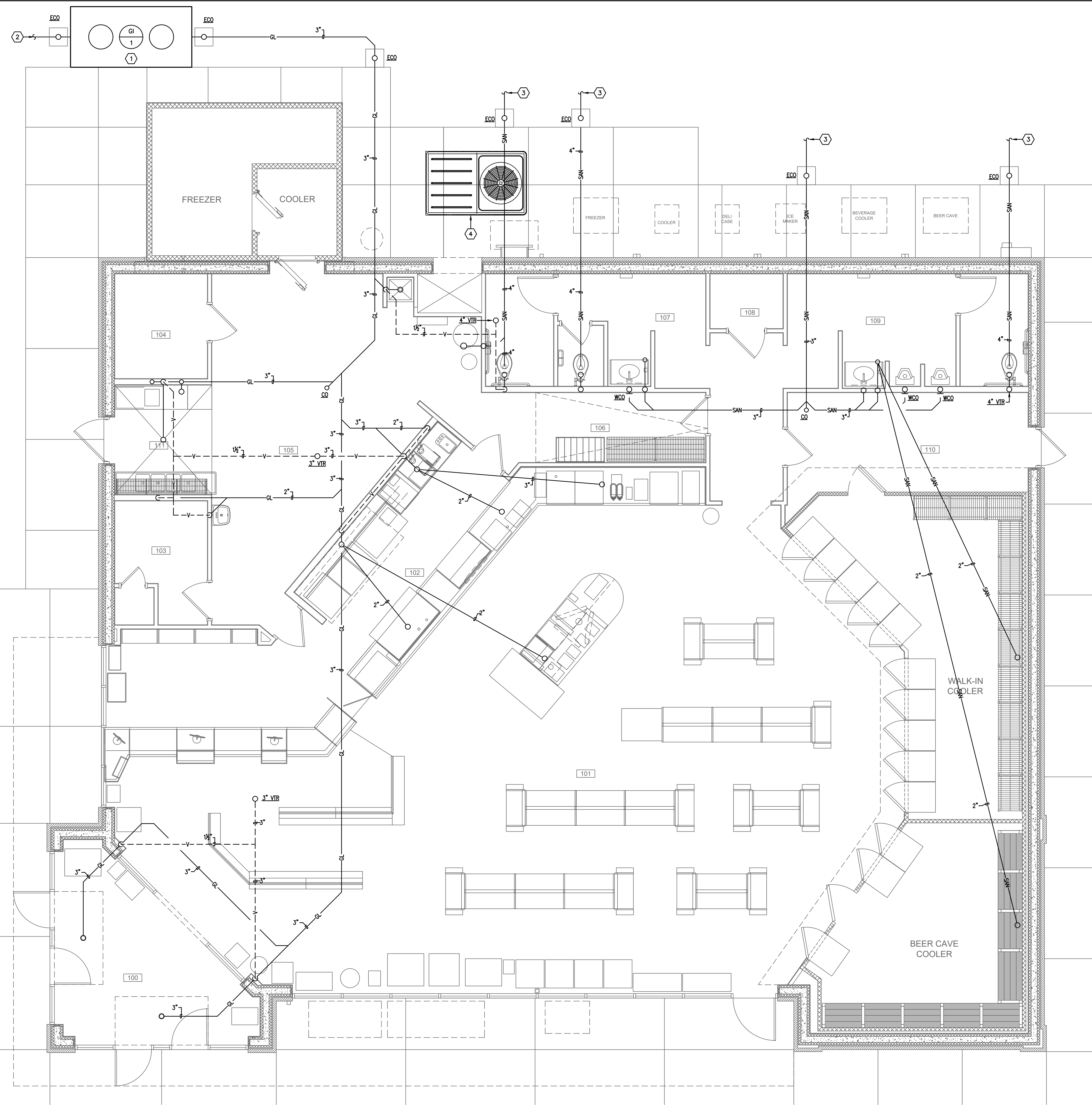
CMTA
10411 Meeting Street, Prospect, Kentucky 40059
502.326.3085 f 502.326.2891 www.cmtaengs.com

KEYES ARCHITECTS & ASSOCIATES
4717 PRESTON HIGHWAY
LOUISVILLE, KENTUCKY 40213 (502) 636-5113

NEWCOMB OIL CO., LLC.
FIVESTAR STORE #4950
38 DEAD READY LN.
LEBANON, KY 40033

PLUMBING LEGEND AND DETAILS

P1.01



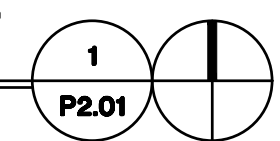
2-WAY EXTERIOR CLEANOUT DETAIL
NOT TO SCALE

- PLUMBING TAG NOTES:**
1. FURNISH AND INSTALL A 1000 GALLON PRECAST CONCRETE GREASE TRAP. EXACT LOCATION SHALL BE SITE SPECIFIC AND DETERMINED BY OWNER.
 2. 3" SANITARY OUT TO SITE 5'-0". REFERENCE CIVIL DRAWINGS FOR CONTINUATION. COORDINATE EXACT LAYOUT OF EXTERIOR SANITARY WITH OWNER AND SITE PLAN PRIOR TO ROUGH-IN.
 3. 4" SANITARY OUT TO SITE 5'-0". REFERENCE CIVIL DRAWINGS FOR CONTINUATION. COORDINATE EXACT LAYOUT OF EXTERIOR SANITARY WITH OWNER AND SITE PLAN PRIOR TO ROUGH-IN.
 4. CONDENSATE LINE FROM HVAC EQUIPMENT SHALL BE CONNECTED TO THE DOWNSPOUT COLLECTION DRAIN LINE.

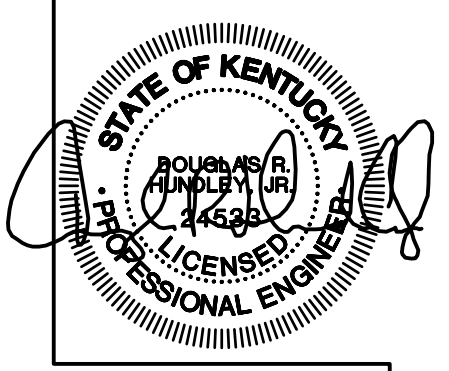
- PLUMBING GENERAL NOTES:**
- A. PLUMBING CONTRACTOR SHALL PROVIDE AS-BUILT DRAWINGS WITH DIMENSIONED LOCATIONS OF SANITARY, WATER AND GAS LINES. REFERENCE GENERAL NOTE "A" FOR PHOTOGRAPHING REQUIREMENTS. LOCATION, DIRECTION AND CORRESPONDING NUMBER OF EACH PHOTOGRAPH SHALL BE INDICATED ON THE AS-BUILT DRAWINGS.
 - B. THE OWNER SHALL CHECK WALLS FOR LOCATIONS OF ALL PLUMBING LINES PRIOR TO DRYWALL BEING INSTALLED.
 - C. PLUMBING CONTRACTOR SHALL CAULK OR FOAM ALL WALL/CEILING PENETRATIONS MADE AS A RESULT OF PLUMBING PIPING INSTALLATION PRIOR TO INSULATION BEING INSTALLED TO IMPROVE THE VAPOR BARRIER. COORDINATE THIS WORK WITH THE GENERAL CONTRACTOR.
 - D. THE FOUR COMPARTMENT SINK LIP SHALL BE SET AT 39" ABOVE FINISH FLOOR.
 - E. ALL TRENCHES UNDER PAVEMENT SHALL BE FILLED WITH STONE.
 - F. ALL TOILET FLANGES SHALL BE CAST IRON OR STAINLESS STEEL.
 - G. ALL INTERIOR AND EXTERIOR DOMESTIC WATER PIPING SHALL BE CROSS-LINKED POLYETHYLENE (PEX OR EQUAL).
 - H. ALL INTERIOR DOMESTIC WATER LINES SHALL BE 3/4" MINIMUM. WATER LINES SERVING FLUSH VALVES SHALL BE 1/2".
 - I. ALL DOMESTIC WATER LINES ENTERING AND EXITING THE BUILDING BELOW GRADE SHALL BE INSTALLED IN A SLEEVE FROM THE POINT WHERE THEY PENETRATE THE FLOOR TO BEYOND THE BLACK CONCRETE OR THE EQUIPMENT PAD, DEPENDING ON WHAT DIRECTION THEY EXIT THE BUILDING.
 - J. ALL WATER LINES SHALL BE SPACED 2" APART WHERE THEY PENETRATE THE FLOOR SLAB FOR EASE OF FUTURE MAINTENANCE.
 - K. ALL SHUT-OFF VALVES ON DOMESTIC WATER LINES SHALL BE TAGGED WITH 3/8"x1/2" ENGRAVED LAMINATED OR BRASS TAGS.
 - L. PLUMBING CONTRACTOR SHALL FURNISH AND INSTALL A FIVE POUND ANODE ON ALL FREEZE PROOF WATER HYDRANTS. GENERAL CONTRACTOR SHALL PROVIDE THE OWNER WITH PHOTOGRAPHS OF ALL ANODES TO VERIFY INSTALLATION.
 - M. GAS AND WATER UTILITY ENTRANCES INTO THE BUILDING SHALL BE SLEEVED TO OUTSIDE THE CONCRETE PADS.
 - N. PRIOR TO TOILETS BEING SET, THE PLUMBING CONTRACTOR SHALL VERIFY FLATNESS OF THE FLOOR WITH THE GENERAL CONTRACTOR TO ENSURE EACH TOILET WILL BE IN COMPLETE CONTACT WITH THE FLOOR AND NO SHIMS WILL BE REQUIRED.
 - O. EXTERIOR SEWER CLEANOUTS SHALL BE PLACED WHERE INDICATED ON THE PLANS AND/OR A MAXIMUM OF 95'-0" APART.
 - P. ALL OUTSIDE CLEANOUTS SHALL BE BRASS.
 - Q. ALL SANITARY AND GREASE WASTE PIPING SHALL BE SCHEDULE 40 PVC.

**FLOOR PLAN -
SANITARY WASTE AND VENT**

SCALE: 1/4"=1'-0"



PROJECT NO:
20-4089
DRAWN BY:
WTD
DATE:
01/15/2021



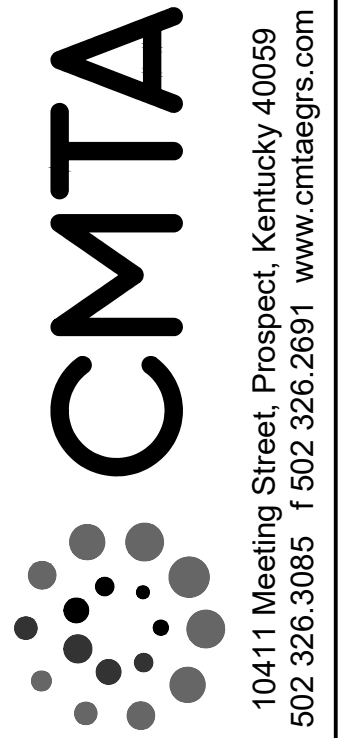
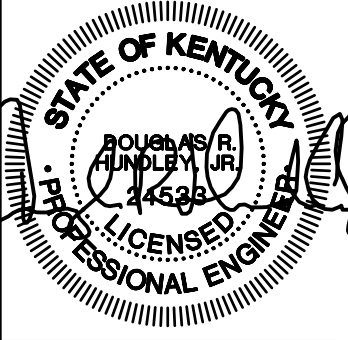
CMTA
10411 Meeting Street, Prospect, Kentucky 40059
502.326.3085 f 502.326.2891 www.cmtaegr.com

KEYES ARCHITECTS & ASSOCIATES
4717 PRESTON HIGHWAY
LOUISVILLE, KENTUCKY 40213 (502) 636-5113

FIVESTAR STORE #4950
NEWCOMB OIL CO., LLC.
38 DEAD READY LN.
LEBANON, KY 40033

FLOOR PLAN - SANITARY WASTE AND VENT

P2.01



KEYES ARCHITECTS & ASSOCIATES
4717 PRESTON HIGHWAY
LOUISVILLE, KENTUCKY 40213 (502) 636-5113

NEWCOMB OIL CO., LLC.
38 DEAD READY LN.
LEBANON, KY 40033

PLUMBING FIXTURE SCHEDULE

DESIGNATOR	FIXTURE	CW	HW	SAN	VENT
P-1	WATER CLOSET - FLOOR SET - FLUSH VALVE	1 1/4"	--	4"	2"
P-1A	WATER CLOSET - FLOOR SET - FLUSH VALVE - ADA	1 1/4"	--	4"	4"
P-2	LAVATORY - INTEGRAL TO COUNTERTOP	1/2"	1/2"	1 1/2"	1 1/2"
P-3	URINAL - ADA	3/4"	--	2"	1 1/2"
P-4	FOUR COMPARTMENT STAINLESS STEEL SINK	3/4"	3/4"	2"	1 1/2"
P-4A	ONE COMPARTMENT HAND SINK INTEGRAL TO COUNTERTOP	1/2"	1/2"	1 1/2"	1 1/2"
P-4B	WALL-HUNG HAND SINK	1/2"	1/2"	1 1/2"	1 1/2"
P-5	RECESSED MOP BASIN - 24"x24"	--	--	3"	1 1/2"
P-6	ICE MAKER CONNECTION BOX	1/2"	--	--	--
HB	COLD WATER HOSE BIBB	3/4"	--	--	--
HB-1	HOT WATER HOSE BIBB	--	3/4"	--	--
HB-2	CONCEALED COLD WATER HOSE BIBB	3/4"	--	--	--
FPWH	FREEZE-PROOF WALL HYDRANT	3/4"	--	--	--
FD-1	SQUARE TOP FLOOR DRAIN - 3" OUTLET	--	--	3"	1 1/2"

NOTES:

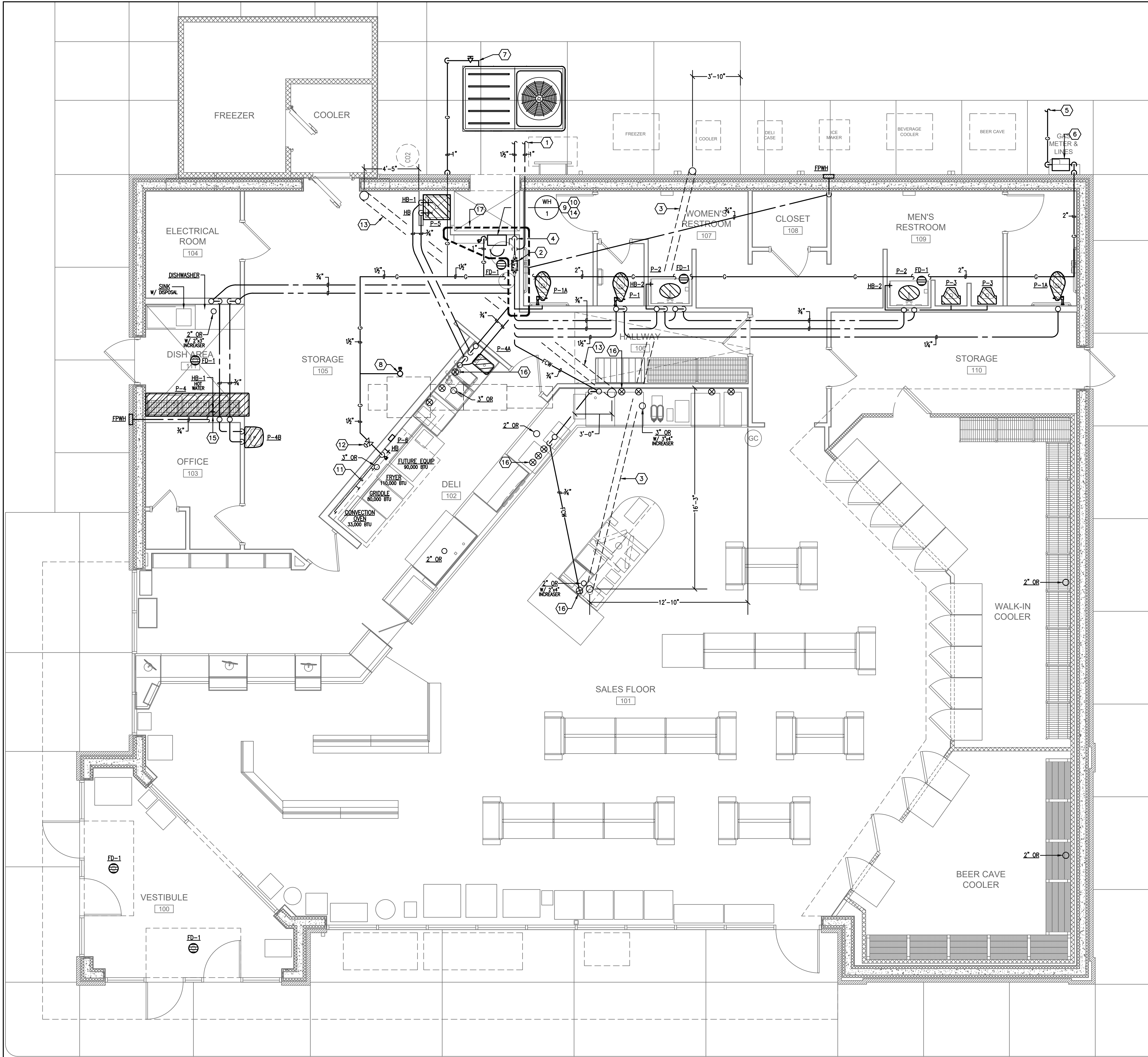
- PIPE SIZES ARE AS INDICATED UNLESS OTHERWISE NOTED ON FLOOR PLANS AND RISER DIAGRAMS.
- MINIMUM 2" SANITARY PIPING UNDERGROUND.
- PROVIDE ALL REQUIRED PIPING TO FIXTURES INDICATED ON THE FLOOR PLANS, INDICATED WITH A "P" DESIGNATION. PROVIDE PIPING OF SIZE INDICATED IN THIS SCHEDULE.
- PIPE ALL EQUIPMENT (SUPPLIED BY OTHERS) AS REQUIRED TO OBTAIN A FULL AND OPERATIONAL SYSTEM PROVIDE BACKFLOW PROTECTION AS/IF REQUIRED BY THE DETAILS AND BY THE STATE PLUMBING CODE ALL EQUIPMENT SHALL BE CONNECTED PER THE MANUFACTURER'S REQUIREMENTS. THE PLUMBING CONTRACTOR SHALL ALSO INSTALL ANY DRAIN PIPING CONNECTIONS AND SPILL INDIRECTLY TO EITHER AN OPEN RECEPTACLE OR FLOOR DRAIN. REFER TO ARCHITECTURAL PLANS FOR EXACT PLACEMENT OF ALL EQUIPMENT.

PLUMBING TAG NOTES:

- (1) 1/2" and (1) 1" DOMESTIC WATER LINES OUT TO SITE. REFERENCE CIVIL DRAWINGS FOR CONTINUATION. WATER LINES MUST BE CONTINUOUS WITH NO JOINTS ALL THE WAY TO THE METER.
- FURNISH AND INSTALL 1/2" WILKINS MODEL 375 BACKFLOW PREVENTER WITH AIR GAP AND STRAINER. REFERENCE THE DOMESTIC WATER ENTRY PIPING SCHEMATIC ON DRAWING P1.01 FOR ADDITIONAL INFORMATION.
- FURNISH AND INSTALL 6" PVC SLEEVE BELOW SLAB WITH (2) 45° ELBOWS ON EACH END.
- (1) 1/2" and (1) 1" DOMESTIC WATER LINES UP FROM BELOW SLAB. REFERENCE DOMESTIC WATER ENTRY SCHEMATIC ON DRAWING P1.01 FOR ADDITIONAL INFORMATION.
- NATURAL GAS SERVICE OUT TO SITE. COORDINATE PIPE MATERIAL, SIZE AND GAS PRESSURE WITH LOCAL UTILITY COMPANY.
- FURNISH AND INSTALL NEW NATURAL GAS METER PER LOCAL UTILITY COMPANY REQUIREMENTS.
- EXTEND 1" GAS TO COOLING UNIT AND CONNECT. FURNISH AND INSTALL GAS SHUT-OFF VALVE AND 6" DIRT LEG.
- EXTEND 3/4" GAS TO MAKE-UP AIR UNIT ON ROOF AND CONNECT. FURNISH AND INSTALL 6" DIRT LEG AND GAS SOLENOID VALVE. INTERCONNECT GAS SOLENOID VALVE TO HOOD FIRE SUPPRESSION SYSTEM. COORDINATE THIS WORK WITH THE ELECTRICAL CONTRACTOR.
- EXTEND 1" GAS TO WATER HEATER AND CONNECT. FURNISH AND INSTALL GAS SHUT-OFF VALVE AND 6" DIRT LEG.
- WH-1 - FURNISH AND INSTALL A RINNAI MODEL RL75(VC2528FFUD-US), TANKLESS GAS FIRED WATER HEATER WITH MINIMUM INPUT OF 10,300 BTUH AND A MAXIMUM INPUT OF 180,000 BTUH.
- ROUTE 1/2" GAS HEADER LOW ON WALL BEHIND COOKING EQUIPMENT. FURNISH AND INSTALL GAS QUICK CONNECT AND GAS SHUT-OFF VALVE AT EACH PIECE OF EQUIPMENT AND PROVIDE (1) 3/4" QUICK CONNECT AND GAS SHUT-OFF VALVE FOR FUTURE CONNECTION.
- FURNISH AND INSTALL GAS SOLENOID VALVE. INTERCONNECT WITH HOOD FIRE SUPPRESSION SYSTEM.
- FURNISH AND INSTALL 8" PVC SLEEVE BELOW SLAB WITH (2) 45° ELBOWS ON EACH END.
- APPROXIMATE LOCATION OF PRESSURE ASSIST PUMP. REFERENCE DOMESTIC WATER ENTRY PIPING SCHEMATIC ON DRAWING P1.01 FOR ADDITIONAL INFORMATION.
- HOSE BIBB SHALL BE MOUNTED 18" ABOVE FINISH FLOOR AND 64" OFF OF THE INSIDE CORNER BY THE FOUR COMPARTMENT SINK.
- FURNISH AND INSTALL A ZURN MODEL QCM43-6GX COPPER MANIFOLD AT EACH GROUP OF SHUT-OFF VALVES LOCATED WITHIN CABINET SPACE.
- PROVIDE BRASS TAG LABELS AND SHUTOFF VALVES IN THIS AREA FOR WATER PIPING AT EACH WALL OR FLOOR PENETRATION.

NEW GAS METER LOAD:

HVAC AIR HANDLING UNIT -	150,000 BTUH
DOMESTIC WATER HEATER -	180,000 BTUH
MAKE-UP AIR UNIT -	109,600 BTUH
KITCHEN EQUIPMENT -	313,000 BTUH
TOTAL CONNECTED LOAD -	752,600 BTUH



FLOOR PLAN - WATER AND GAS

SCALE: 1/8"=1'-0"

