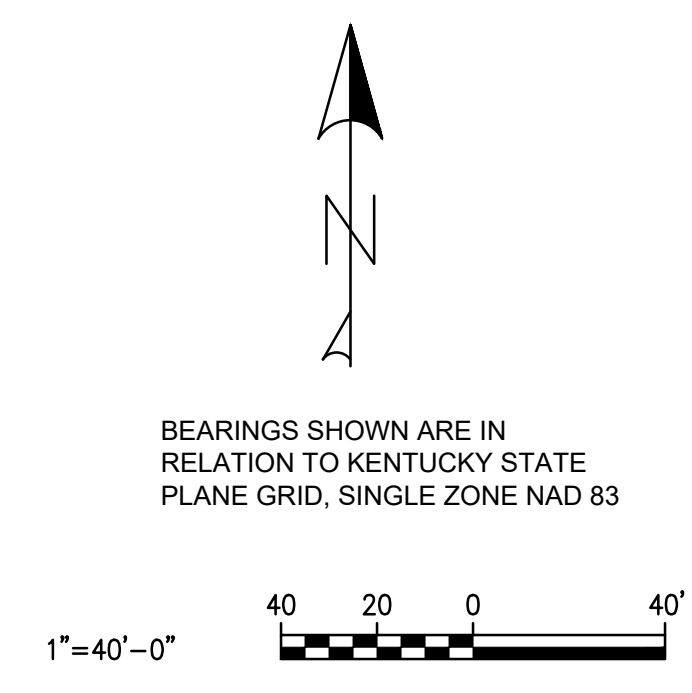


VICINITY MAP
NTS



Know what's below.
Call before you dig.



DATE	REVISION DESCRIPTION

CONCEPTUAL LAYOUT PLAN
BLEND PAK EXPANSION
BCD, INC.
547 SPENCER MATTINGLY LANE
BARDSTOWN, KENTUCKY 40004

Palmer
ENGINEERING

PALMER ENGINEERING
301 EAST MAIN STREET
BARDSTOWN, KY 40007
502-389-9293

JOB NUMBER: DATE: 01/13/2022
SHEET: C-1.0 SCALE: 1" = 40'

DRAWN: RMT
CHECKED: WCE